



Vertical cassette blind

## **markilux 625 tracfix**

Vertical cassette blind for large areas with tracfix cover guidance system.

01 **Product characteristics**

Wind resistance class 2 | 3 (depending on size)  
Beaufort 5 → 28–37 km/h → 7.5–10.4 m/s → 17–23 mph  
Beaufort 6 → 38–48 km/h → 10.5–13.4 m/s → 24–30 mph

02 side view



unit when closed

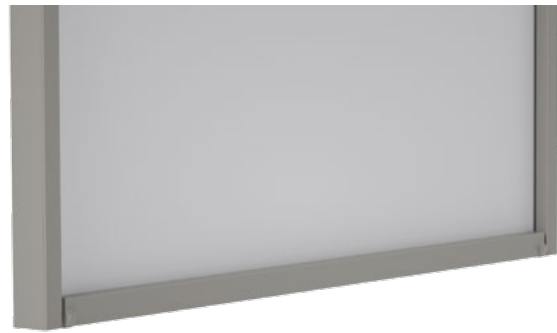


06

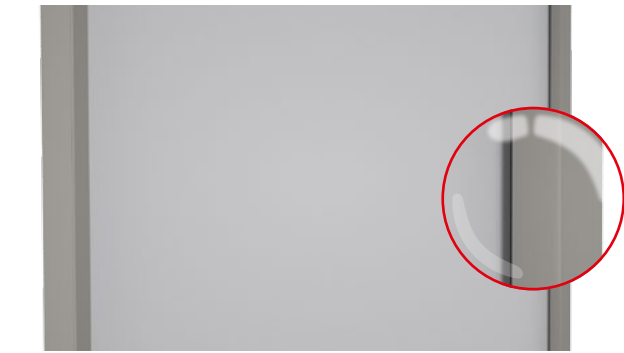
07 reveal fixture



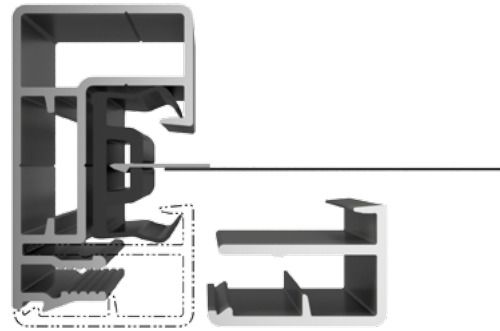
front profile finishes flush with the end of the guide tracks



14 with tracfix system, without gap between cover and guide track



cover guidance system in the tracfix profile



section of guide rail with tracfix profile

fitted to a markilux construct



## Product characteristics

### Description

- vertical cassette blind with angled guide rails and gravity-fed cover tensioning system – for areas up to 22 m<sup>2</sup> in size.

### Special features

- fully encompassing cassette that protects the cover perfectly
- attractive appearance without visible screws
- supplied as standard with a hard-wired motor
- with tracfix system, the continuous lateral cover guidance system that leaves no gap between the cover and guide tracks – gives improved wind stability and a cleaner appearance
- good blind closure guaranteed by virtue of the small protuberances on the bottom profile end caps that close firmly against the cassette
- fixture directly through the angled rails – the cassette is positioned right against the wall
- can be combined perfectly with the blind systems markilux markant and markilux construct

### Dimensions

- single unit: 70–600 cm in width, maximum height 400 cm (depending on the width)
- maximum width × height: 550 cm × 400 cm / 600 cm × 350 cm
- intermediate sizes are available

### Roller tube and lateral bearings

- round roller tube Ø 85 mm with keyway, galvanised steel
- the roller tube bearing is made of stainless steel

### Blind profiles

- extruded aluminium, in façade quality powder coated
- cassette profile in one piece, oblong, height × depth 135 mm × 125 mm
- angled guide rails in two pieces, width × depth 27 mm × 48 mm
- bottom profile angular, height × depth 32 mm × 40 mm

### Side caps

- the cassette end caps are made of die-cast aluminium, powder coated
- the bottom profile end caps are made of high-quality plastic, powder coated

### Fixture brackets

- self-supporting cassette attached to the top of the angled guide rails
- without brackets, fixture directly through the angled guide rails, face or reveal fixture

01 **Frame colours**

02 markilux blind colours without surcharge

03 traffic white RAL 9016



06 metallic aluminium RAL 9006



09 grey brown, similar to RAL 8019

12 off-white textured finish, 5233 <sup>1)</sup>15 stone grey metallic, 5215 <sup>1)</sup>18 anthracite metallic, 5204 <sup>1)</sup>21 Havana brown textured finish, 5229 <sup>1)</sup>**Non-standard powder-coated finish**

Bespoke frame colours at a surcharge – matt, metallic and pearl finishes as well as other colour ranges (DB, Tiger etc.) on request. All frame colours are available at a surcharge with enhanced corrosion protection.

**1)** textured finish

Colours may differ slightly from those depicted in both hue and finish.

# Dimensions and configuration options

Single unit

		Overall blind width									
		150	200	250	300	350	400	450	500	550	600
Order dimensions		70	151	201	251	301	351	401	451	501	551
		150	200	250	300	350	400	450	500	550	600
AH	150 <sup>1)</sup>										
	200										
	250										2)
	300							2)	2)	2)	2)
	350						2)	2)	2)	2)	2)
	400	2)	2)	2)	2)	2)	2)	2)	2)	2)	—

Blind minimum width	
Hard-wired motor	Radio-contr. motor
70	78

dimensions in cm

1) = smallest possible unit height 65 cm

2) = these sizes meet wind resistance class 2, all other sizes meet with wind resistance class 3.

AH = unit height

### Operation

	standard	optional
crank handle	—	—
crank handle, operation from the rear	—	—
crank handle, operation from inside the building	—	—
hard-wired motor	✓	—
radio-controlled motor io, 868 MHz	—	✓
radio-controlled motor RTS, 433 MHz	—	✓

### Coupled Blind

not available

### Optional accessories

automatic controls (light, wind, rain)

**N.B!** - Important background information can be found in the chapter "Optional Accessories".

Blind cover	fabric range no.	standard	optional	overall blind width	unit height	cover manuf.
sunvas	301.. / 309..-315..	✓	—			LN
sunsilk	324.. / 325.. / 328.. / 369..	✓	—			LN
perfortex	331.. / 332..	✓	—		≤ 300	LN
sunvas (250 cm)	31008, -09, -13, -16, -18, -25, 27, -28, -31, -36, -37, -57, -58, 31109, -14, -17	✓	—	≤ 250		N
				≥ 251 ≤ 400	≤ 240	N
transolair	338..	—	✓	≥ 251 ≤ 400	≥ 241	QN
sunvas (320 cm)	31008, -09	✓	—	≤ 300		N
				≥ 321 ≤ 400	≤ 310	N
				≥ 321 ≤ 400	≥ 311	QN
vuscreen Alu	317..	—	✓		≤ 250	N
Soltis Perform 92	92-20..	—	✓	≤ 177	≤ 300	N
				≥ 178 ≤ 400	≤ 170	N
				≥ 178 ≤ 400	≥ 171 ≤ 300	QN
				≥ 401 ≤ 500	≤ 300	LN
perla	370..	—	—			
perla FR	374.. / 375..	—	—			

dimensions in cm

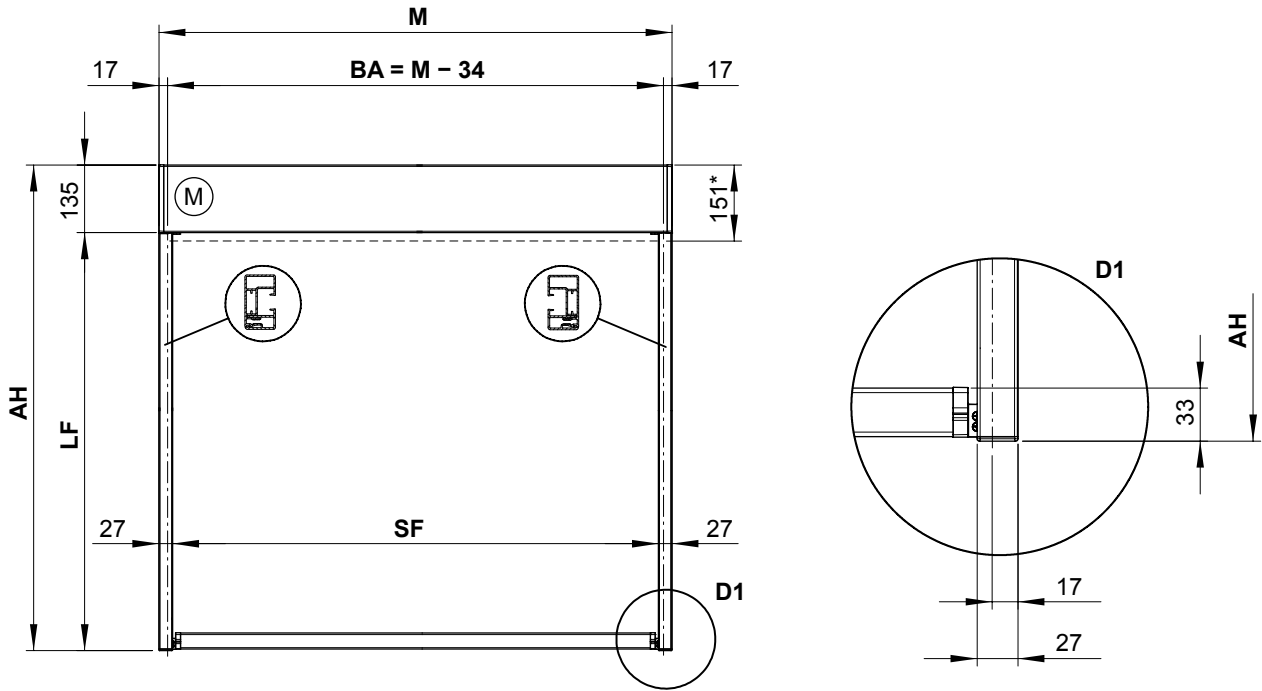
N = seamless

LN = vertical seams, panel width usually 120 cm

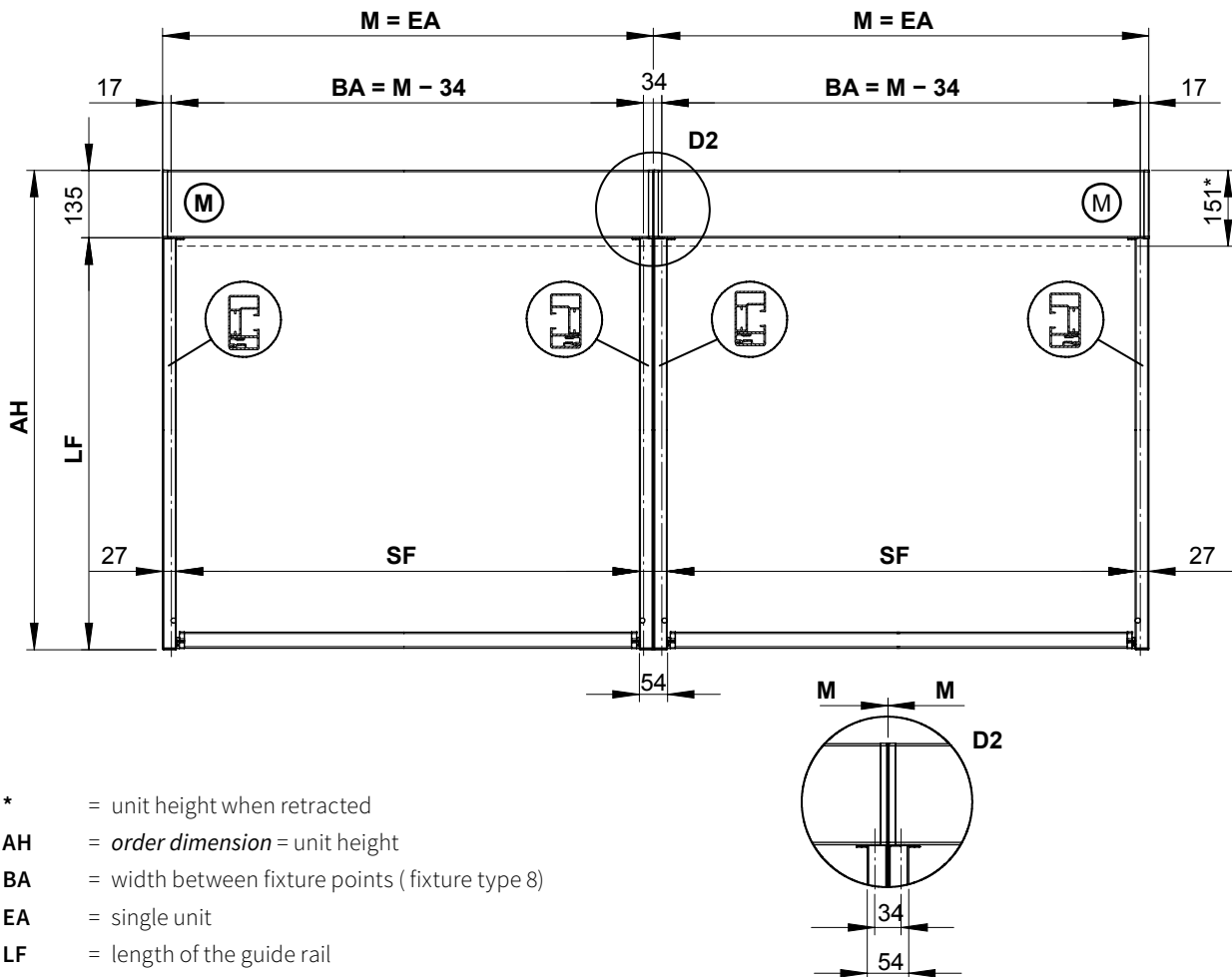
QN = horizontal seam

# Dimension overview

Single unit



Two single units

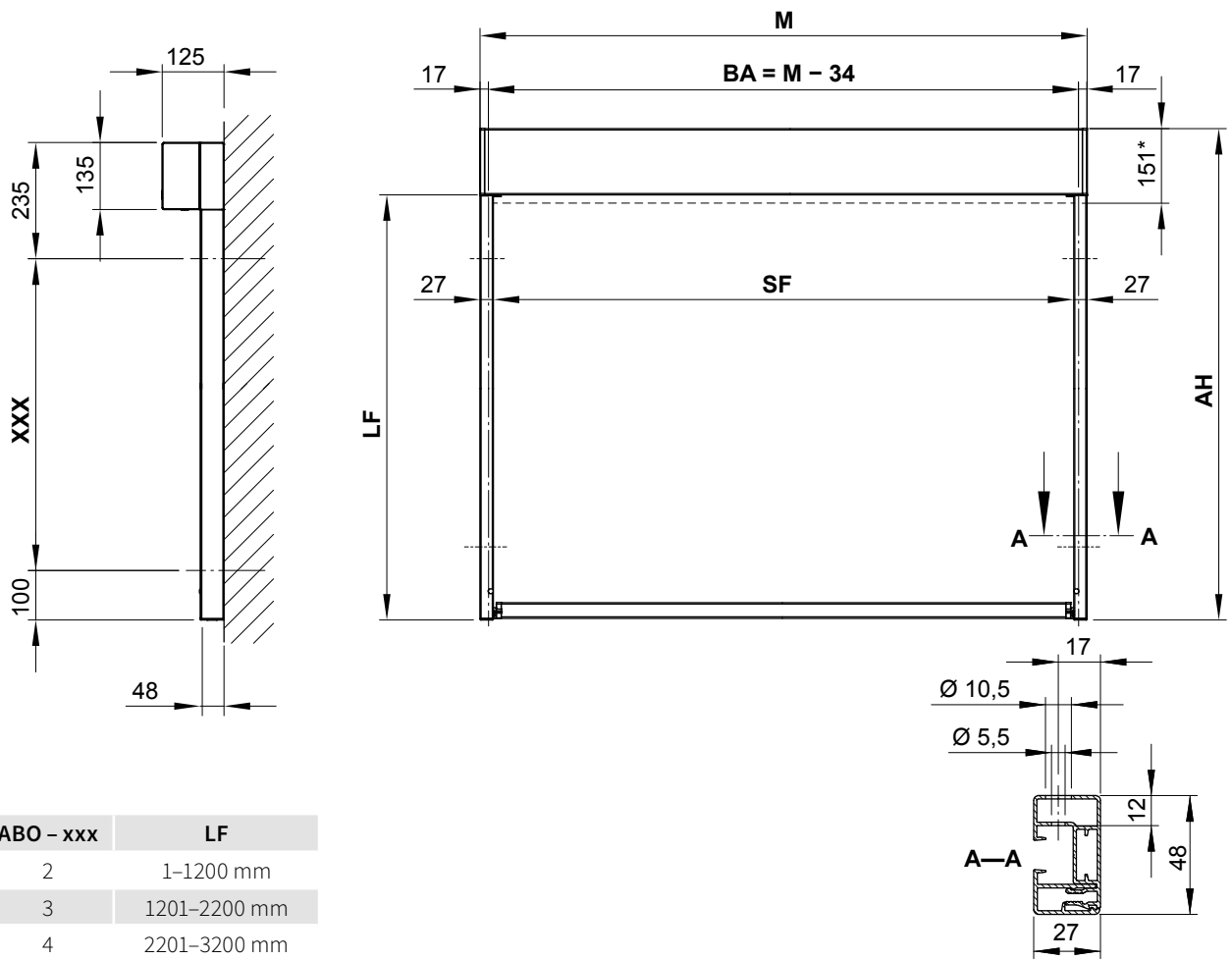


- \* = unit height when retracted
- AH = *order dimension* = unit height
- BA = width between fixture points ( fixture type 8)
- EA = single unit
- LF = length of the guide rail
- M = *order dimension* = blind width
- (M) = motor
- SF = visible cover area

dimensions in mm

# Dimension overview fixture combination 8

Face fixture



ABO - xxx	Lf
2	1-1200 mm
3	1201-2200 mm
4	2201-3200 mm
5	3201-4000 mm

- \* = unit height when retracted
- AH = *order dimension* = unit height
- ABO = number of drill holes in the range xxx
- BA = width between fixture points

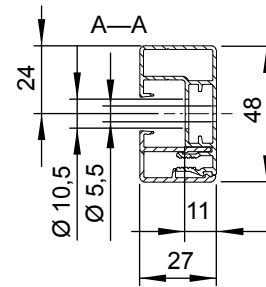
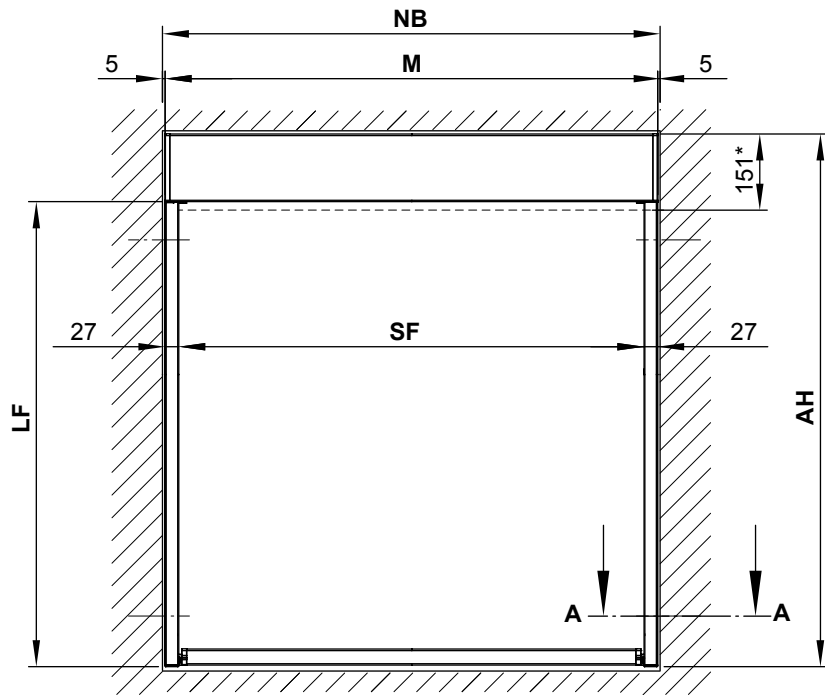
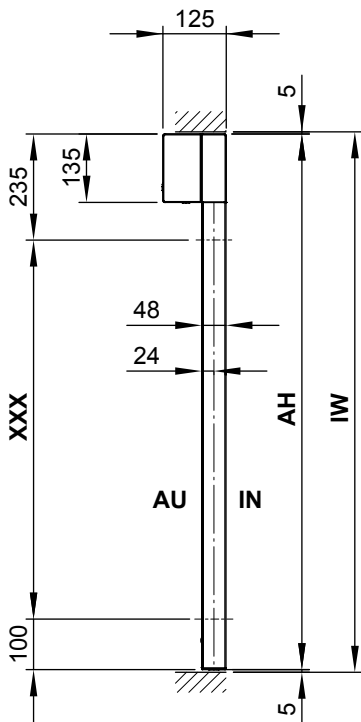
- Lf = length of the guide rail
- M = *order dimension* = blind width
- SF = visible cover area

dimensions in mm

01  
02  
03  
04  
05  
**06**  
07  
08  
09  
10  
11  
12  
13  
14  
15  
16  
17  
18  
19  
20

# Dimension overview fixture combination 9

Reveal fixture



ABO - xxx	LF
2	1-1200 mm
3	1201-2200 mm
4	2201-3200 mm
5	3201-4000 mm

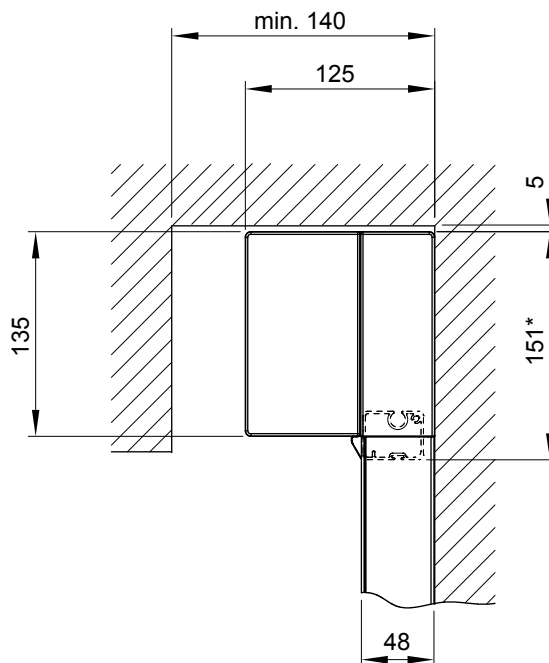
- \* = unit height when retracted
- AH** = order width = unit height = IW - 10 mm
- AU** = exterior
- ABO** = number of drill holes in the range xxx
- IN** = interior

- IW** = height of the opening
- LF** = length of the guide rail
- M** = *order dimension* = blind width
- NB** = reveal width
- SF** = visible cover area

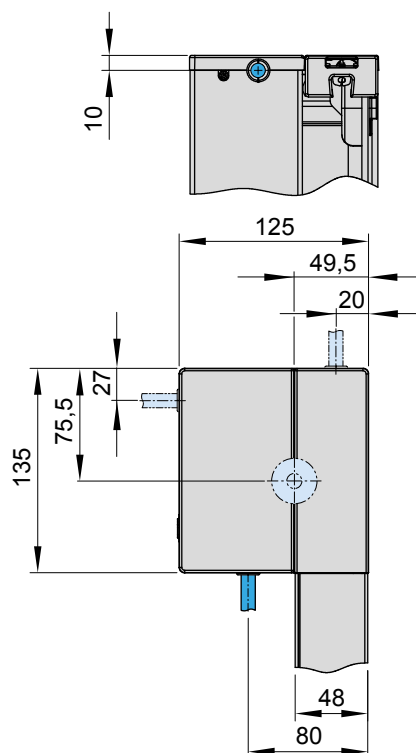
dimensions in mm



### Reveal fixture in a top window well



### Motor cable exit point



\* = unit height when retracted

- = standard
- = optional

dimensions in mm

01  
02  
03  
04  
05  
**06**  
07  
08  
09  
10  
11  
12  
13  
14  
15  
16  
17  
18  
19  
20

01

02

03

04

05

**06**

07

08

09

10

11

12

13

14

15

16

17

18

19

20