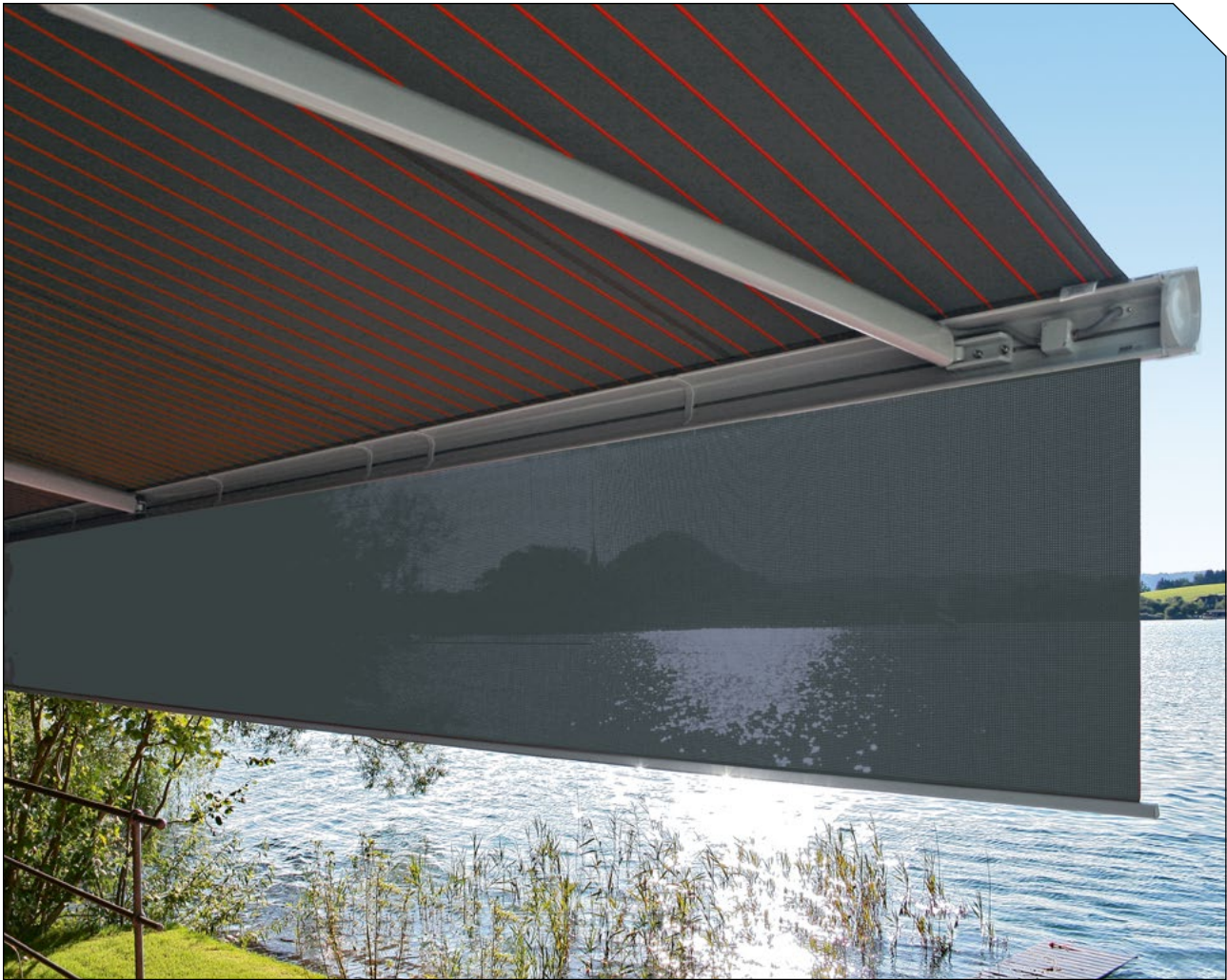




markilux Optional Accessories



markilux Shadeplus / Drop valance

Create new living space in the open air under the markilux 6000, 5010, 1500, 1600 / 1600 stretch and 1300 Basic

With a shadeplus – the awning within an awning – you can adjust the shade to your liking, regardless of the position of the sun. Without having to change the pitch of the awning itself you can extend the shadeplus to provide just the right amount of shade – down to a maximum drop of 210 cm*!

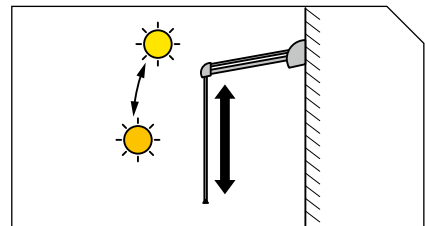
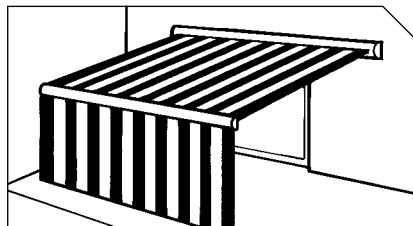
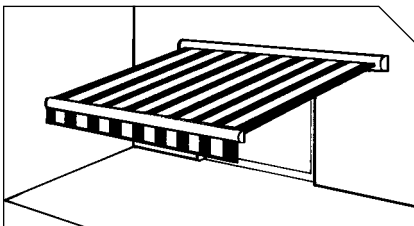
As an alternative to a gearbox with stainless steel winding handle the shadeplus for the markilux 1600 und markilux 6000 can be fitted with a motor drive.

The shadeplus cover is weighted with a bottom lath. This perfect means of protecting yourself from the sun – and from

inquisitive glances – creates a cosy living area outdoors. During the day it excludes the sun and in the evening it keeps the cool air at bay, it softens sounds from within and muffles noises from without.

In contrast to awnings which only give „more shade” by being tilted at a greater angle, those fitted with the markilux shadeplus still provide a maximum of headroom – so giving the immediate impression of realising „more space”.

On request, existing markilux folding-arm awnings can be retrofitted with a shadeplus.



*depends on the awning model and choice of fabric, please refer also to the section „Technical Information”

markilux System coverboard

Protection with transparent lightness for the markilux 1700 / 1700 stretch and markilux 930 swing

The markilux system coverboard unites sheer elegance and sensible protection from rain and dirt. The slim aluminium profile of the system coverboard – powder coated the same as the awning – and the transparent Perspex sections underline the lightness of the open awning systems.

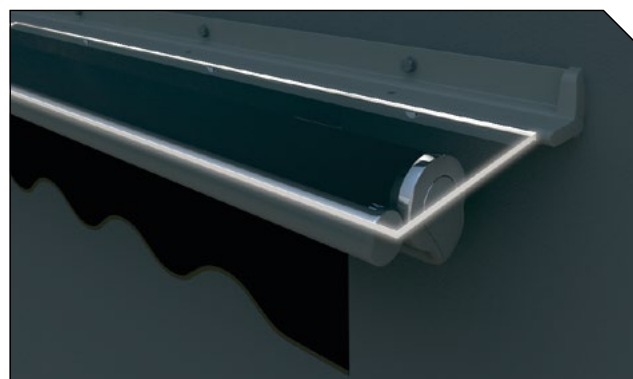
An LED light rope, that can be integrated into the profile,

is available as an optional extra. In the evening it provides a pleasant lighting effect. The lighting is operated via a standard On/Off switch.

Its modular design is easy to understand and means it can be fitted quickly. Details can be found in the chapters pertaining to the individual awnings.

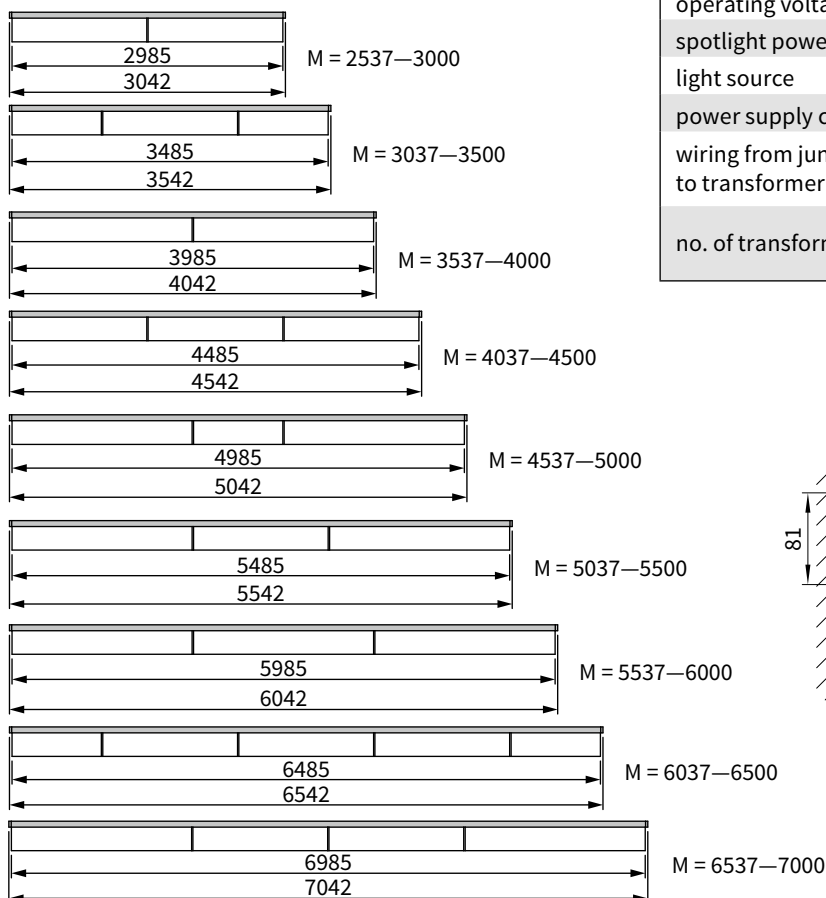


without lighting



with lighting, markilux flexlight

Available system coverboard widths and distribution of the Plexiglass sections



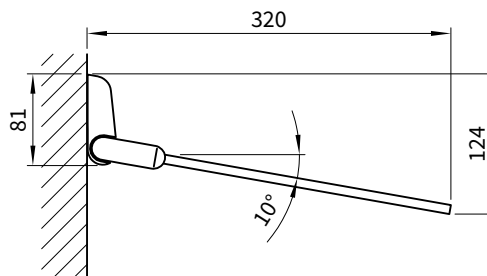
M = overall awning width

dimensions in mm

Technical specification

operating voltage	230 V, 50–60 Hz (2.5 A)
spotlight power output	3 W / meter, max. 21 W at 7 m
light source	LED rope light
power supply cable	3 × 0.75 mm ²
wiring from junction box to transformer	2 × 0.75 mm ²
no. of transformers	1 transformer

Side view



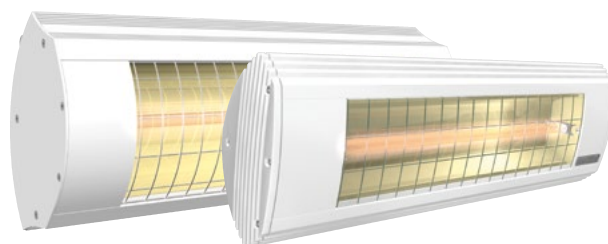
markilux Infrared heater

Cosy warmth when it starts to get cool



- radio remote control is possible with the Heat Receiver RTS using 433 MHz technology and with an external receiver in 868 MHz technology
- easy, variable fixture to any wall
- the heater direction can be adjusted via the fixture bracket
- wired to the mains by means of a connecting plug (Hirschmann)
- save at least 30% on energy costs in comparison with gas or quartz radiating heaters
- lamp life approximately 5,000 hours
- for the best results it should be fitted at a height of approx. 2 m
- order no. 8600220

- feel the warmth in an instant and enjoy more of the evening outside
- caressing warmth with no warming up phase and a pleasing lighting effect at the same time
- warms people and not the air
- creates noticeable warmth in the enclosed space under the awning within an area of approx. 9 to 12 m²
- the attractively designed, unobtrusive housing in aluminium is powder coated to match that of your markilux awning – non-standard RAL colours incur a surcharge
- the housing is weather and splash proof – the heater can stay in place all year round



Infrared Technology

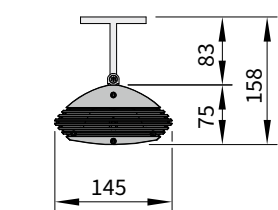
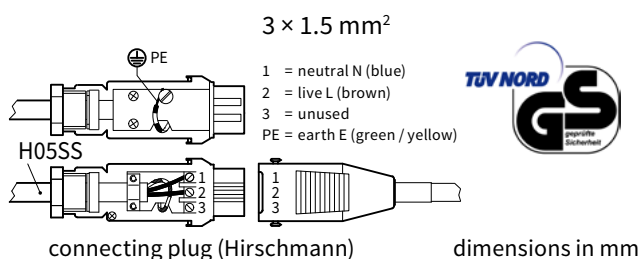
PHILIPS HeLeN

Technical specification

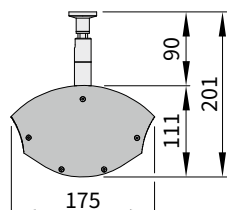
power supply	230 V, 50 Hz, slow fuse 16 A fuse (class C)	
wiring cross section	H05SS 3 × 1.5 mm ²	
power output (per infrared heater)	1400 W	2000 W
length × depth × height (mm)	460 × 145 × 75	445 × 175 × 111
weight (kg)	approx. 1.8	approx. 3.1

Effectiveness of the infrared heater

	Effectiveness			
	at the maximum fixture height		1400 W	2000 W
	Face fixture (optimum angle of inclination 20°)		Top fixture	
Wind strength	1400 W	2000 W	1400 W	2000 W
no wind (< 0.2 m/s)	100 %	100 %	100 %	100 %
moderate breeze (< 2.0 m/s)	69 %	78 %	65 %	89 %
strong breeze (< 4.0 m/s)	44 %	51 %	37 %	54 %



side view
infrared heater 1400 W



side view
infrared heater 2000 W

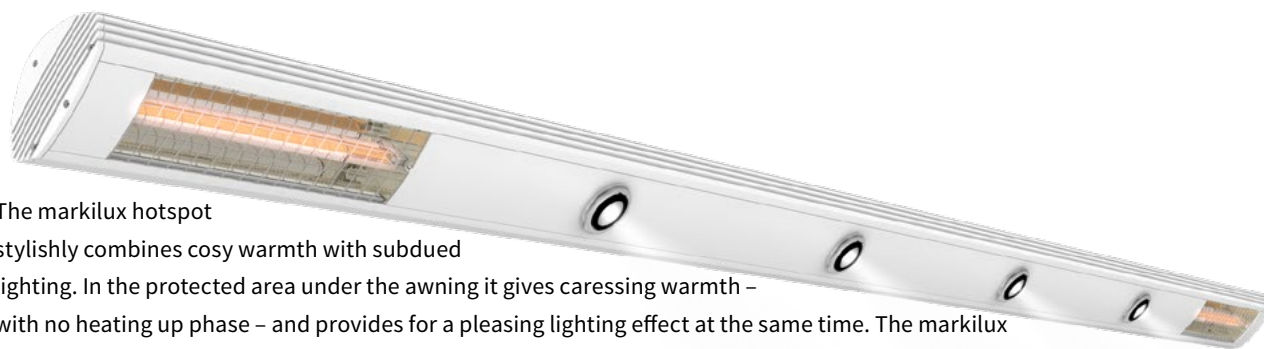
Housing colours

		standard	optional
traffic white	RAL 9016		
metallic aluminium	RAL 9006		
off-white textured finish	5233		
stone grey metallic	5215		
anthracite metallic	5204		
Havana brown textured finish	5229		
grey brown, similar to	RAL 8019		
non-standard powder-coated finish			

Colours similar to those in the RAL chart. Colours may differ slightly from those depicted in both hue and finish.

markilux hotspot

Warmth and light in stylish combination



The markilux hotspot stylishly combines cosy warmth with subdued lighting. In the protected area under the awning it gives caressing warmth – with no heating up phase – and provides for a pleasing lighting effect at the same time. The markilux hotspot can be fitted at any time – even at a later date – directly to the wall or soffit. It can be adjusted within a maximum range of 30° to each side. The built-in spotlights can be adjusted individually – they can be rotated through 360° and tilted up to 60°.

The attractively designed, unobtrusive housing in aluminium is powder coated to match that of your markilux awning – non-standard RAL colours incur a surcharge. The markilux hotspot is controlled via an On/Off switch. It is wired to the mains by means of a connecting plug (Hirschmann).

Order no. 8600309 traffic white (RAL 9016)

Order no. 8600308 metallic aluminium (RAL 9006)

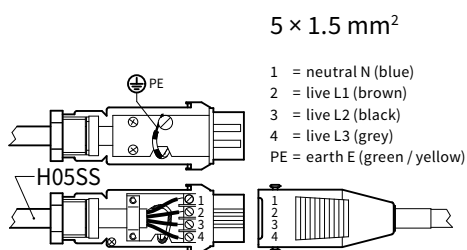
Order no. 8600349 in a non-standard powder-coated finish

Technical specification

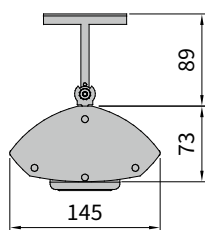
power supply	230 V, 50 Hz, slow 16 A fuse (class C)
protection level / protection class	IP24 / I
wiring cross section	H05SS-F 5G 5 × 1.5 mm ²
power output (infra-red heater)	2 × 1400 Watts
power output (spotlight)	4 × 20 Watts
no. of fixture brackets	3
length × depth × height (mm)	300 × 145 × 73
weight (kg)	12.2

Effectiveness of the infrared heater

Wind strength	Effectiveness (at the max. fixture height of 2.25 m)	
	Face fixture (optimum inclination angle 20°)	Top fixture
no wind (< 0.2 m/s)	100 %	100 %
moderate breeze (< 2.0 m/s)	69 %	65 %
strong breeze (< 4.0 m/s)	44 %	37 %



connecting plug (Hirschmann)



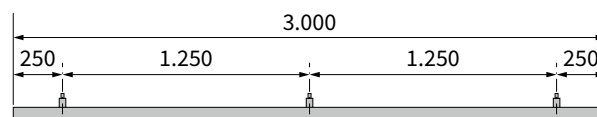
side view with a turn and tilt bracket

dimensions in mm

Housing colours

		standard	optional
traffic white	RAL 9016		
metallic aluminium	RAL 9006		
non-standard powder-coated finish			

Colours similar to those in the RAL chart. Colours may differ slightly from those depicted in both hue and finish.



4 spotlights with 2 infrared heaters, bracket quantity and distribution

01
02
03
04
05
06
07
08
09
10
11
12
13
14
15
16
17
18
19
20
21

22

23

markilux spotlight

The unobtrusive lighting bar



With the markilux spotlight the area underneath the awning is bathed evenly in a pleasant light.

The markilux spotlight with turn/tilt joint can also be retrofitted to the wall or ceiling. The built-in spotlights can be adjusted individually – they can be rotated through 360° and tilted by up to 60°.

The attractively designed, unobtrusive housing in aluminium is powder coated to match that of your markilux awning – non-standard RAL colours incur a surcharge.

The markilux spotlight is controlled via an On/Off switch. It is wired to the mains by means of a connecting plug (Hirschmann).

- Order nos. (200 cm with 3 Spots / 300 cm with 5 Spots):
 Order no. 8600267 / 8600279 traffic white (RAL 9016)
 Order no. 8600266 / 8600278 metallic aluminium (RAL 9006)
 Order no. 8600352 / 8600354 in non-standard powder-coated finish

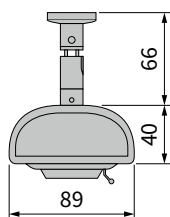
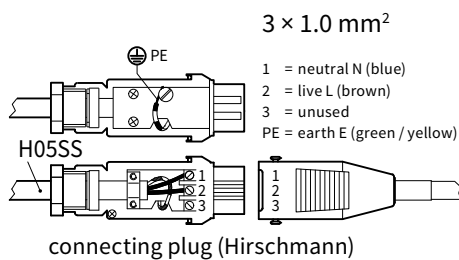
Technical specification

power supply	230 V, 50 Hz	
protection level / protection class	IP44 / I	
wiring cross section	H05RN-F 3G 3 × 1.0 mm ²	
power output (per spotlight)	20 Watt	
length (mm)	89 × 40	
no. of spotlights	3	5
weight (kg)	2.8	4.4

Housing colours

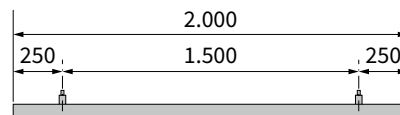
		standard	optional
traffic white	RAL 9016		
metallic aluminium	RAL 9006		
non-standard powder-coated finish			

Colours similar to those in the RAL chart. Colours may differ slightly from those depicted in both hue and finish.

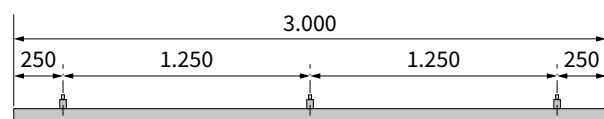


side view

dimensions in mm



3 spotlights

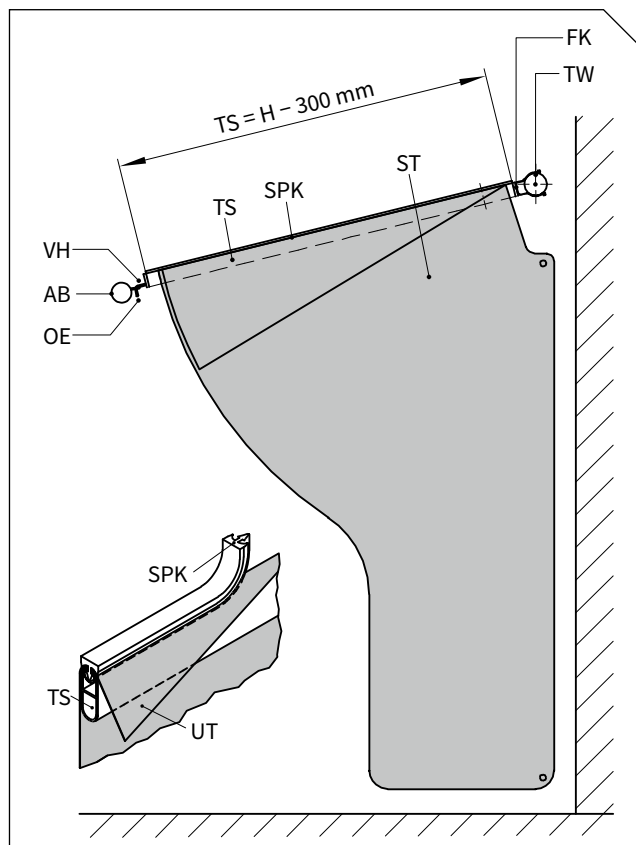


5 spotlights

quantity of brackets and their separation from one another

Insertable side blind

An “on-the-side” accessory to the markilux 5010, 3300, 1500, 1600 and markilux 1300 Basic



- UW = front profile
- FK = spring clip
- OE = eyelet
- SPK = special spline
- ST = side blind cover
- TS = side blind profile
- TW = roller tube
- UT = overhanging cover
- VH = adjustable hook
- H = projection

The insertable side blind is the simple way to guarantee your privacy and as such is the perfect accessory for your folding-arm awning. The side blind must be removed before the awning is retracted. Awnings fitted with an insertable side blind must not be fitted with automatic weather control mechanisms, which send the awning in and out automatically!

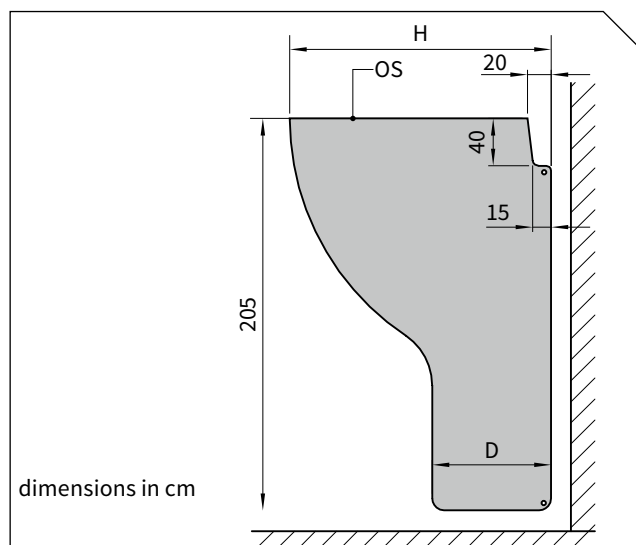
Fitting an insertable side blind

Set the awning to the desired pitch. Extend the awning and remove the end cap from the front profile. Slide the clamp plate with eye into the lower keyway in the front profile and screw it tightly in place. Replace the end cap. Push the spring clip on one end of the side blind profile (profile length = projection – 300 mm) onto the awning roller tube.

Adjust and align the telescopic hook on the side blind profile so that it drops into the eye attached to the front profile. If this is not possible, because the awning is too steeply angled, then shorten the side blind profile. Lay the side blind cover over the profile from the outside and line it up so that the rear edge is parallel and close to the wall.

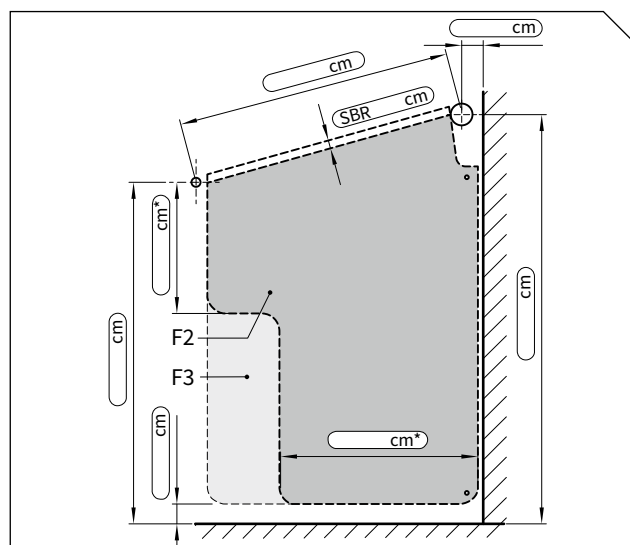
Knock the special spline provided into the profile to secure the cover. If the pitch of the awning is not to be changed, cut off any excess fabric. To secure the cover to the wall and prevent the side blind from flapping, non-rusting eyelets have been inserted into the rear edge of the cover.

Shape 1 Please refer to the table and give dimensions when ordering



H	150	200	250	300	350	400
max. W	45°	40°	30°	25°	20°	15°
D	90	140	190	240	280	340

Shapes 2 and 3 Please give the dimensions indicated when ordering



- F2 = shape 2
- F3 = shape 3
- OS = not hemmed
- SBR = hem width (measured flat)
- H = projection
- D = cover width at bottom
- W = pitch
- * = dimensions only required for shape 2

01
02
03
04
05
06
07
08
09
10
11
12
13
14
15
16
17
18
19
20
21
22
23

markilux Textile printing

Signwriting on covers and valances

Valances and awning covers offer an ideal area to display your advertising or sponsoring.

Apart from bespoke printing options, three standard printing processes are available:

- **stencil printing**
- **thermo-transfer printing**
- **digital printing**

Please send us your signwriting or logo.

We will be pleased to make you an individual offer for both colour and / or monochrome printing.



1. Stencil printing (for valances and covers):

- high quality and durable textile signwriting for large valances and covers
- extremely durable – three applications of colour
- very good light fastness and resistance to UV (light fastness 7–8)
- the signwriting is applied manually using several hand-made stencils
- all the fonts offered by Microsoft Word are available

2. Thermo-transfer printing (only for valances):

- the less expensive alternative for smaller budgets and short to medium term advertising campaigns
- the signwriting is applied using a thermal transfer process
- limited light fastness
- less durable than the stencil process

3. Digital printing (for large areas and covers):

- the new printing technique offering unlimited possibilities
- ideal for large areas and detailed images
- realistic representation of logos and photos: just about anything is possible
- digital files must be submitted in PDF/X-3 or TIFF format, other formats may be possible so please ask us
- optimum printing quality at a resolution of at least 70–100 dpi
- printed on white awning fabric or on request on Soltis material
- we recommend that the un-printed white edges, which appear as a result of discrepancies between the size of the picture and the cover, be filled with a plain colour

Stainless steel winding handles

quality to get to grips with

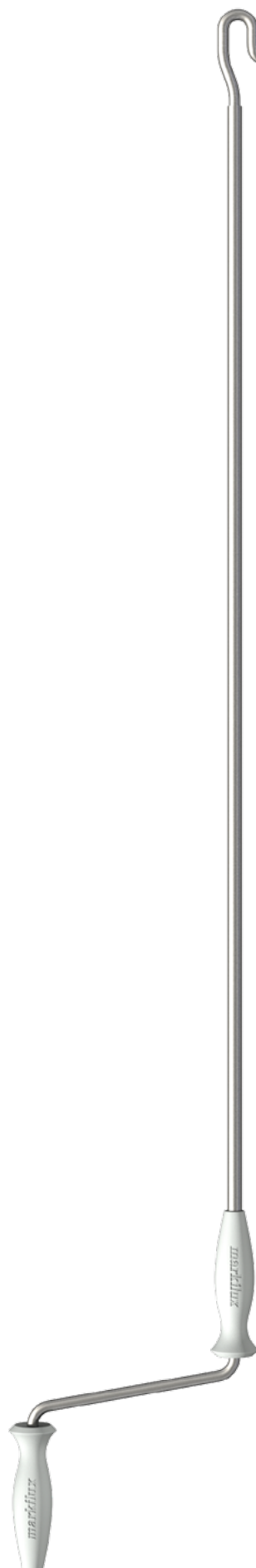
The markilux stainless steel winding handle that is supplied with gearbox-operated awnings, combines timeless elegance and quality that can be felt.

When using the winding handle you can feel its quality by virtue of the virtually silent bearings and ergonomic design.



Winding handle lengths:

- 110 cm
- 140 cm
- 160 cm
- 180 cm
- 220 cm



01
02
03
04
05
06
07
08
09
10
11
12
13
14
15
16
17
18
19
20
21
22
23

markilux silentec

Innovative motor noise reduction technology: amazingly quiet

Even more comfort for the markilux 5010, markilux 6000, markilux 3300 and markilux pergola



Acoustic insulation of this special motor makes it astonishingly quiet. markilux silentec can also be operated via radio-control (optional) with an additional external receiver RTS plug (order no. 8272148).

Only single awnings (refer to the matrix for units with two folding arms / 1 field / 2 fields 2 motors) can be fitted with the silentec motor.

For configuration options such as dimensions and optional accessories please consult the section pertaining to the individual markilux models.

markilux silentec cannot be retro-fitted to existing awnings.

markilux concertronic

The sound system for the markilux 6000. Stereo quality without the need for loudspeakers.



Two transducers and an amplifier with their own power supply turn the markilux 6000 into a stereo loudspeaker.

Via the 3.5 mm jack plug or a Bluetooth connection, the markilux 6000 can pick up the signals of almost all

audio devices with analogue outputs such as iPod/iPhone, Android smart phones, Walkman, MP3 players, etc.

An intelligent control system protects the inbuilt electronic components from overload.

The minimum width of the markilux 6000 increases by 320 mm when fitted with concertronic.

All other specifications remain the same.

markilux concertronic cannot be retro-fitted to existing markilux 6000s.

We recommend a concrete, stone or brick substrate in order to achieve the best sound quality with the markilux 6000 concertronic.

Possible combinations: markilux concertronic with ...

... shadeplus:

optional accessories

... motorised shadeplus:

... spot lighting

... motorised shadeplus and spot lighting:

optional on awnings from an awning width of 350 cm



markilux revento

Increased functionality – telescopic aluminium support poles provide markilux folding-arm awnings with even more stability



Detail:
the support poles are securely fastened to the valance slot on the front profile of the awning



Detail:
the telescopic support pole can be locked into any position by means of an easy-to-use quick-release mechanism



markilux revento consists of two telescopic aluminium poles attached to the front profile of folding-arm awnings which add extra stability when the awning is extended.

This allows you to relax completely under your awning even when there is a light gust of wind. This ensures a more pleasant sojourn on the patio or balcony when the awning is extended in squally conditions.

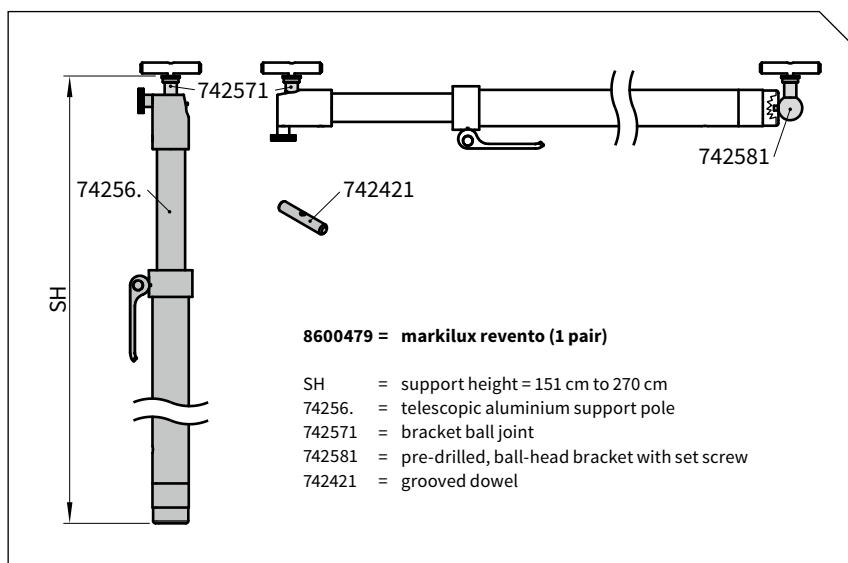
The markilux revento is not to be used in conjunction with electronic sensors. The awning should be under supervision at all times when the support poles are in use.

The markilux revento can be telescopically adjusted from 151 cm to 270 cm in height.

It is available for the following folding-arm awning models:

- markilux 6000 / 6000 shadeplus
- markilux 5010 (without shadeplus)
- markilux 990
- markilux 1500 / 1600 / 1600 stretch (all without shadeplus)

The support poles are attached to the valance slot in the front profile. Therefore, valances are not available in combination with the markilux revento. Available in all standard markilux folding-arm awning colours.



Automatic controls, switches, accessories



Light and wind sensor Soliris Uno

Depending on the prevailing conditions with regard to the wind and sun a single markilux awning will be extended or retracted. The wind speed and lux value required to do this is set directly at the sensor. There is a sliding switch which can quite simply deactivate the sun sensor. The awning can then be controlled manually.

Order number 8272081



Light and wind sensor Soliris IB

In accordance with the prevailing wind and sun conditions, several markilux awnings will be extended or retracted. The wind speed and lux values required to do this are set directly on the sensor. There is a sliding switch which deactivates the sun sensor if required. The Soliris IB is designed to work with a group control unit (each drive unit requires an additional motor control mechanism Centralis Uno IB), whereby each individual control mechanism is connected to a bus system (IB Bus).

Order number 8272082



Rain Sensor Ondeis 230 V AC

for the light and wind sensor Soliris Uno or Soliris IB

Electrically powered sensor, which uses two non-corroding sensing electrodes to detect rain and snow. The rain sensor must be connected to the pre-installed light and wind sensor Soliris Uno or Soliris IB.

Order number 8272065



Individual motor control mechanism Centralis Uno IB (small group control mechanism)

A motor control mechanism Centralis Uno IB is required for every drive unit that is to be controlled. The sliding switch makes it quite simple to remove an awning from the central control system. Individual operation is therefore possible at any time. 2 intermediate positions can be programmed. Warning signals are sent to a LED display (e.g. awning disabled because of excessive wind levels).

Order number 8272085



Surface fixture switch frame

Frame for surface fixture switch (switch is not included), single, Jung LS 981 A WW, for the installation of surface fixture switches only in combination with the Soliris Uno, Soliris IB and Centralis Uno IB.

dimensions approx. 78 × 78 × 40 mm (L × B × H)

Order number 8272027, alpine white



Cut-off relay TR4-AP-230

Cut-off relay (230 V, 50 Hz), for surface fixture, for the control of up to 4 motor drives with mechanical or electronic limit switching. The cut-off relay prevents the motor drives from being linked in parallel, which is not permitted.

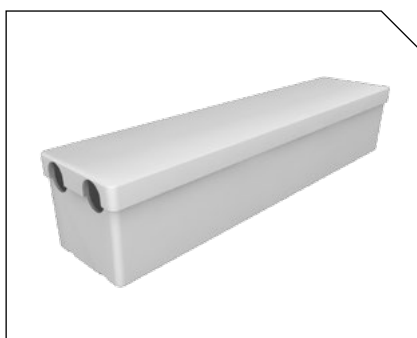
Order number 8272187



Somfy universal set-up switch

For the setting-up of 230 V motors, for RTS or WT motors and also for Becker and Elero motors.

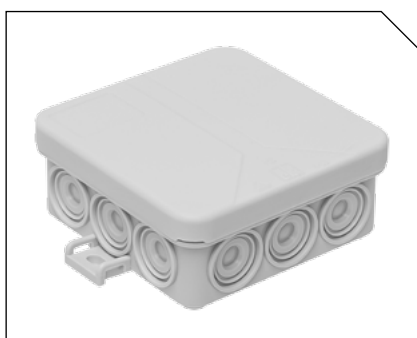
Order number 8271084



Protective box for connecting plug (Hirschmann)

Protective box to tidy away the awning connecting plug near the awning. dimensions 45 × 35 × 175 mm (width × depth × length)

Order number 8271044, white
 Order number 8271043, black
 Order number 8271045, light grey



Junction box for the markilux E-box

Protection class IP 55, 12 sealed access points dimensions 85 × 85 × 37 mm (width × depth × length)

Order no. 8271177, light grey

Power cable, 5 metres long for hard-wired motors

The power supply cable is pre-installed in the factory and is always fitted with a connecting plug (Hirschmann) for reasons of health and safety.

Order number 8271067 Elero motor drives
 Order number 8271115 Becker motor drives

01

02

03

04

05

06

07

08

09

10

11

12

13

14

15

16

17

18

19

20

21

22

23

Radio controls 433 MHz



markilux hand-held remote control (1 channel)

The markilux hand-held remote control (1 channel) allows you to operate your awning comfortably at the touch of a button. The attractive shape and ergonomic design characterise this elegant and easily operated hand-held remote control.

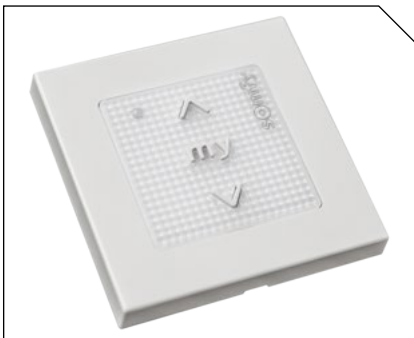
Order number 8272130



markilux hand-held remote control (4 channel)

This markilux radio remote control (4 channel) allows you to control the awning itself as well as the light and wind function and the dimmer function on awnings with lighting at the touch of a button. The attractive shape and ergonomic design characterise this elegant and easily operated hand-held remote control.

Order number 8272131



markilux radio control wall switch Smoove Pure Shine (1 channel)

Easy blind or awning control using the sensitive radio control wall switch Smoove Pure Shine (1 channel). Also has an additional "my" function to set your favourite awning position automatically.

with pressure switches incl. frame

Order number 8272235



Radio control light and wind sensor Soliris Sensor for RTS motors

Depending on the prevailing wind and sun conditions the awning or awnings are extended or retracted. The values for the wind and lux sensors are set at the central control unit. The Soliris Sensor RTS transmits the signals by radio wave. This does away with all the wiring to the central control unit and the motor drive. The sun sensor can be manually activated or deactivated by means of a remote control.

Order number 8272089



Radio control light and wind sensor Soliris Sensor for RTS motors with a connection for a rain sensor

Depending on the prevailing wind and sun conditions the awning or awnings are extended or retracted. The values for the wind and lux sensors are set at the central control unit. In combination with a suitable rain sensor (order no. 8272065) the awning will retract if it starts to rain. The Soliris Sensor RTS transmits the signals by radio wave. This does away with all the wiring to the central control unit and the motor drive. The sun sensor can be manually activated or deactivated by means of a remote control. Order number 8272127



Rain Sensor Ondeis 230 V AC

for a radio control light and wind sensor with rain sensor connection

- the presence of rain and snow is measured by way of a capacitor (maintenance free)
- quick, reliable sensor reaction due to the accurate measurement of precipitation
- integrated, self-regulating heater
- quick and problem-free fixture
- easily installed (both contact cables are white, two core and UV stable)

Order number 8272065



Radio control wind sensor Eolis Sensor RTS

Keeps a constant eye on the wind speed: as soon as the individually pre-set value is exceeded, the sensor retracts the awning. Radio controlled operation makes wiring between the operating point and the motor drive unnecessary. Only a 230 V power supply cable is required.

Order number 8272090



Radio control light sensor Sunis WireFree RTS

Solar cell operated light sensor – which can be fitted anywhere on the façade. For awnings with 433 MHz RTS motors, does not need to be wired into the mains. Built-in solar cells supply the unit with power. Up to three Sunis light sensors can be linked to any one radio-controlled motor. But one Sunis light sensor can also operate a number of radio-controlled motors.

Order number 8272141

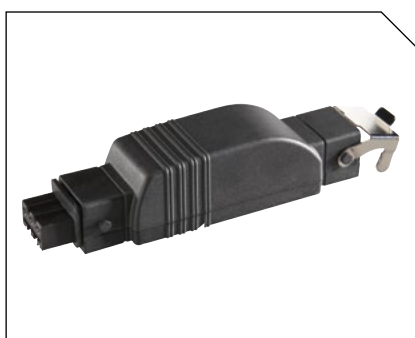


markilux Vibrabox

The markilux Vibrabox, the sensor for dynamic wind loads is sensitive to vibration. It can be fixed to the inside or outside of the front profile (depending on the awning model) without requiring a power supply cable. Different levels of sensitivity can be selected. Battery powered, so no power supply or cabling required.

Order number 8272140 anthracite

Order number 8272144 white



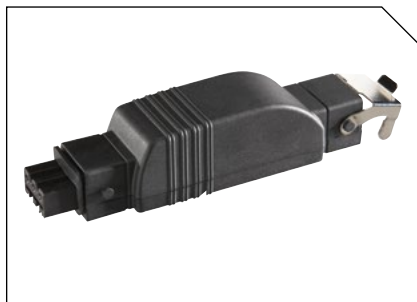
External radio control receiver Universal Slim Receiver RTS Plug as an in-line solution

The easy way to automate an awning with hard-wired motor or provide an automatic radio-controlled option (light, wind, rain sensor) at a later date. Quick and easy installation between the motor and the power supply cable (via a Hirschmann connecting plug). The following is then possible:

- individual operation, i.e. a single radio remote control operates a single receiver
- group operation, i.e. a single radio remote control operates more than one receiver (e.g. motor)
- multiple operation, i.e. more than one radio remote control operates a single receiver

Order number 8272148

Radio controls 433 MHz



External radio receiver Heating Slim Receiver RTS Plug for infrared heater

The external receiver for the infrared heater. Quick and easy installation between the motor and the power supply cable (via the Hirschmann connecting plug). The following is then possible:

- individual operation, i.e. a single radio remote control operates a single receiver
- group operation, i.e. a single radio remote control operates more than one receiver (e.g. motor)
- multiple operation, i.e. more than one radio remote control operates a single receiver

Order number 8272138



External radio receiver Heating Mod/Var Receiver RTS for infrared heater

The dimmable external receiver for the infrared heater. The power output to the heater can be regulated in three stages: 33%, 66% and 100%.

Order number 8272227



External radio-controlled receiver Centralis Indoor RTS, for awnings with lighting

The external lighting receiver for internal installation in a flush-fitted wall box, with a diameter of 60 mm, without dimmer function.

Order number 8272102

io Radio controls



Radio control handset Situo mobile io (1 channel)

The attractive, hand-held remote control Situo mobile io (1 channel) allows easy control of one or several blinds or awnings, equipped with a motor in io technology. Also has an additional “my” function to set your favourite awning position automatically. The Situo mobile io can also be used as a wall-fixed remote control.

Order number 8272188



Radio controlled handset sunshade control Easy Sun io

Up to 15 products in five product groups can be controlled by the Easy Sun io. Equipped with additional memory function “my” to set your favourite awning position automatically, an auto/manual function as well as allowing the lux and wind thresholds to be set individually. The executed commands can be checked via the display and via LED.

Order number 8272191



Radio control wallset Smoove io Pure shine (1 channel)

Easy blind or awning control using the sensitive radio control wall switch Smoove Pure Shine (1 channel). Also has an additional “my” function to set your favourite awning position automatically.

Order number 8272189



Radio control wallset Smoove A/M io Pure shine (1 channel)

Easy blind or awning control using the sensitive radio control wall switch Smoove Pure Shine (1 channel). Also has an additional „my” function to set your favourite awning position automatically as well as the option to switch from auto to manual.

Order number 8272190



Radio control wind sensor Eolis WireFree io

The battery-powered radio controlled wind sensor Eolis WireFree io can be fitted directly to the façade without the need to lay any annoying cabling. The wind threshold value can be set individually directly on the sensor or via the radio control façade unit Easy Sun io in combination with the Sensor Box io.

Order number 8272193 white

io Radio controls



markilux Vibrabox Eolis 3D WireFree io

The markilux vibrabox Eolis 3D WireFree io, the sensor for dynamic wind loads reacts to vibration. It can be fixed to the inside or outside of the front profile (depending on the awning model) without requiring a power supply cable. The wind threshold value can be set individually directly on the sensor. Battery powered, so no power supply or cabling required.

Order number 8272197, traffic white (RAL 9016)

Order number 8272198, traffic grey (RAL 7043)



Radio control light sensor Sunis WireFree io

The battery-powered radio control light sensor Sunis WireFree io can be mounted directly to the façade without any annoying cables. The light threshold value can be set individually via the radio control façade unit Easy Sun io in combination with the Sensor Box io.

Order number 8272192, white (single unit)

Order number 8272199, white (set with communication unit Sensor Box io)



Communication unit Sensor Box io

Communication unit Sensor Box io, for the exchange of information between sunshade controls and sensors.

Order number 8272196, white (single unit)

Order number 8272199, white (set with radio control light sensor Sunis WireFree io)



Set: radio control light sensor Sunis WireFree io and

Communication Unit Sensor Box io

The battery-powered radio control light sensor Sunis WireFree io can be mounted directly to the façade without any annoying cables. The light threshold value can be set individually via the radio control façade unit Easy Sun io in combination with the Sensor Box io.

Communication unit Sensor Box io, for the exchange of information between sunshade controls and sensors.

Order number 8272199 white

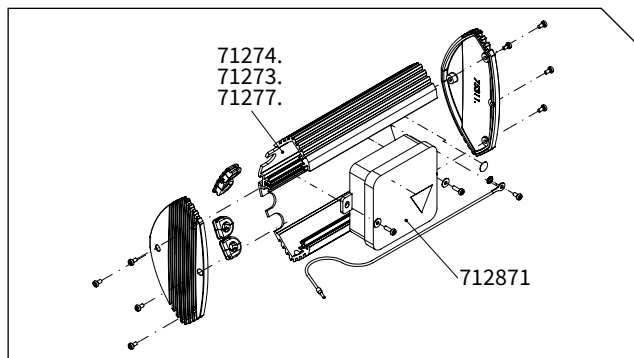


External radio receiver Plug Receiver io, as an in-line solution

The external radio Plug Receiver io for the leisurely switching on and off of lamps, radios, TVs and other domestic appliances (not suitable for awning motors).

Order number 8272195 white

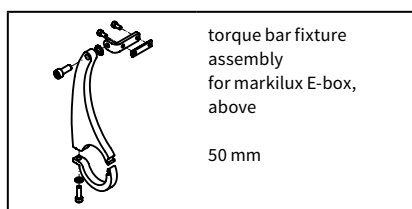
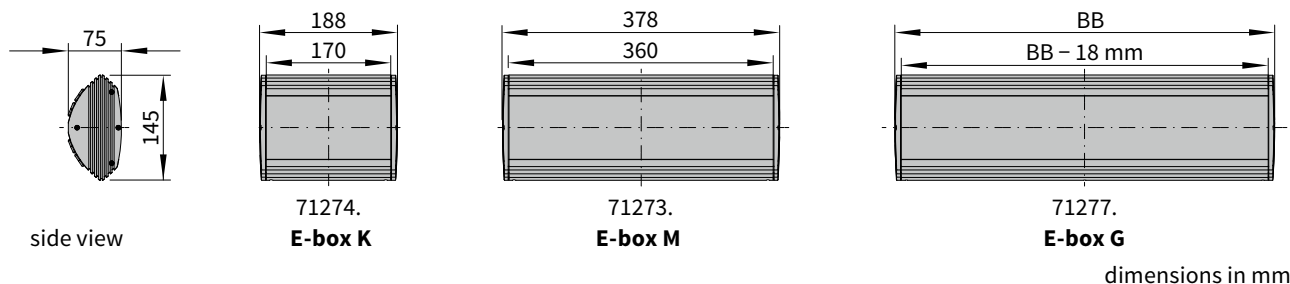
markilux E-box



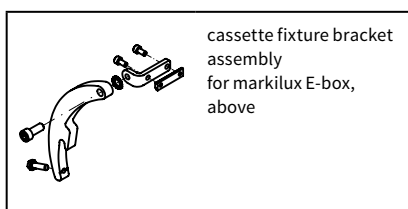
For carrying out electrical installations safely and easily
 Electrical components such as plug connections and junction boxes come to form an aesthetic part of the installation by virtue of the markilux E-box.

The E-box is available in three models:

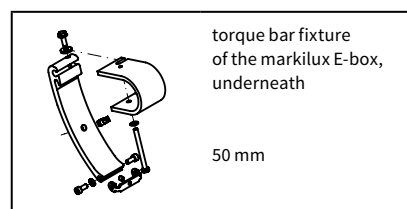
- **E-box K**
 accepts a single plug connection (e.g. Hirschmann plug). Width = 188 mm
- **E-box M**
 suitable for a plug connection with external receiver or for the installation of an awning with lights and an additional connection for a shadeplus. Width = 378 mm
- **E-box G**
 can be ordered to a bespoke width (BB)



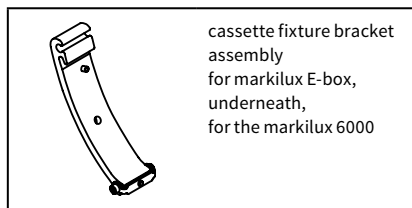
71278.



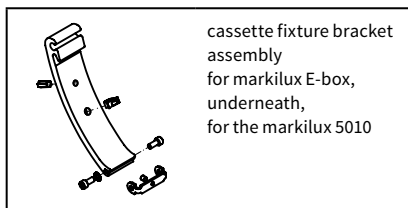
71279.



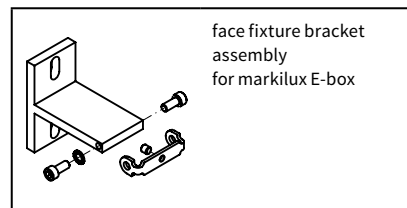
71281.



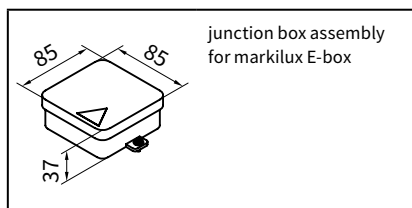
71282.



71283.



71284.



712871

BB = order width (E-box G)

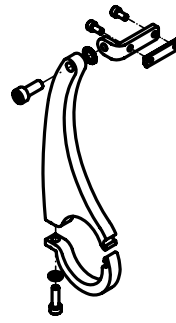
. = insert RAL colour code no.

01
02
03
04
05
06
07
08
09
10
11
12
13
14
15
16
17
18
19
20
21
22
23

Torque bar fixture of the markilux E-box above an awning



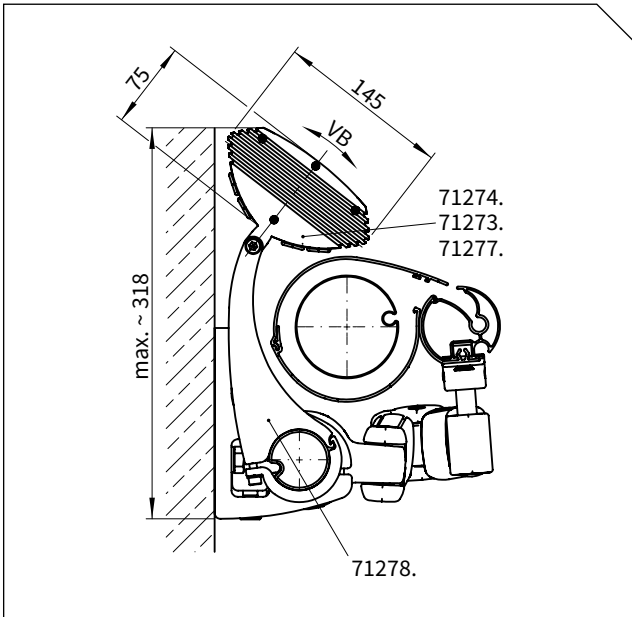
markilux E-box above a markilux 1710



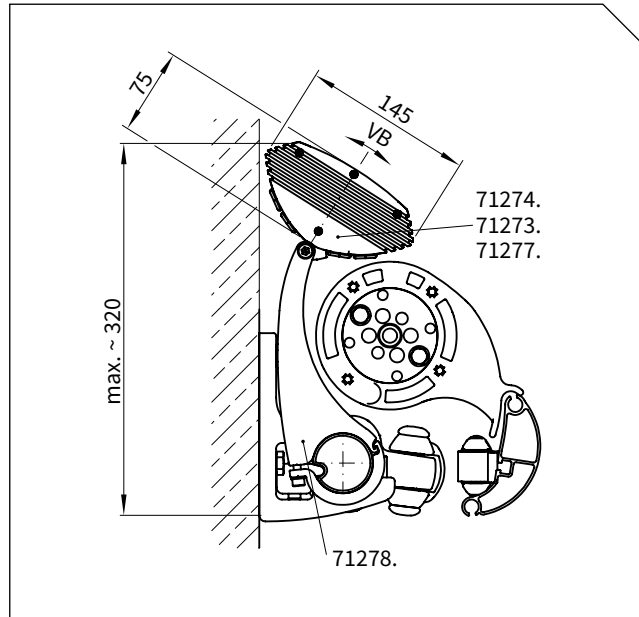
torque bar fixture 71278.

for installation above the following awnings:

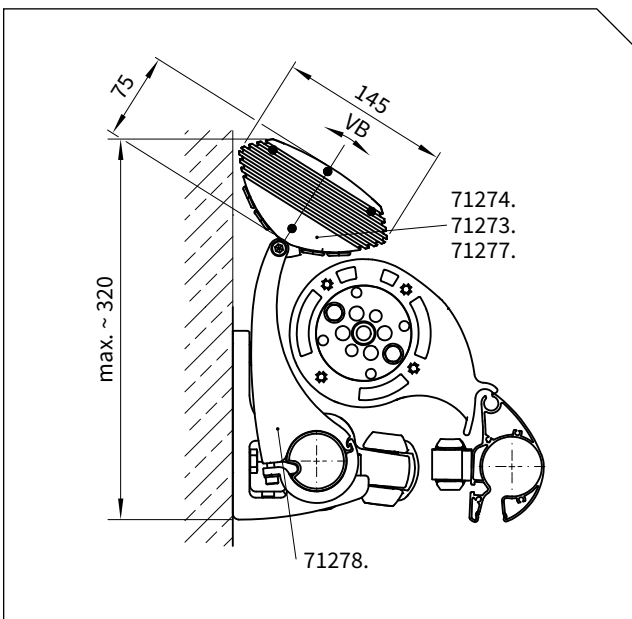
- markilux 1500
- markilux 1600
- markilux 1650
- markilux 1700
- markilux 1710



installation above a markilux 1700 / markilux 1710



installation above a markilux 1500 / markilux 1600



installation above a markilux 1650

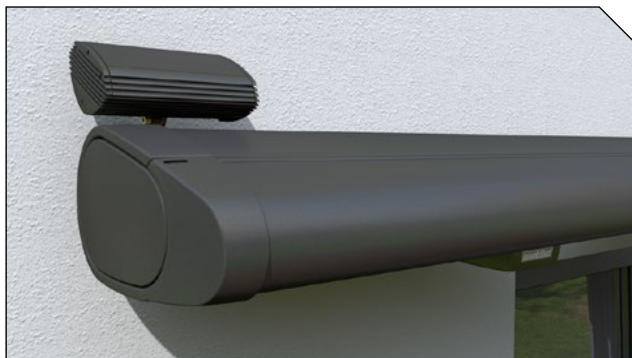
No. of torque bar fixture brackets with different E-box models

E-Box model	No. of torque bar brackets
E-box K	1 pc
E-box M	2 pcs
E-box G	1 pc (if length < 0.3 m) / for every additional metre 1 pc extra

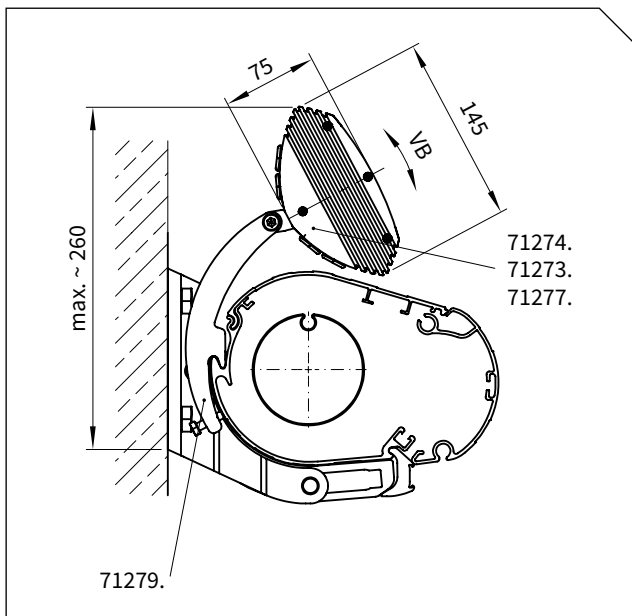
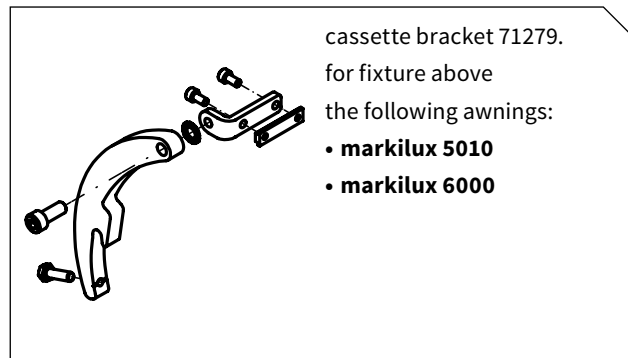
VB = adjustment range of the E-box

. = insert RAL colour code no.

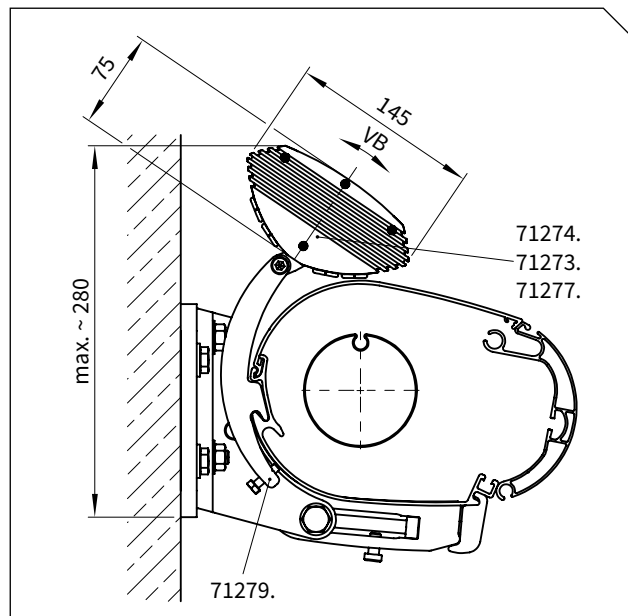
Cassette bracket fixture of the markilux E-box above an awning



markilux E-box above a markilux 6000



installation above a markilux 5010



installation above a markilux 6000

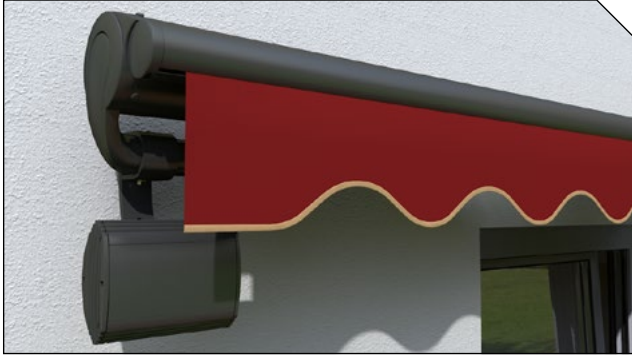
No. of cassette brackets with different E-box models

E-Box model	No. of cassette brackets
E-box K	1 pc
E-box M	2 pcs
E-box G	1 pc (if length < 0.3 m) / for every additional metre 1 pc extra

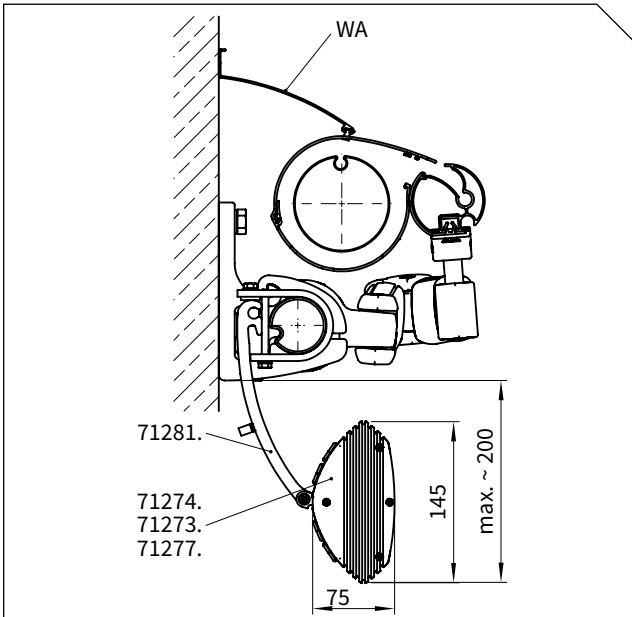
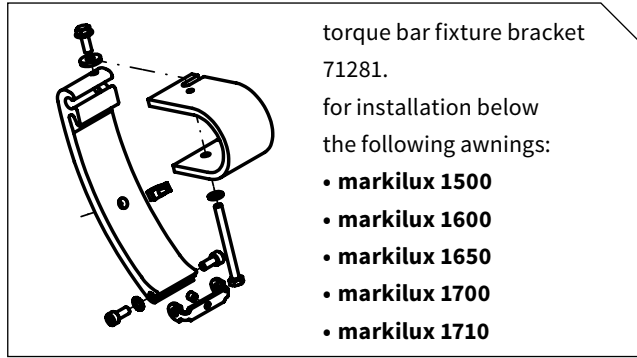
VB = adjustment range of the E-box

. = insert RAL colour code no.

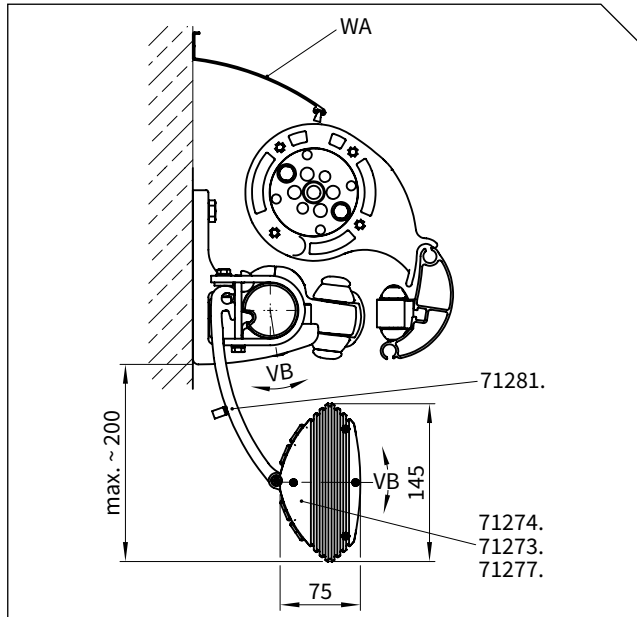
Torque bar fixture of the markilux E-box below an awning



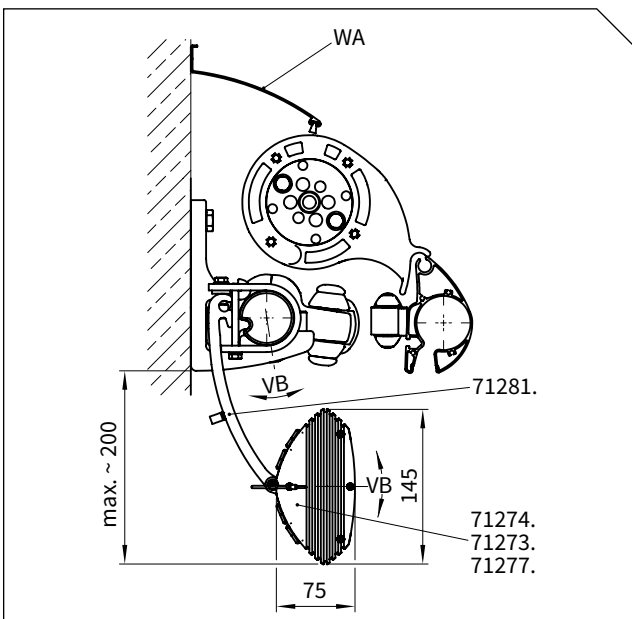
markilux E-box underneath a markilux 1710



installation underneath a markilux 1700 / 1710



installation underneath a markilux 1500 / 1600



installation above a markilux 1650

No. of torque bar fixture brackets with different E-box models

E-Box model	No. of fixture brackets
E-box K	1 pc
E-box M	2 pcs
E-box G	1 pc (if length < 0.3 m) / for every additional metre 1 pc extra

VB = adjustment range of the E-box

WA = wall sealing profile

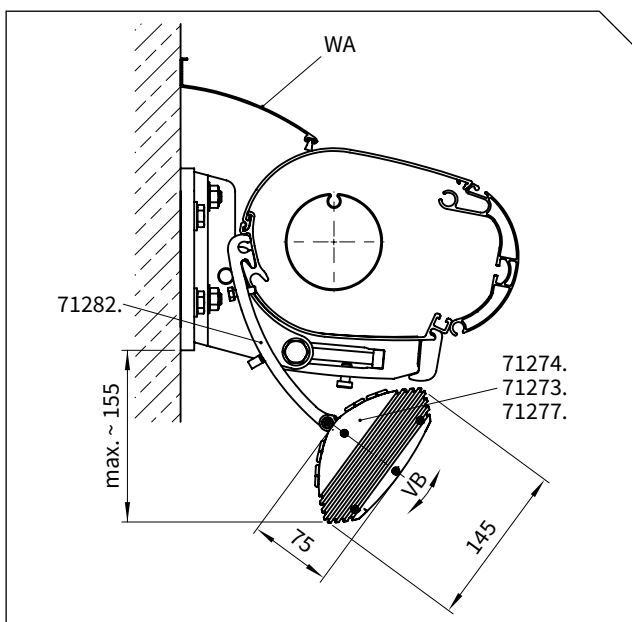
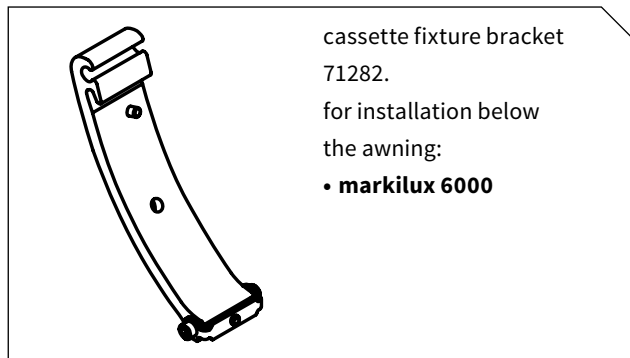
(not possible with the E-box in certain positions)

. = insert RAL colour code no.

Cassette bracket of the markilux E-box below an awning



markilux E-box underneath a markilux 6000



installation underneath the markilux 6000

No. of cassette brackets with different E-box models

E-Box model	No. of cassette brackets
E-box K	1 pc
E-box M	1 pc
E-box G	1 pc (if length < 0.3 m) / for every additional metre 1 pc extra

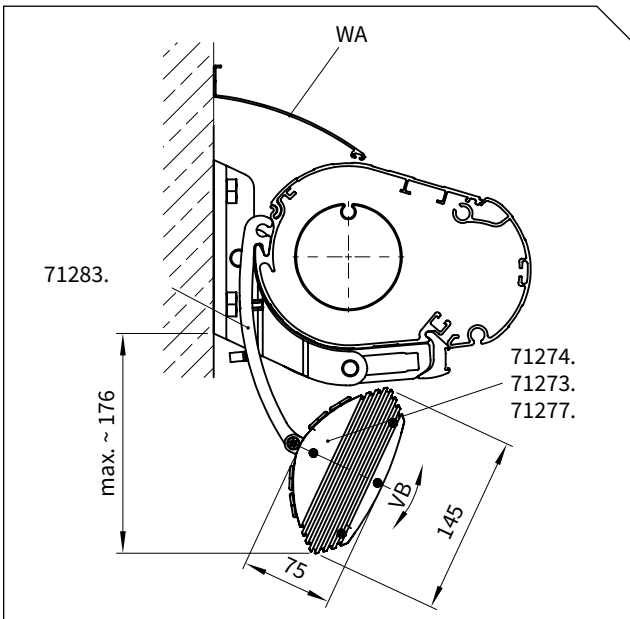
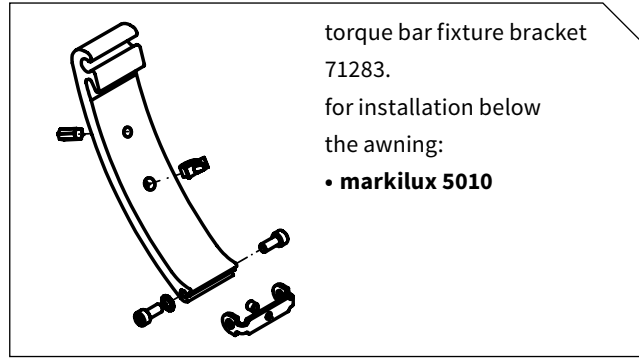
VB = adjustment range of the E-box
 WA = wall sealing profile
 (not possible with the E-box in certain positions)
 . = insert RAL colour code no.

01
02
03
04
05
06
07
08
09
10
11
12
13
14
15
16
17
18
19
20
21
22
23

Cassette bracket for fixture of the markilux E-box below an awning



installation markilux E-box underneath the markilux 5010



installation underneath the markilux 5010

No. of cassette brackets with different E-box models

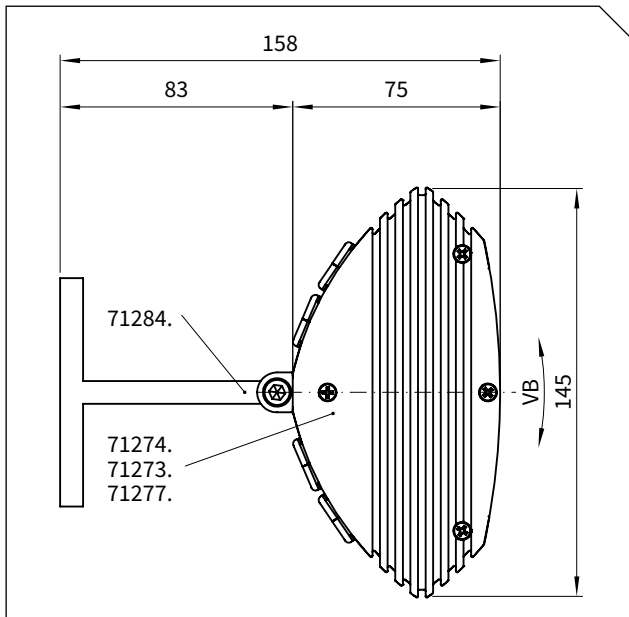
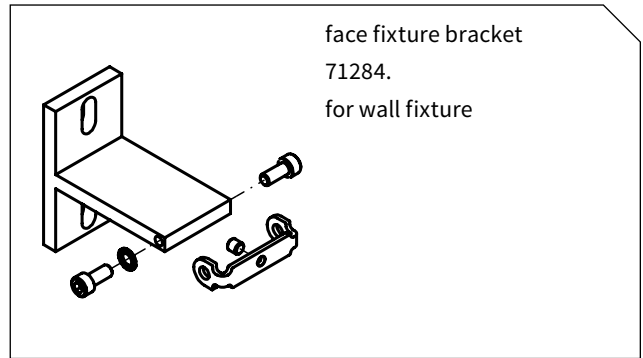
E-Box model	No. cassette brackets
E-box K	1 pc
E-box M	1 pc
E-box G	1 pc (if length < 0.3 m) / for every additional metre 1 pc extra

VB = adjustment range of the E-box
 WA = wall sealing profile
 (not possible with the E-box in certain positions)
 . = insert RAL colour code no.

Face fixture bracket for the markilux E-box



face fixture of the markilux E-box underneath the markilux 990



installation underneath the markilux 6000

No. of face fixture brackets with different E-box models

E-Box model	No. fixture brackets
E-box K	1 pc
E-box M	1 pc
E-box G	1 pc (if length < 0.3 m) / for every additional metre 1 pc extra

VB = adjustment range of the E-box

. = insert RAL colour code no.

