



Exterior awning

markilux 870 tracfix

The exterior awning for medium-sized areas with a round cassette.



reddot design award
winner 2017



markilux.com

markilux
safe timeless beautiful

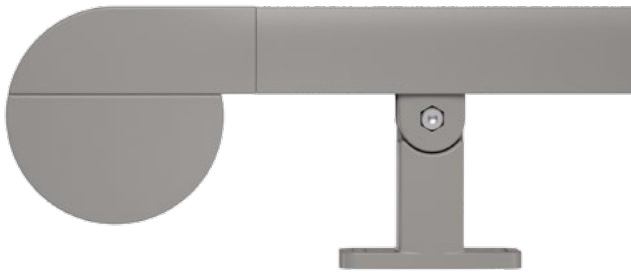
01
02
03
04
05
06
07
08
09
10
11
12
13
14
15
16
17
18
19
20

Product characteristics

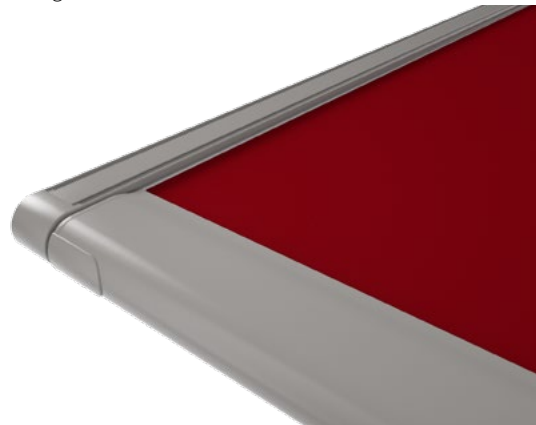
Wind resistance class 3
Beaufort 6 → 38–48 km/h → 10.5–13.4 m/s → 24–30 mph



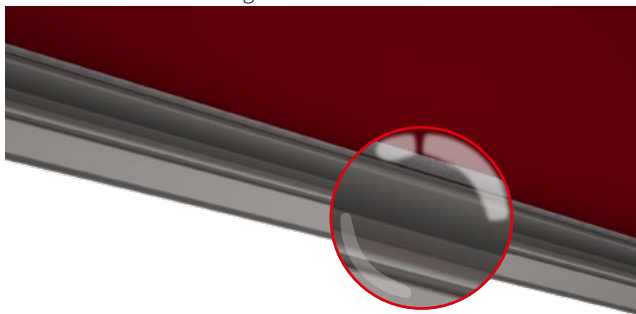
1 side view track-only fixture



2 front profile finishes flush with the end of the guide tracks



3 tracfix cover guidance – no gap between cover and guide track



Product characteristics

Description

- exterior awning for conservatories and glass canopies. One awning can shade an area of up to 16 m².

Special features

- fully encompassing cassette that protects the cover perfectly
- the tried and tested tensioning system – with drive belts and integrated gas pistons – delivers optimum cover tension in any phase of extension
- as standard with tracfix, the continuous lateral cover guidance system that leaves no gap between the cover and guide tracks – gives improved wind stability and a cleaner appearance
- the broad range of brackets with patented clip-on system offers individual fixture solutions, from discrete to conspicuous

Dimensions

- single unit: 60 cm – 400 cm in width, maximum extension 400 cm
- maximum dimensions, width × extension: 400 cm × 400 cm
- intermediate sizes are available

Roller tube and lateral bearings

- round roller tube Ø 85 mm with keyway, galvanised steel
- excellent stability, ensures near perfect cover performance even at the largest widths
- the roller tube bearing is made of stainless steel

Awning profiles

- extruded aluminium, in façade quality, powder coated
- cassette profile in two pieces, round, Ø 130 mm
- guide tracks angular, rounded edges, width × height 52 mm × 52 mm
- front profile rounded at the front, depth × height 110 mm × 52 mm

Side caps

- the cassette end caps are made of high-quality plastic, in two parts, powder coated
- the front profile end caps are made of high-quality plastic, powder coated

Fixture brackets

- extruded aluminium, powder coated
- cassette is self-supporting on guide tracks
- brackets for the guide tracks: stand-off brackets, reveal fixture, flat track brackets for lateral fixture
- standard bracket heights: 105 mm / 145 mm / 100–500 mm (bespoke heights can be ordered)
- other accessories are available

01 **Frame colours**

02 markilux frame colours without surcharge

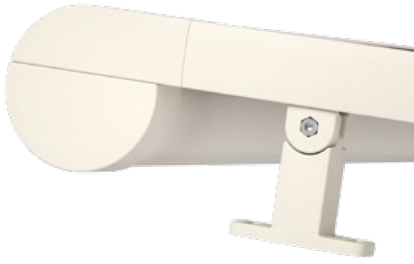
03 traffic white RAL 9016



04 metallic aluminium RAL 9006



05 grey brown, similar to RAL 8019

06 off-white textured finish, 5233 ¹⁾07 stone grey metallic, 5215 ¹⁾08 anthracite metallic, 5204 ¹⁾09 Havana brown textured finish, 5229 ¹⁾

17

18

19

20

Non-standard powder-coated finish

Bespoke frame colours at a surcharge – matt, metallic and pearl finishes as well as other colour ranges (DB, Tiger etc.) on request. All frame colours are available at a surcharge with enhanced corrosion protection.

1) textured finish

Colours may differ slightly from those depicted in both hue and finish.

Dimensions and configuration options

Single unit

	Blind fixture width						Minimum fixture width	
	150	200	250	300	350	400	Hard-wired motor	Radio-contr. motor
Order dimensions	60 150	151 200	201 250	251 300	301 350	351 400		
Overall width	+ 5.4							
H	150						69	79
	200							
	250							
	300						107 ¹⁾	107 ¹⁾
	350							
	400							

dimensions in cm

1) = from an extension of 281 cm
 H = extension

 = 4 brackets  = 6 brackets  = 6 brackets, 1 cover support tube

Operation	standard	optional
crank handle	—	—
hard-wired motor	✓	—
silentec motor (optionally with an external io / RTS receiver)	—	—
radio-controlled motor io, 868 MHz	—	✓
radio-controlled motor RTS, 433 MHz	—	✓
radio-controlled motor RTS, 433 MHz with manual override	—	—

Coupled Awning
not available
Optional accessories
automatic controls (light, wind, rain)
N.B! – Important background information can be found in the chapter “Optional Accessories”.
Shadeplus / drop valance
not available

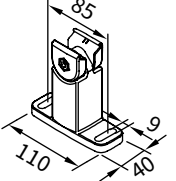
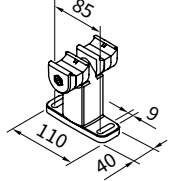
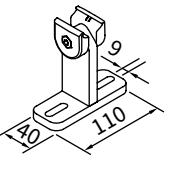
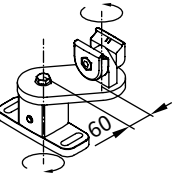
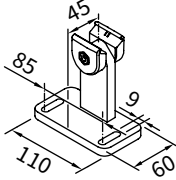
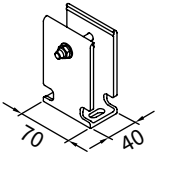
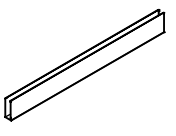
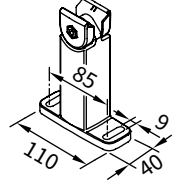
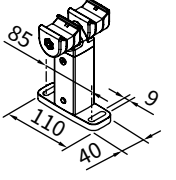
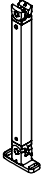
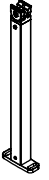
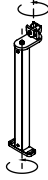
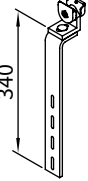
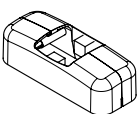
Awning cover	fabric range no.	standard	optional	awning fixture width	extension	cover manufacture
sunvas	301.. / 309..-315..	✓	—	≤ 400	≤ 400	LN
sunsilk	324.. / 325.. / 328.. / 369..	✓	—	≤ 400	≤ 400	LN
perfortex	331.. / 332..	✓	—	≤ 400	≤ 400	LN
sunvas (250 cm)	31008, -09, -13, -16, -18, -25, 27, -28, -31, -36, -37, -57, -58, 31109, -14, -17	✓	—	≤ 250		N
				≤ 400	≤ 243	N
transolair	338..	—	✓	≤ 400	≥ 244 ≤ 400	QN
				≤ 320		N
sunvas (320 cm)	31008, -09	✓	—	≤ 400	≤ 313	N
				≤ 400	≥ 314	QN
				≤ 400	< 244	N
vuscreen Alu	317..	—	✓	≤ 400	≥ 244 ≤ 400	QN
				≥ 401	≤ 250	N
				≤ 185	≤ 300	N
Soltis Perform 92	92-20..	—	✓	≤ 400	≤ 194	N
				≥ 186 ≤ 400	≥ 195 ≤ 300	QN
perla	370..	—	—			
perla FR	374.. / 375..	—	—			

dimensions in cm

N = seamless
 LN = vertical seam(s), panel width usually 120 cm
 QN = horizontal seam(s)

Fixtures, fittings and accessories

01
02
03
04
05
06
07
08
09
10
11
12
13
14
15
16
17
18
19
20

 <p>track bracket with adjustable head 100 mm</p> <p>76046.</p>	 <p>double track bracket with adjustable head central bracket for 2 single units next to one another 100 mm</p> <p>73634.</p>	 <p>track bracket for conservatory transom fixture 100 mm</p> <p>76055.</p>
 <p>universal track bracket 100 mm</p> <p>76054.</p>	 <p>track bracket with adapter plate 100 mm</p> <p>76199.</p>	 <p>track bracket for track-only fixture 100 mm</p> <p>76017.</p>
 <p>track bracket for track-only fixture by the metre, undrilled 100 mm maximum length: 6 m</p> <p>76013.</p>	 <p>track bracket with adjustable head 140 mm</p> <p>76048.</p>	 <p>double track bracket with adjustable head central bracket for 2 single units next to one another 140 mm</p> <p>73636.</p>
 <p>track bracket top and bottom with adjustable head 200-500 mm</p> <p>76045.</p>	 <p>track bracket with adjustable head 100-500 mm</p> <p>76047.</p>	 <p>universal track bracket with adjustable head 140-500 mm</p> <p>76053.</p>
 <p>flat track bracket with adjustable head for lateral guide track fixture</p> <p>76049.</p>	 <p>cover cap for square track bracket standard accessory for bracket</p> <p>76718.</p>	

dimensions in mm

Fixtures, fittings and accessories

spacer plate
for track bracket

110 × 40 × 10 mm

78570.

adapter plate
for track bracket

110 × 60 × 10 mm

78158.

adapter plate
for track bracket

110 × 60 × 10 mm

78165.

angled mounting bracket

76098.

angled mounting bracket
76098. including coupling
bolts

76099.

fixture bracket for sun
and/or wind and/or rain
sensor

76050.

bracket sun and/or wind
sensor io

76723.

01
02
03
04
05
06
07
08
09
10
11
12
13
14
15
16
17
18
19
20

dimensions in mm

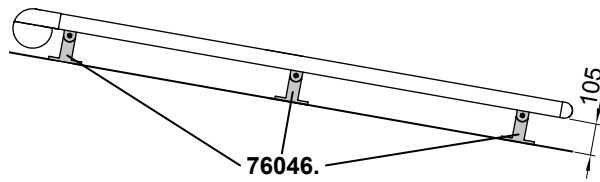
01 **Fixture types**

02

03

21

Clearance 105 mm



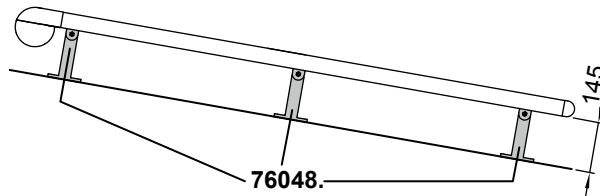
05

06

07

22

Clearance 145 mm



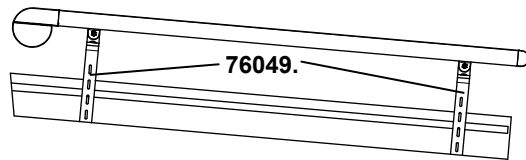
08

09

11

30

Flat track bracket



12

13

Individual choice of brackets:
see "Fixtures, fittings and accessories". When extension > 300 cm always with 3 brackets per guide track.

14

Overview of fixture dimensions

15

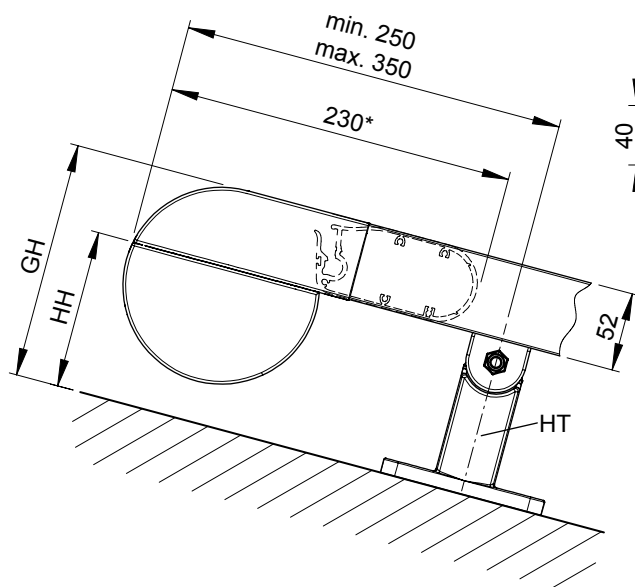
16

17

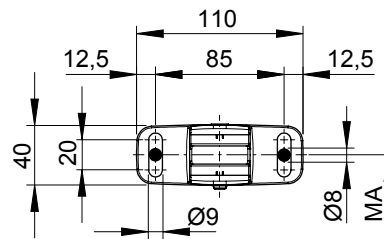
18

19

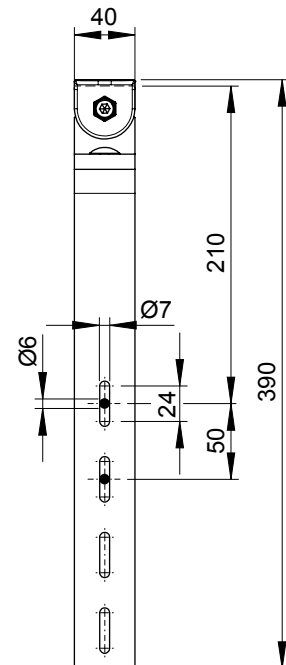
20



Fixture type 21, 22



Fixture type 30



	Fixture type 21	Fixture type 22	Fixture type 30
HT	= bracket 76046.	76048.	76049.
HH	= bracket height 105	145	approx. 195–335
GH	= overall height 157	197	approx. 247–387

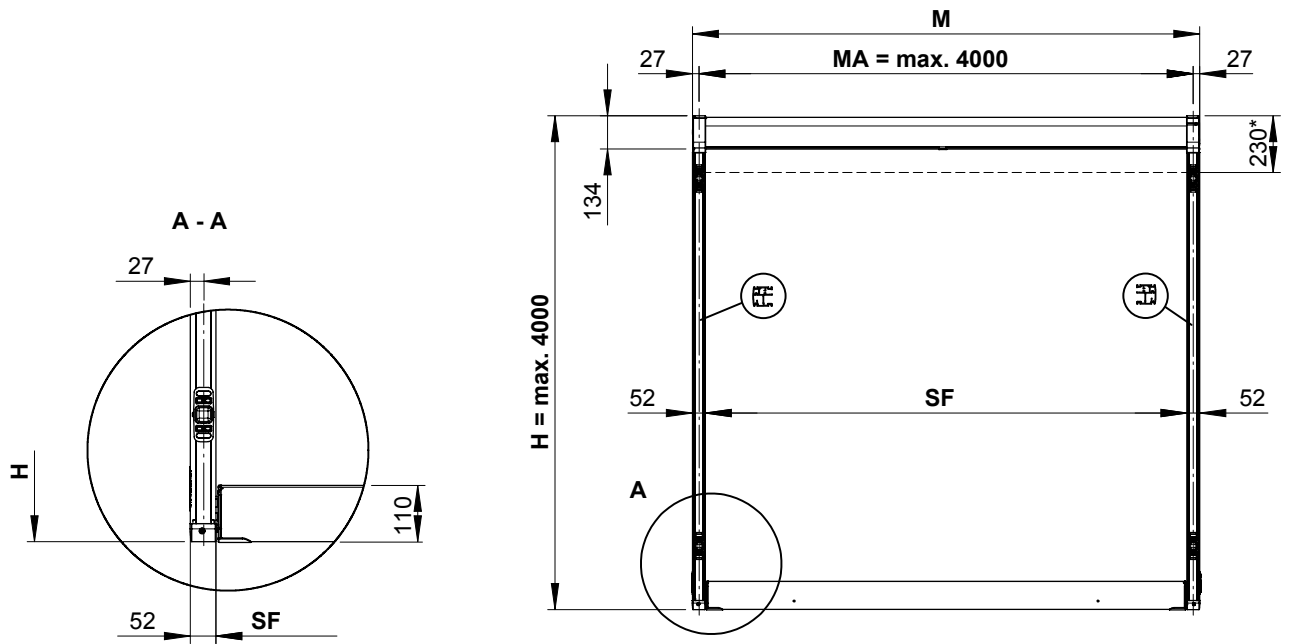
MA = *order dimension* = awning fixture width = fixture width

* = unit depth when retracted

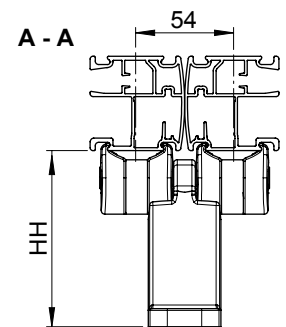
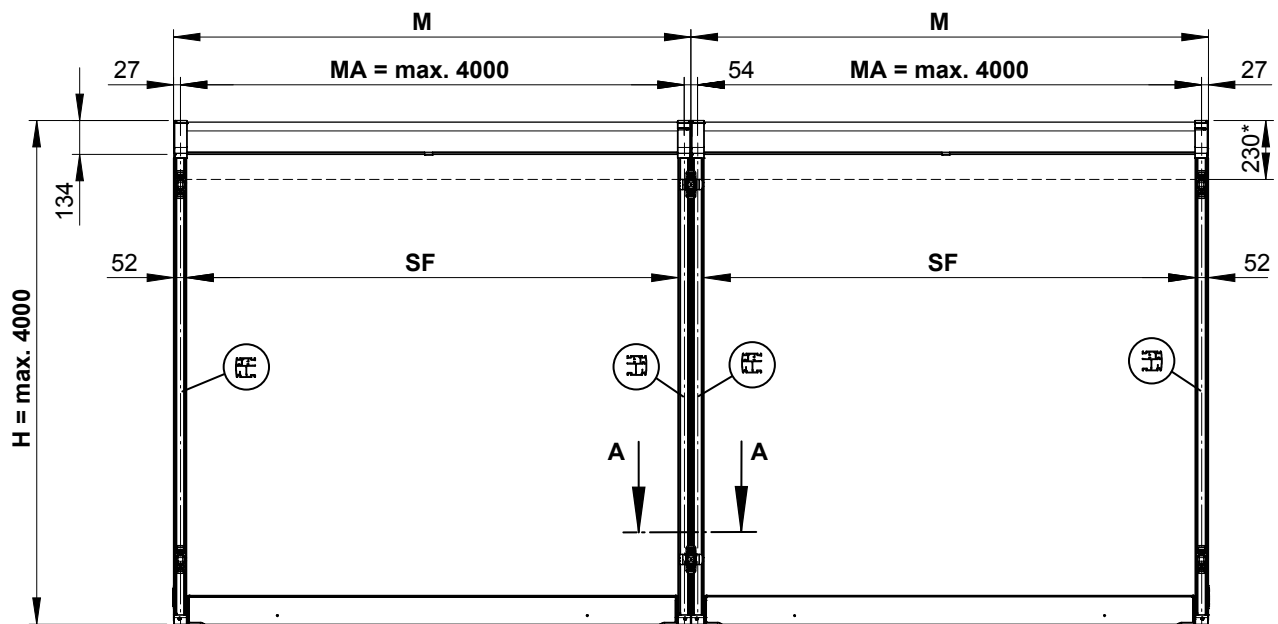
dimensions in mm

Overview of fixture dimensions

Single unit



Two single units - fixture via double track brackets



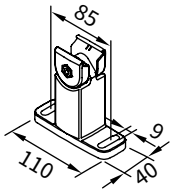
- * = unit depth when retracted
- H = *order dimension* = extension
- HH = bracket height
- M = overall awning width
- MA = *order dimension* = awning fixture width = fixture width
- SF = visible cover area

dimensions in mm

01
02
03
04
05
06
07
08
09
10
11
12
13
14
15
16
17
18
19
20

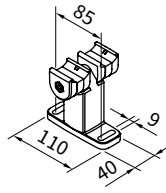
Dimension overview fixture types 21, 22

Fixtures, fittings and accessories



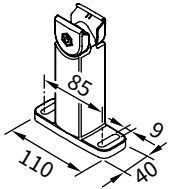
track bracket with adjustable head
100 mm

76046.



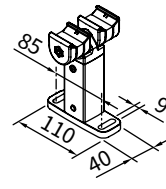
double track bracket with adjustable head
central bracket for 2 single units next to one another
100 mm

73634.



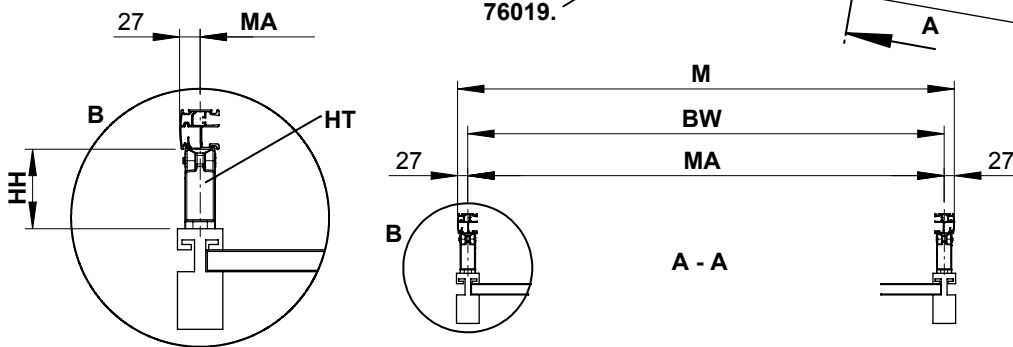
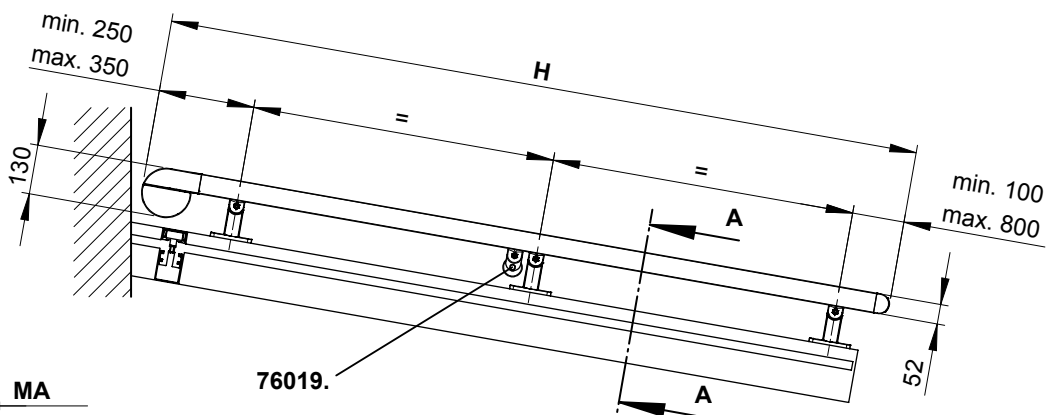
track bracket with adjustable head
140 mm

76048.



double track bracket with adjustable head
central bracket for 2 single units next to one another
140 mm

73636.



76019. = bracket for cover support tube

BW = width between fixture points on the conservatory

H = *order dimension* = extension

HH = bracket height

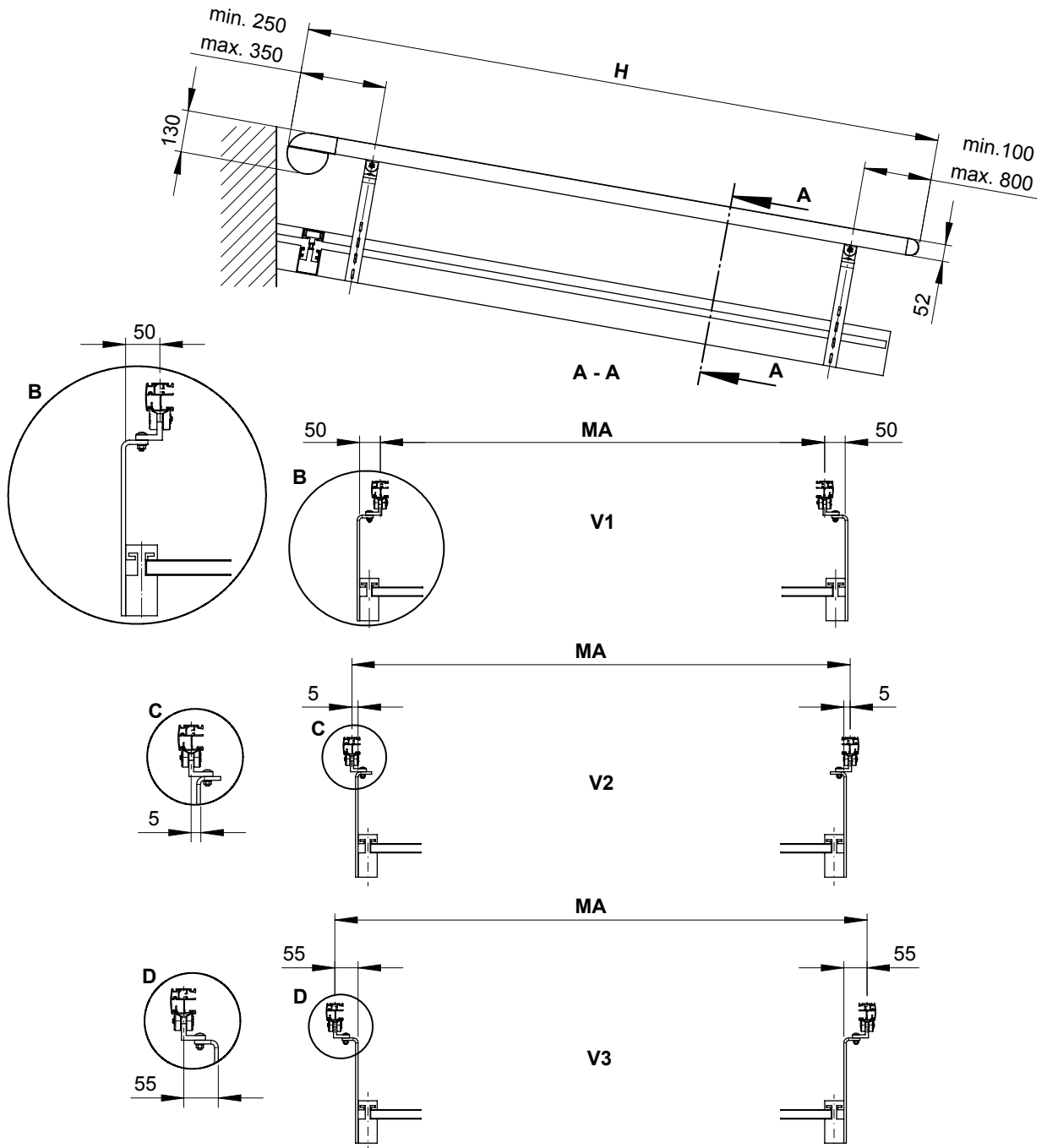
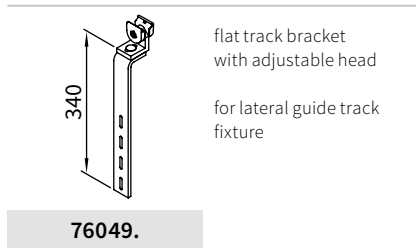
HT = bracket

M = overall awning width

MA = *order dimension* = awning fixture width = fixture width dimensions in mm

Dimension overview fixture type 30

Fixtures, fittings and accessories



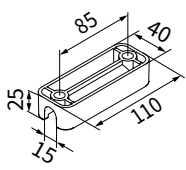
- H = order dimension = extension
- MA = order dimension = awning fixture width = fixture width
- V1, V2, V3 = version

dimensions in mm

01
02
03
04
05
06
07
08
09
10
11
12
13
14
15
16
17
18
19
20

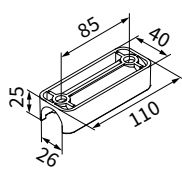
Dimension overview eaves fixture with additional bracket fitting

Fixtures, fittings and accessories



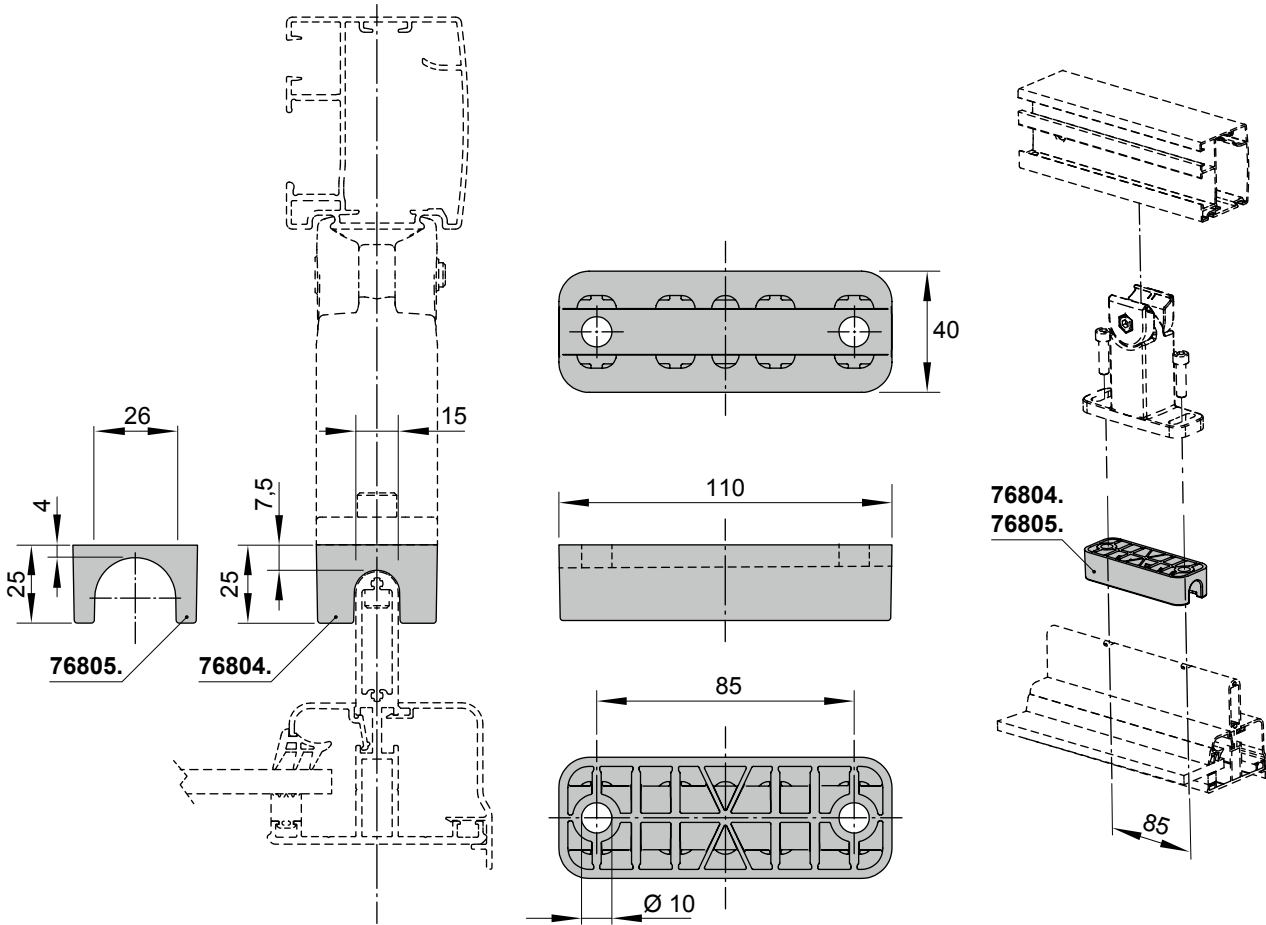
track bracket accessory for track fixture directly on top of the glazing bars (width 14 mm)

76804.



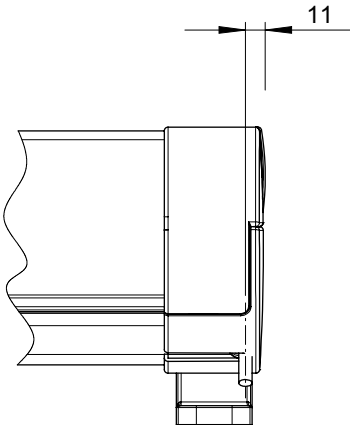
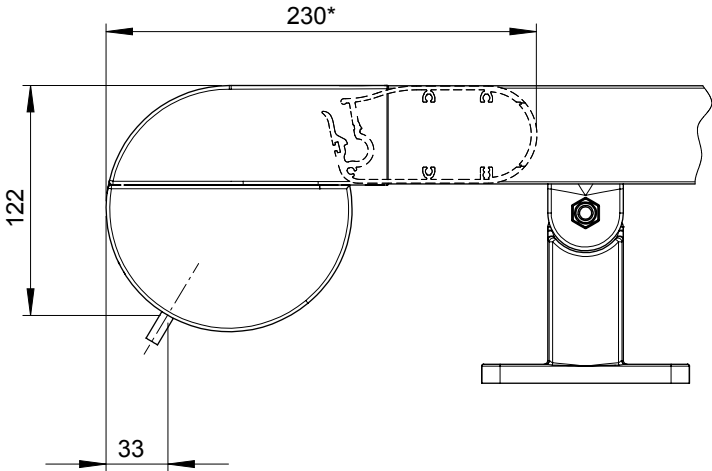
track bracket accessory for track fixture directly on top of the glazing bars (width 25 mm)

76805.



dimensions in mm

Motor cable exit point



- 01
- 02
- 03
- 04
- 05
- 06
- 07
- 08
- 09
- 10
- 11
- 12
- 13
- 14
- 15
- 16
- 17**
- 18
- 19
- 20

* = unit depth when retracted

dimensions in mm

01

02

03

04

05

06

07

08

09

10

11

12

13

14

15

16

17

18

19

20