



Cassette awning

## markilux MX-1

A designer cassette awning that meets the highest architectural requirements. The multitasking all-rounder that provides light, shade and the suggestion of a fixed, weatherproof canopy.



reddot award 2015  
winner



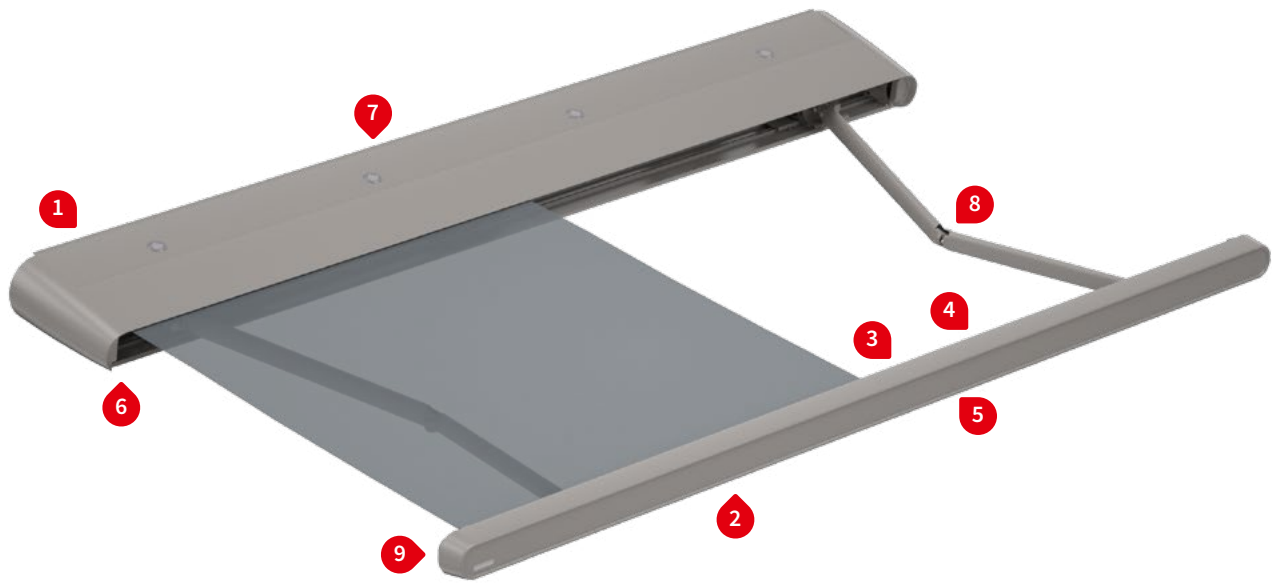
[markilux.com](http://markilux.com)

**markilux**  
safe timeless beautiful

Product characteristics

Wind resistance class 2  
Beaufort 5 → 7.5–10.4 m/s → 28–37 km/h → 17–23 mph

01  
02  
03  
04  
05  
06  
07  
08  
09  
10  
11  
12  
13  
14  
15  
16  
17



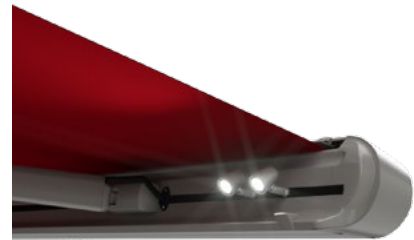
1) face fixture



2) drop valance, during projection <sup>1)</sup>



3) LED spotlights in the front profile <sup>1)</sup>



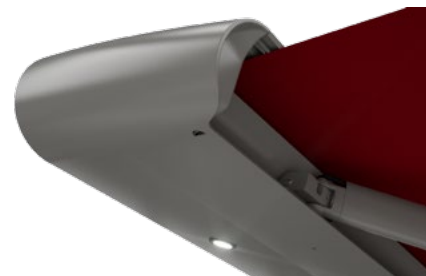
4) LED-Line in the front profile <sup>1)</sup>



5) LED ambient lighting in the front profile in 5 colour shades <sup>1)</sup>



6) LED spotlights in the canopy, underneath <sup>1)</sup>



7) LED spotlights in the canopy, on top <sup>1)</sup>



8) bionic tendon and hidden cable conduits in the arms



9) hidden gutter with lateral water spouts



1) optional configuration

## Product characteristics

### Description

- unique combination of full cassette awning and fixed canopy offering a plethora of accessories which gives character to any façade.

### Special features

- radio-controlled motor io as standard
- option of a drop valance up to a projection of 387 cm – vertical protection against low-lying sun, wind and inquisitive glances integrated into the front profile, can be operated by radio remote control
- lighting options can be combined with one another: LED spotlights in the canopy above / below, directional LED spotlights or an LED light tube in the front profile, LED ambient lighting behind the front panel – provide lighting options to create an appealing atmosphere in the evening
- various front panel colours can be combined with the standard awning frame colours
- option of a silentec motor – motor noise is appreciably reduced
- the tilt device technology with integrated windlock mechanism functioning as arm bearers ensures the awning closes cleanly regardless of the pre-set pitch
- awning fits flat against the wall

### Dimensions

- cassette in the standard version: depth 600 mm, height 235 mm
- single unit: minimum width 203 cm at the smallest projection of 187 cm maximum width 700 cm at the largest projection of 437 cm

### Roller tube and lateral bearings

- round roller tube Ø 85 mm with keyway, galvanised steel – excellent stability, ensures near perfect cover performance even at the largest widths
- the inside of the cassette side cap functions as the bearing for the roller tube, made of rolled aluminium, powder coated

### Awning profiles

- extruded aluminium, in façade quality, powder coated
- visible profiles of the canopy housing in two parts, awning housing in two parts.
- Front profile with rain gutter and smooth front panel
- visible front panel made of aluminium, powder coated or of high quality perspex, transparent and dyed all the way through

### Folding arms

- profiles in extruded aluminium, in façade quality powder coated
- moving parts made of drop-forged aluminium – the arms are therefore extremely fracture resistant
- pivot bolts in stainless steel run in teflon-coated bronze bushes – practically maintenance free, virtually silent and extremely hard-wearing
- power transference via the innovative bionic tendon at the elbow joint, made of high tensile, high-tech fibres – low in friction, noiseless, insensitive to corrosion and UV resistant

### Side caps

- the designer end caps for the cassette and canopy are in one piece and made of high-quality plastic, powder coated
- the designer end caps for the front profile are made of high-quality plastic, powder coated, with water drainage holes

### Fixture brackets

- face fixture
- extruded aluminium, powder coated
- stand-off fixture of the cassette in front of the canopy
- awning pitch adjustment range 5° –25°
- spacer plates, stand-off brackets and other accessories are available

01 **Frame and front panel colours**

02 **markilux frame colours without surcharge**

03 traffic white RAL 9016

metallic aluminium RAL 9006

grey brown, similar to RAL 8019



04

05 off-white textured finish, 5233 <sup>1)</sup>

stone grey metallic, 5215 <sup>1)</sup>

anthracite metallic, 5204 <sup>1)</sup>



08 Havana brown textured finish, 5229 <sup>1)</sup>

**Non-standard powder-coated finish**

Bespoke frame colours at a surcharge – matt, metallic and pearl finishes as well as other colour ranges (DB, Tiger etc.) on request. All frame colours are available at a surcharge with enhanced corrosion protection.

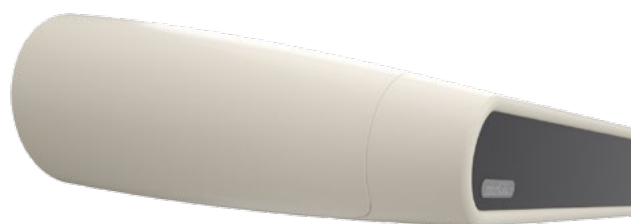


Colours may differ slightly from those depicted in both hue and finish.

<sup>1)</sup> textured finish

09 **Possible combinations**

All standard or ambiente lighting front panel colours can be freely combined with the standard frame colours.



### LED ambient lighting

During the daytime, switched off  
light ivory 1015



yellow 1003



red 3003



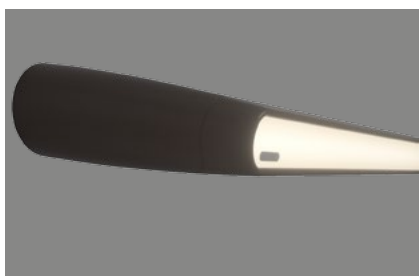
traffic white 9016



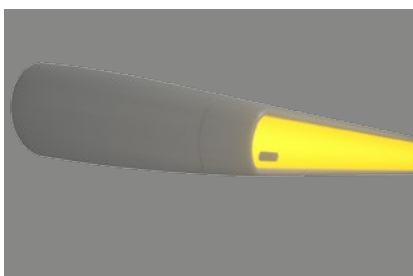
green 6018



During the evening, switched on  
light ivory 1015



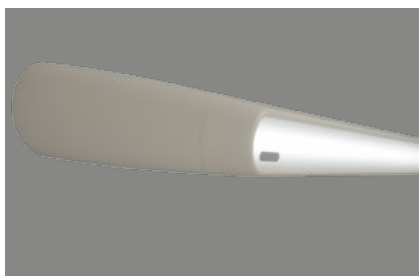
yellow 1003



red 3003



traffic white 9016



green 6018



- 01
- 02
- 03
- 04**
- 05
- 06
- 07
- 08
- 09
- 10
- 11
- 12
- 13
- 14
- 15
- 16
- 17

Colours may differ slightly from those depicted in both hue and finish.

# Dimensions and configuration options

## Single unit

Order dimensions	Overall awning width										Minimum width			
	250	300	350	400	450	500	550	600	650	700	Motor			
	203 250	251 300	301 350	351 400	401 450	451 500	501 550	551 600	601 650	651 700				
<b>H</b>	187	237	287	337	387	437 <sup>2)</sup>					216	203	463	450
	—	—	—	—	—	—	—	—	—	—	266	253	513	500
	—	—	—	—	—	—	—	—	—	—	316	303	563	550
	—	—	—	—	—	—	—	—	—	—	366	353	613	600
	—	—	—	—	—	—	—	—	—	—	429	416	663	650
	—	—	—	—	—	—	—	—	—	—	479	466	—	700

dimensions in cm

1) = please note the minimum widths!

2) = drop valance not available

H = projection

= 2 folding arms, 2 brackets

= 2 folding arms, 3 brackets, 1 rolltex bearing

= 3 folding arms, 4 brackets, 2 rolltex bearings

= 2 standard arms

= 2 bespoke arms (surcharge)

= 3 standard arms

= 3 bespoke arms (surcharge)

### Operation

	standard	optional
crank handle	—	—
spring-assisted crank handle	—	—
hard-wired motor	—	✓
silentec motor (optionally with an external io / RTS receiver) <sup>1)</sup>	—	✓
radio-controlled motor io, 868 MHz	✓	—
radio-controlled motor RTS, 433 MHz	—	✓
radio-controlled motor RTS, 433 MHz with manual override <sup>1)</sup>	—	—

1) for awnings with a maximum of 2 arms

### Coupled Awning

not available

### Awning cover

	fabric range no.	standard	optional
sunvas	301.. / 309..-315..	✓	—
perla	370..	—	✓
sunsilk	324.. / 325.. / 328.. / 369..	✓	—
perla FR	374.. / 375..	—	✓
perfotex	331.. / 332..	—	—
transolair	338..	—	—
vuscreen Alu	317..	—	—
Soltis Perform 92	92-20..	—	—
glass fibre screen	272..	—	—
valance <sup>1)</sup> , height 20 cm		—	✓

1) can only be attached to a drop valance

### Shadeplus / drop valance

	standard	optional
height 170 cm		
max. projection 387 cm		
crank handle	—	—
hard-wired motor	—	✓
radio-controlled motor io, 868 MHz	✓	—
radio-controlled motor RTS, 433 MHz	—	✓
cover	sunvas / sunsilk / transolair / vuscreen Alu	

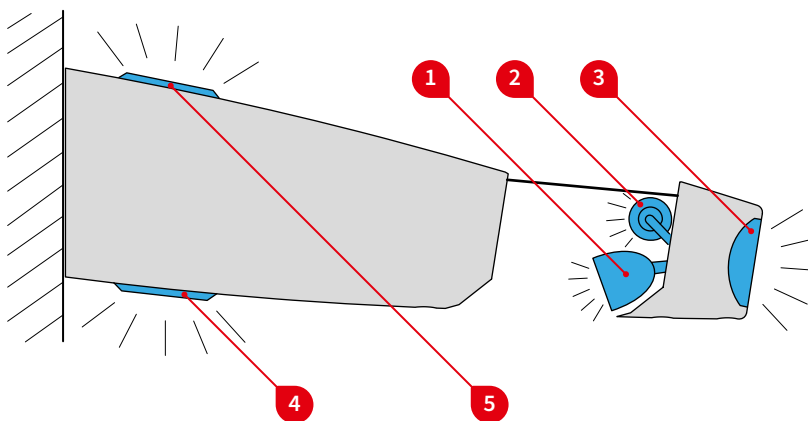
**Optional accessories**

drop valance, motor operation
LED spotlights in the canopy facing up and/or down
LED-Line <sup>1)</sup> in the front profile
LED spotlights <sup>1)</sup> in the front profile
LED-ambiente lighting in the front profile
valance (can only be attached to a drop valance)
infrared heater 2000 W / 2500 W
infrared heater 2500 W with integrated radio-controlled receiver 868 MHz io

1) LED-Line and LED spotlights cannot be combined with one another.

**Fixture brackets**

face fixture bracket	72618.
spreader plate A 430 × 160 × 12 mm	75328.
spreader plate B 300 × 400 × 12 mm	75327.
stand-off bracket 80–300 mm	77970.

**Lighting options****Lighting options**

1) LED spotlights <sup>1)</sup> in the front profile
2) LED-Line <sup>1)</sup> in the front profile
3) LED ambiente lighting in the front profile
4) LED spotlights in the canopy, underneath
5) LED spotlights in the canopy, on top

1) LED-Line and LED spotlights cannot be combined with one another.

**Control**

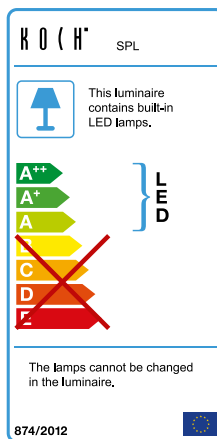
	standard	optional
operation on/off	—	✓
radio-controlled dimmer io 868 MHz	✓	—
radio-controlled dimmer RTS 433 MHz	—	✓

01

**1** LED spotlights in the front profile

**Technical specification**

operating voltage	230 V, 50 Hz
power output of an LED spotlight	5 W
bulbs	LED (12 V)
number of transformers	1 unit
light temperature	2700 K
IP protection class	IP 44
service life	approx. 20,000 h



04

05

06

07

08

09

10

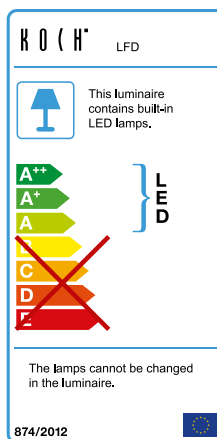
**2** and **3** LED-Line and LED ambient lighting in the front profile

**Technical specification**

operating voltage	230 V, 50 Hz
power output per metre	10 W <sup>1)</sup>
bulbs	LED (12 V)
number of LEDs	120 pieces / m <sup>2)</sup>
number of transformers	1 unit
light temperature	3200 K
IP protection class	IP 44
service life	approx. 15,000 h <sup>3)</sup>

In the case of LED ambient lighting in awning widths > 600 cm:

- 1) 9 W / m
- 2) 90 pcs / m
- 3) approx. 20.000 h



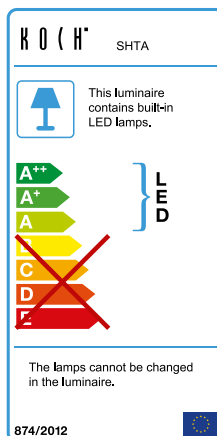
16

17

**4** and **5** LED spotlights in the front profile (underneath / on top)

**Technical specification**

operating voltage	230 V, 50 Hz
power output of an LED spotlight	3.5 W
bulbs	LED (12 V)
number of transformers	1 units
light temperature	3200 K
IP protection class	IP 44
service life	approx. 15,000 h

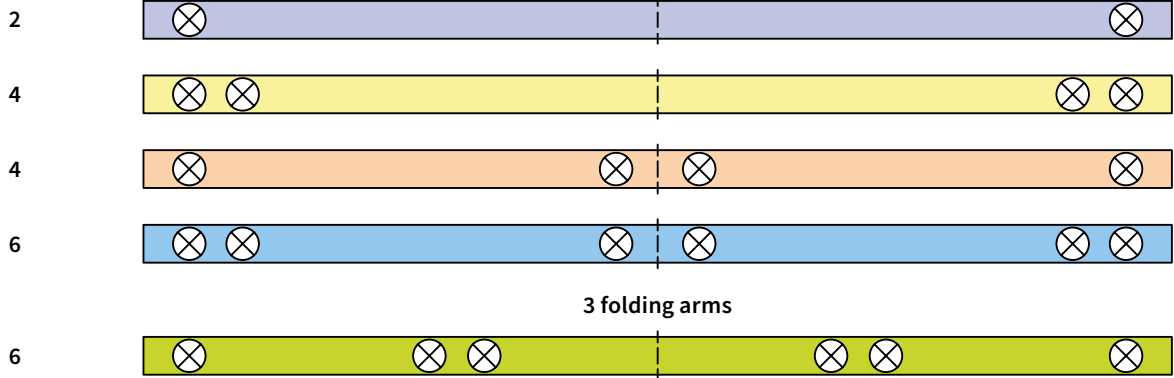




1 LED spotlight in the front profile – distribution table

Number of LED spotlights

2 folding arms



01  
02  
03  
04  
05  
06  
07  
08

1 Number and distribution of the LED spotlights in the front profile

Overall awning width	Projection					
	187	237	287	337	387	437
228-247	2	—	—	—	—	—
248-250	4	—	—	—	—	—
251-262	—	—	—	—	—	—
263-277	4	—	—	—	—	—
278-282	4	2	—	—	—	—
283-297	6	2	—	—	—	—
298-300	6	4	—	—	—	—
301-312	—	—	—	—	—	—
313-327	4	4	—	—	—	—
328-332	4	4	2	—	—	—
333-347	6	6	2	—	—	—
348-350	6	6	4	—	—	—
351-358	—	—	—	—	—	—
359-378	4	4	4	—	—	—
379-397	6	6	6	2	—	—
398-400	6	6	6	4	—	—
401-418	4	4	4	2	—	—
419-440	6	6	6	4	—	—
441-450	6	6	6	4	2	—
451-458	4	4	4	4	2	—
459-460	6	6	6	6	2	—
461-490	6	6	6	6	4	—
491-500	6	6	6	6	4	2
501-518	4	4	4	4	4	2
519-550	6	6	6	6	6	4
551-568	4	4	4	4	4	—
569-600	6	6	6	6	6	—
601-650	6	6	6	6	—	—
651-674	6	6	6	—	—	—
675-700	6	6	6	—	—	—

09  
10  
11  
12  
13  
14  
15  
16  
17

dimensions in cm

01 **4** and **5** LED spotlight distribution in the canopy, above / below

02

03

**04**

05

06

07

08

09

10

11

12

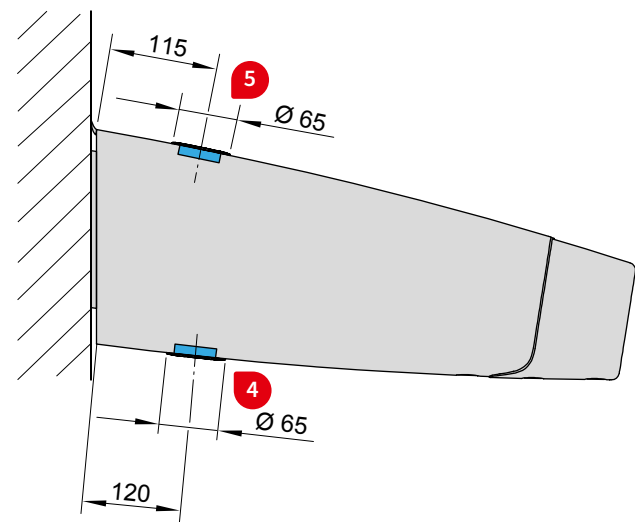
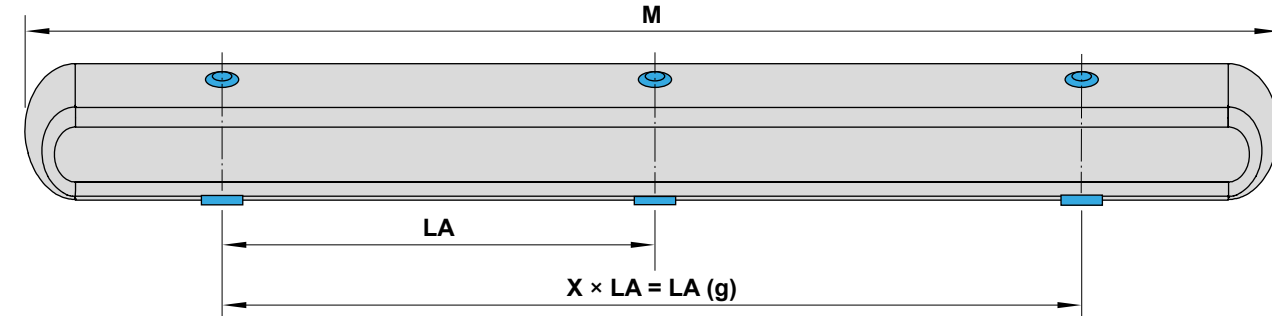
13

14

15

16

17



**4** and **5** Number and distribution of the LED spotlights in the canopy, above / below

Overall awning width	No. of spotlights	LA	LA (g)
150-250	3	75	150
251-300	3	98	196
301-350	3	98	196
351-400	4	98	294
401-450	4	98	294
451-500	5	98	392
501-550	5	98	392
551-600	6	98	490
601-650	6	98	490
651-700	6	98	490

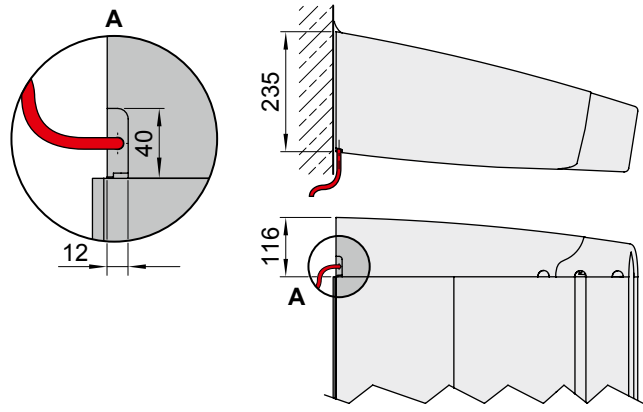
dimensions in cm

LA (g) = total distance from the first to the last spotlight

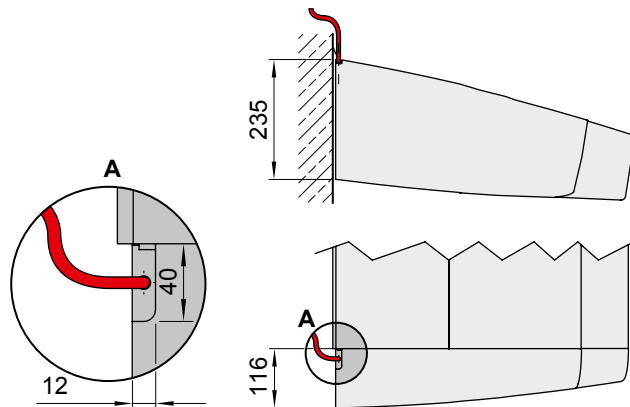
M = order dimension = awning width

dimensions in mm

### Cable exit point underneath (standard)



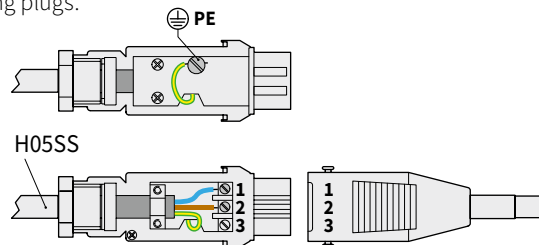
### Cable exit point on top (optional)



dimensions in mm

### Electrical connection

The awning is connected with a **single power supply cable** (even if optional accessories such as illumination and shadeplus are included) and split out via coupling plugs.



Hirschmann coupling plug

**3 × 1.0 mm<sup>2</sup>**

**1** = neutral N (blue)

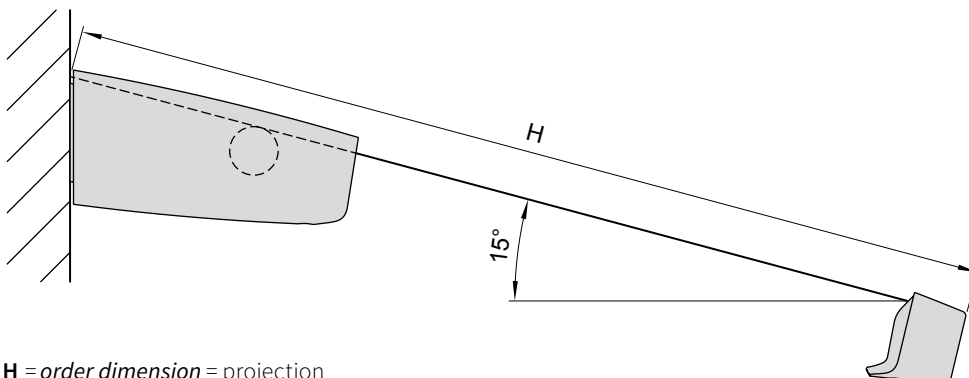
**2** = live L (brown)

**3** = not in use

**PE** = earth (green / yellow)

### Definition of unit height

The nominal projection is measured with the awning extended at a pitch of approximately 15° from the back of the fixture brackets over the cover to the leading edge of the front profile. For the tolerances in the projection please consult the section "Technical Information".

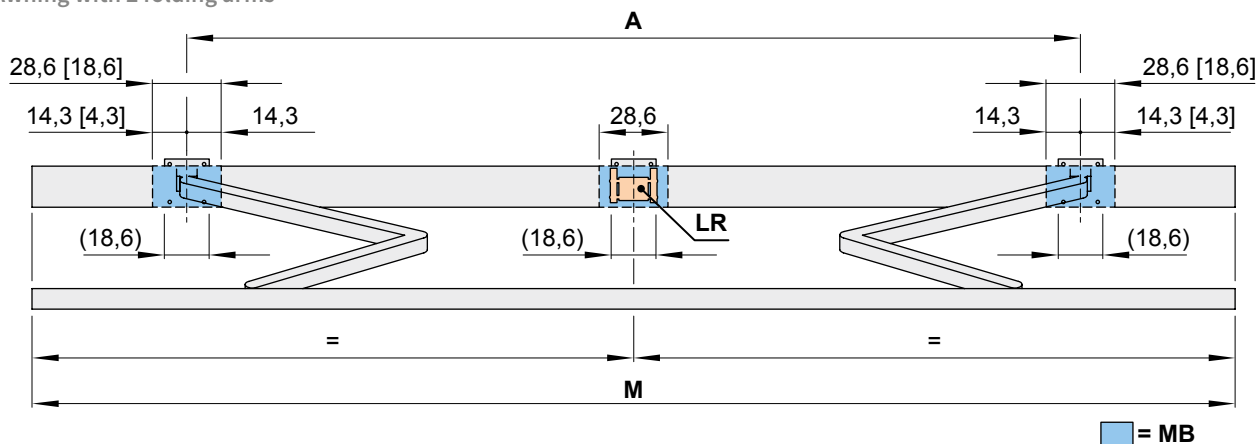


H = order dimension = projection

01  
02  
03  
**04**  
05  
06  
07  
08  
09  
10  
11  
12  
13  
14  
15  
16  
17

# Bracket fixture range

Awning with 2 folding arms



dimensions in cm

### Overall awning width

	250	300	350	400	450	500	550	600	650
<b>Order dimensions</b>	203 250	251 300	301 350	351 400	401_ 450	451 500	501 550	551 600	601 650

### Arm position A

H	BHT	Arm position A								
		187	204	254	300	340	380	440	490	510
187	169 <sup>1)</sup>	204	254	300	340	380	440	490	510	
237	—	219 <sup>1)</sup>	254	300	340	380	440	490	510	
287	—	—	269 <sup>1)</sup>	300	340	380	440	490	510	
337	—	—	—	319 <sup>1)</sup>	340	380	440	490	510	
387	—	—	—	—	382 <sup>1)</sup>	390	440	490	—	
437	—	—	—	—	—	432 <sup>1)</sup>	440	—	—	

### No of brackets | No. of fixing points

W	BHT	No of brackets		No. of fixing points	
18.6	18.6	2   8		3   12	
BP		A 2   16    B 2   8		A 2   16    B 2   8	
DP		—		1	

dimensions in cm

1) Dimension A is only valid for standard arms! Dimension A is 13 cm smaller in the case of bespoke arms. Please note the minimum widths! If the brackets cannot be positioned in accordance with this table, make sure the actual measurements are noted on the order form!

[...] = dimensions only apply at the minimum widths

(...) = width of standard fixture brackets

A = arm position

BHT = bracket width

BP = spreader plate A or B, to be positioned behind the folding arm

DP = spacer plate 74989., to be positioned behind the rolltex bearing in the case of fixture with spreader plate A or B

H = order dimension = projection

LR = a rolltex bearing with accompanying bracket is always placed under a central seam (depends on the awning size)

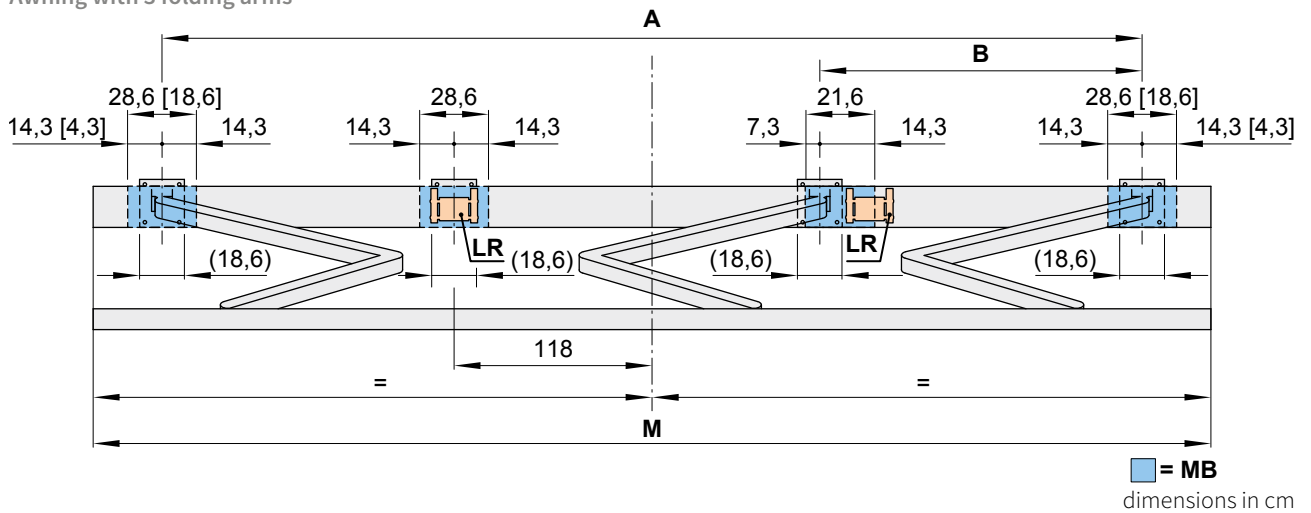
M = order dimension = awning width

MB = bracket fixture range

W = face fixture

# Bracket fixture range

Awning with 3 folding arms



		Overall awning width				
		650	700			663
Order dimensions		650	651	675	651	663
			674	700	662	700

		Arm position A / B									
		A	B	A	B	A	B	A	B	A	B
H	187	—	—	570	184	590	194	—	—	—	—
	237	—	—	570	184	590	194	—	—	—	—
	287	—	—	570	184	590	194	—	—	—	—
	337	—	—	570	184	590	194	—	—	—	—
	387	603 <sup>1)</sup>	200 <sup>1)</sup>	—	—	—	—	604 <sup>1)</sup>	201 <sup>1)</sup>	616	207
	437	—	—	—	—	—	—	—	653 <sup>1)</sup>	225 <sup>1)</sup>	

BHT		No. of brackets   No. of fixing points	
W	18.6	4   16	
BP		A 3   24	
DP		1	

dimensions in cm

1) Please note the minimum widths! If the brackets cannot be positioned in accordance with this table, make sure the actual measurements are noted on the order form!

[...] = dimensions only apply at the minimum widths

(...) = width of standard fixture brackets

A = arm position

B = arm position

BHT = bracket width

BP = spreader plate A or B, to be positioned behind the folding arm

DP = spacer plate 74989., to be positioned behind the rolltex bearing in the case of fixture with spreader plate A or B

H = order dimension = projection

LR = a rolltex bearing with accompanying bracket is always placed under a central seam (depends on the awning size)

M = order dimension = awning width

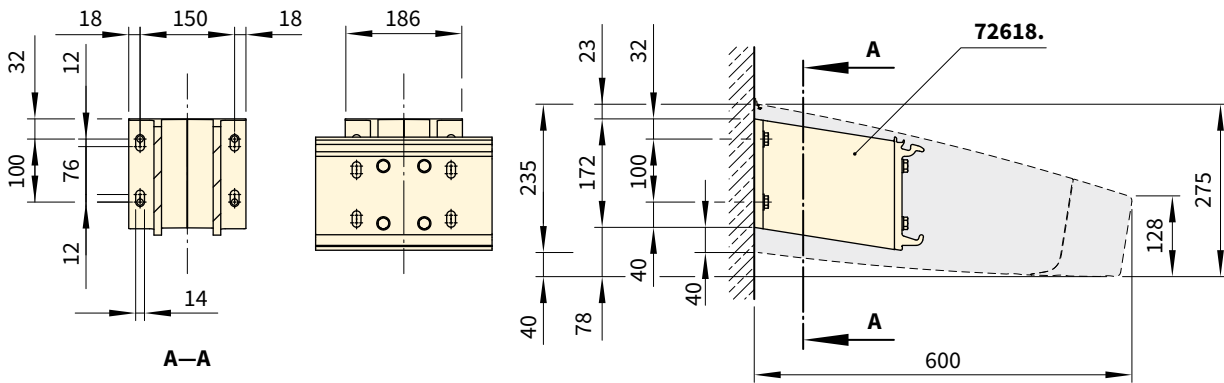
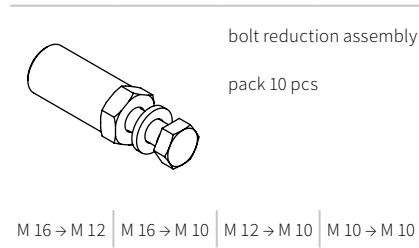
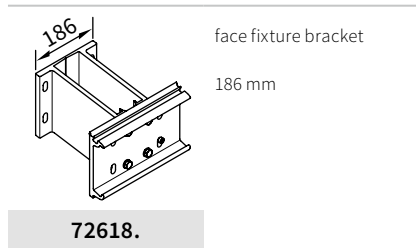
MB = bracket fixture range

W = face fixture

01  
02  
03  
04  
05  
06  
07  
08  
09  
10  
11  
12  
13  
14  
15  
16  
17

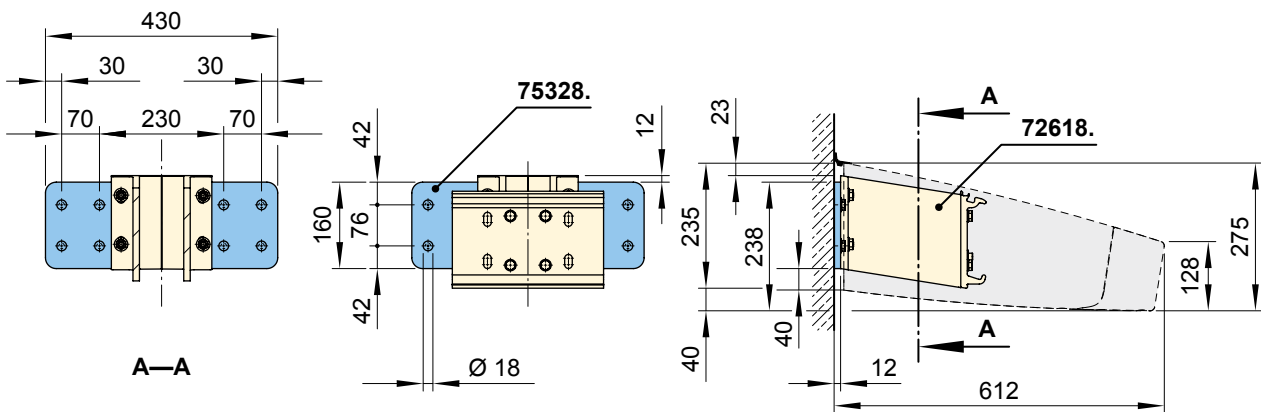
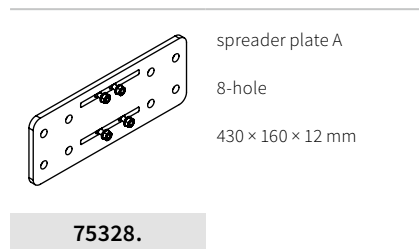
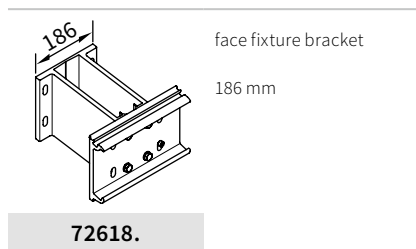
## Face fixture

Fixtures, fittings and accessories



## Face fixture with spreader plate A

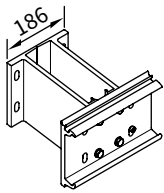
Fixtures, fittings and accessories



dimensions in mm

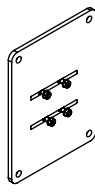
# Face fixture with spreader plate B

Fixtures, fittings and accessories



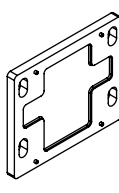
face fixture bracket  
186 mm

**72618.**



spreader plate B  
300 × 400 × 12 mm  
4-hole

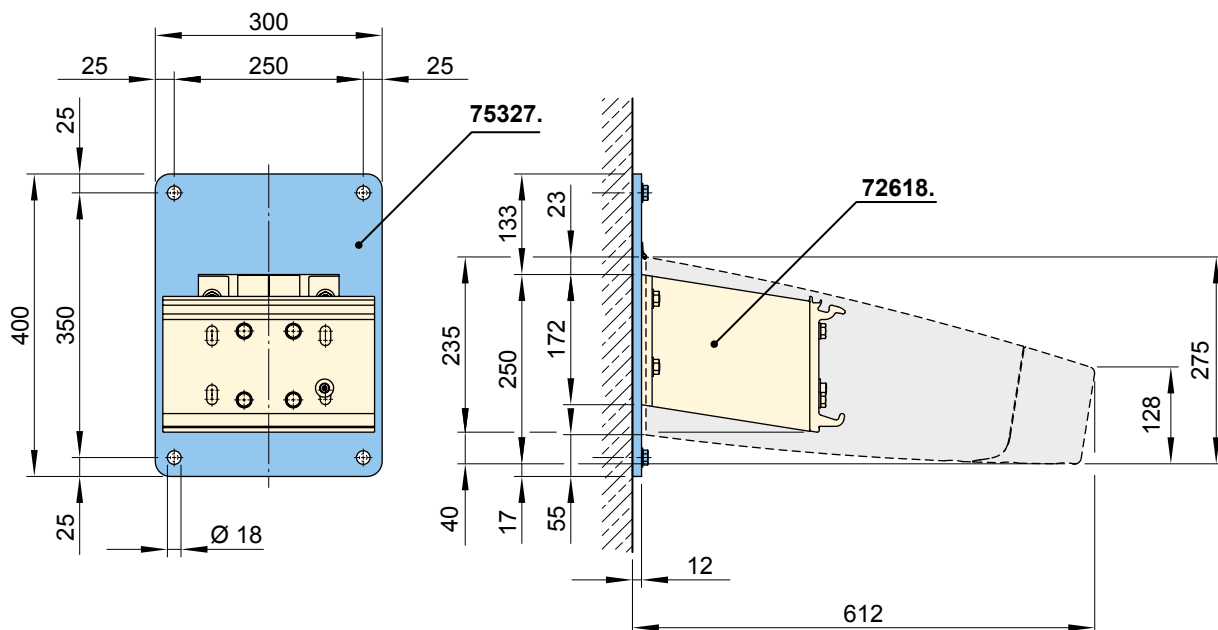
**75327.**



spacer plate for face fixture  
180 × 150 × 12 mm

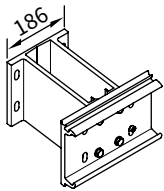
**N.B!**  
stack to a max. height of 200 mm

**74989.**



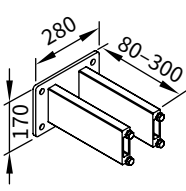
# Face fixture with stand-off bracket

Fixtures, fittings and accessories



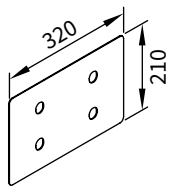
face fixture bracket  
186 mm

**72618.**



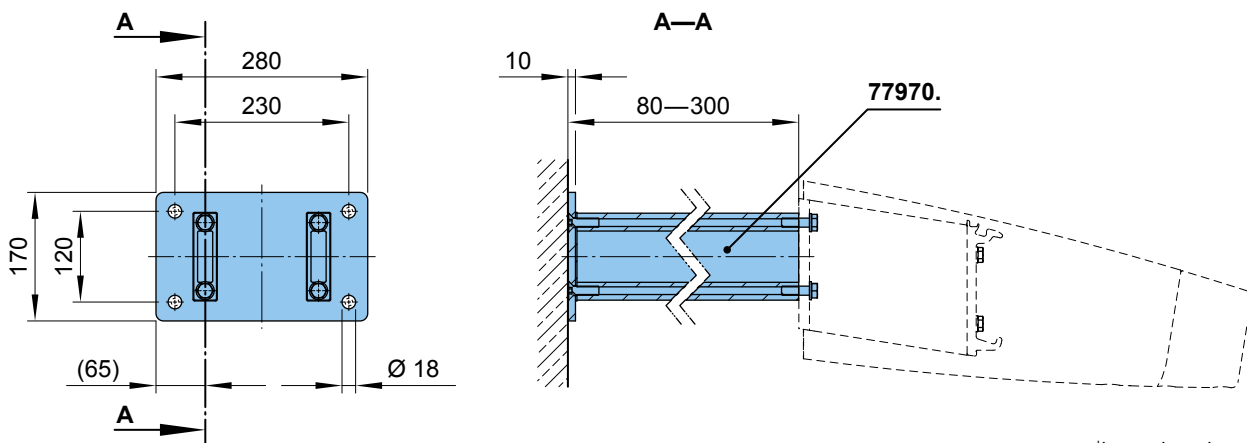
stand-off bracket  
80–300 mm

**77970.**



cover plate for spacer plate and stand-off brackets in case of external insulation  
320 × 210 × 2 mm

**71842.**



dimensions in mm

01  
02  
03  
**04**  
05  
06  
07  
08  
09  
10  
11  
12  
13  
14  
15  
16  
17

01

02

03

**04**

05

06

07

08

09

10

11

12

13

14

15

16

17