



Semi-cassette awning

markilux 1600 stretch

The awning with excellent design features and well-thought-out-mechanics. Large projections at limited widths – the perfect solution for narrow reveals, balconies and patios.



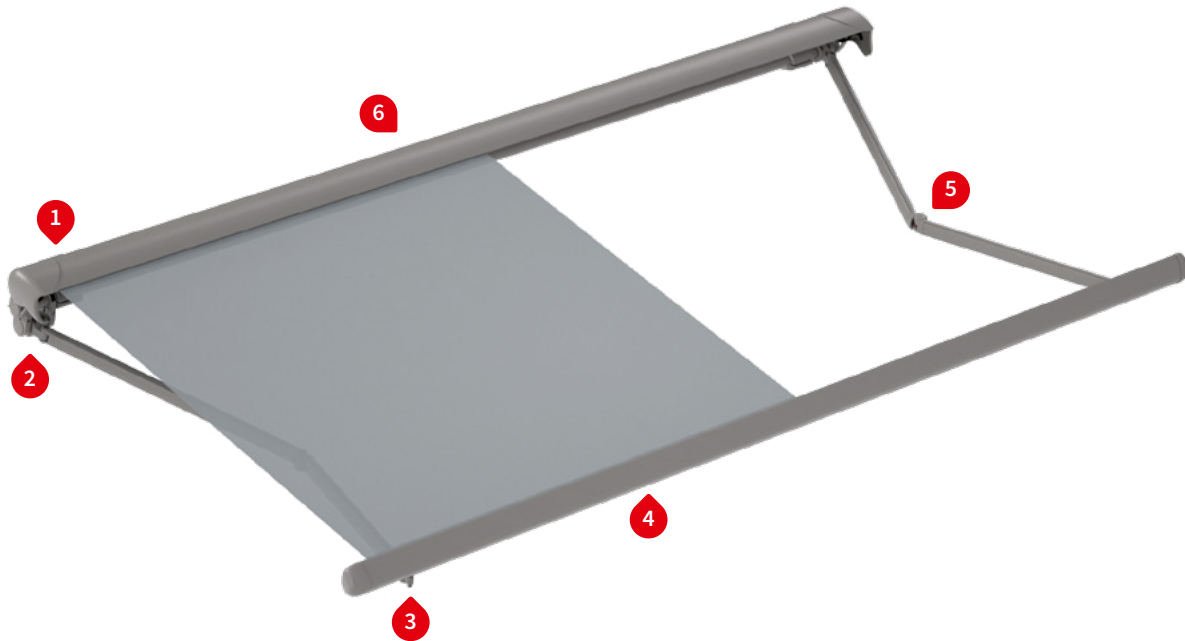
product
design award

markilux.com

markilux
safe timeless beautiful

Product characteristics

Wind resistance class 2
Beaufort 5 → 7.5–10.4 m/s → 28–37 km/h → 17–23 mph



11

1 face fixture



1 face fixture, maximum pitch 25°



1 top fixture



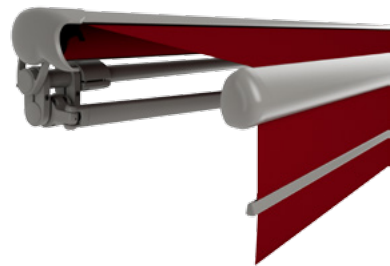
2 folding arm suspended from the torque bar



3 connection of the lower folding arm to the front profile



4 drop valance 1)



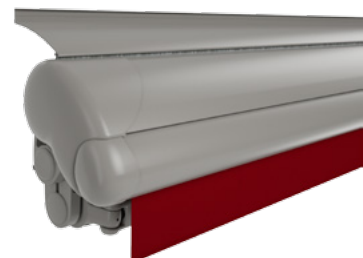
5 twin steel-link chains, corrosion protected



5 bionic tendon made of high-tech fibres for optimum power transferance 1)



6 wall sealing profile up to a pitch of 15° 1)



1) optional configuration

Product characteristics

Description

- the folding-arm awning with exceptional, organic design characteristics and pivoting coverboard, ideally suited for shading large areas. The smart engineered arm technology allows shading of areas with more depth than width.

Special features

- awning with an extremely torsion-resistant, round torque bar
- the tiered arms make greater projections than widths possible
- option of a silentec motor – motor noise is appreciably reduced
- during the closing procedure, the coverboard tilts automatically down to meet the given pitch of the awning and together with the front profile encloses the roller tube completely (the awning is open underneath)
- option of a drop valance up to a projection of 350 cm – vertical protection against low-lying sun and inquisitive glances integrated into the front profile, can be operated manually
- coverboard with integrated brush so that debris does not get dragged into the awning as it closes

Dimensions

- awning in standard version: depth 275 mm, height 297 mm
- single unit: minimum width 122 cm at the smallest projection of 150 cm minimum width 247 cm at the largest projection of 400 cm

Roller tube and lateral bearings

- round roller tube Ø 85 mm with keyway, galvanised steel – excellent stability, ensures near perfect cover performance even at the largest widths
- the roller tube support bracket is made of extruded aluminium, powder coated, visually masked by the coverboard end cap

Awning profiles

- extruded aluminium, in façade quality, powder coated
- oval, single-piece coverboard, pre-fitted, enclosing the awning from behind and above
- semi-circular front profile incorporated into the coverboard during closing
- round torque bar Ø 50 mm, galvanised both inside and out, powder coated

Folding arms

- profiles in extruded aluminium, in façade quality, powder coated
- moving parts made of drop-forged aluminium – the arms are therefore extremely fracture resistant
- pivot bolts in stainless steel run in Teflon-coated bronze bushes – practically maintenance free, virtually silent and extremely hard-wearing
- power transference via corrosion-protected twin steel-link chains at the elbow joint, optionally with innovative bionic tendon made of high tensile, high-tech fibres – low in friction, noiseless, insensitive to corrosion and UV resistant

Side caps

- the coverboard end caps are made of high-quality plastic, powder coated
- the front profile and torque bar end caps are made of high-quality plastic, powder coated or in polished chrome

Fixture brackets

- face fixture, top fixture, eaves fixture
- extruded aluminium, powder coated
- pitch adjustment range from 5°–25°; infinitely variable
- spacer plates, stand-off brackets and other accessories are available

01 **Frame and end cap colours**

markilux frame colours without surcharge

02 traffic white RAL 9016



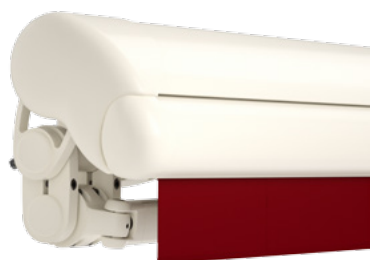
metallic aluminium RAL 9006



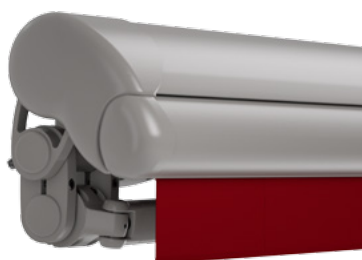
grey brown, similar to RAL 8019



07 off-white textured finish, 5233 ¹⁾



stone grey metallic, 5215 ¹⁾

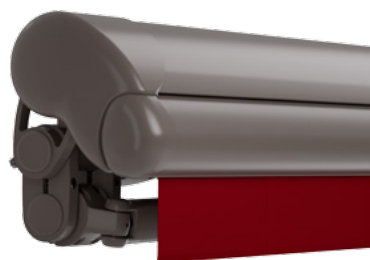


anthracite metallic, 5204 ¹⁾



11

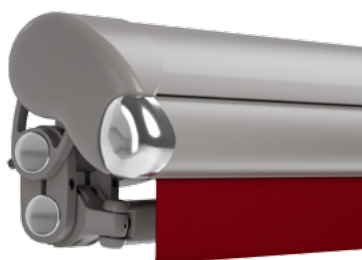
Havana brown textured finish, 5229 ¹⁾



17 off-white textured finish, 5233 ¹⁾
front profile and torque bar end cap
in polished chrome



stone grey-metallic 5215 ¹⁾
front profile and torque bar end cap
in polished chrome



anthracite metallic, 5204 ¹⁾
front profile and torque bar end cap
in polished chrome



Combination options – possible in any frame colour

Non-standard powder-coated finish





Bespoke frame colours at a surcharge – matt, metallic and pearl finishes as well as other colour ranges (DB, Tiger etc.) on request. All frame colours are available at a surcharge with enhanced corrosion protection

¹⁾ textured finish

Colours may differ slightly from those depicted in both hue and finish.




Dimensions and configuration options

Single unit

		Overall awning width							Minimum width				
		160	185	210	235	260	310	360	410	Motor		Crank handle	
Order dimensions		122	161	186	211	236	261	311	361				
		160	185	210	235	260	310	360	410				
H	150	3)		2)	—	—	—	—	—	135	122	139	126
	200	3)			2)	2)	—	—	—	160	147	164	151
	250	—	3)				2)	—	—	185	172	189	176
	300	—	—	3)				2)	—	210	197	214	201
	350	—	—	—	3)				2)	235	222	239	226
	400 ¹⁾	—	—	—	—	3)				260	247	264	251

dimensions in cm

1) = drop valance not available
 2) = inside dimensions on request
 3) = observe the minimum widths!
 H = projection

 = 2 folding arms, 2 brackets
 = 2 standard arms
 = 2 bespoke arms (surcharge)

Operation	standard	optional
crank handle	✓	—
spring-assisted crank handle	—	✓
Hard-wired motor	—	✓
silentec motor (optionally with an external io / RTS receiver)	—	—
radio-controlled motor io, 868 MHz	—	✓
radio-controlled motor RTS, 433 MHz	—	✓
radio-controlled motor RTS, 433 MHz with manual override	—	✓

Coupled Awning

not available

Awning cover	fabric range no.	standard	optional	Shadeplus / drop valance	standard	optional
sunvas	301.. / 309..–315..	✓	—	height 150 cm or 210 cm 1)		
perla	370 ..	—	✓	maximum projection 350 cm		
sunsilk	324.. / 325.. / 328.. / 369..	✓	—	crank handle	✓	—
perla FR	374.. / 375..	—	✓	Hard-wired motor	—	—
perfortex	331.. / 332..	—	—	radio-controlled motor io, 868 MHz	—	—
transolair	338..	—	—	radio-controlled motor RTS, 433 MHz	—	—
vuscreen Alu	317..	—	—	cover	sunvas / sunsilk / transolair / vuscreen Alu 2)	
Soltis Perform 92	92-20..	—	—	1) depending on the fabric width (fabric width 120 cm) with horizontal seam		
glass fibre screen	272..	—	—	2) vuscreen Alu: max. height 150 cm		
volant, height 15 cm		—	✓			

01	Optional accessories
02	manual drop valance
03	folding arm technology with bionic tendon
04	wall sealing profile (effective up to a maximum awning pitch of 15°)
05	valance
06	infrared heater 2000 W / 2500 W
07	infrared heater 2500 W with integrated radio-controlled receiver 868 MHz io
08	LED spotline – light bar 110 × 70 mm with 5 W LED spotlights, width 180 cm / 3 spots or 300 cm / 5 spots
09	LED spotline io – light bar 110 × 70 mm with 5 W LED spotlights with integrated dimmable radio-controlled receiver, width 180 cm / 3 spots or 300 cm / 5 spots
10	LED spotline io – light bar 145 × 75 mm with 5 W LED spotlights with integrated dimmable radio-controlled receiver and remote control, 180 cm / 3 spots or 300 cm / 5 spots (discontinued from January 2018)
11	Halogen spotline – light bar 89 mm × 40 mm with 20 W halogen spotlights, 200 cm / 3 spots or 300 cm / 5 spots
12	automatic controls (light, wind, rain)

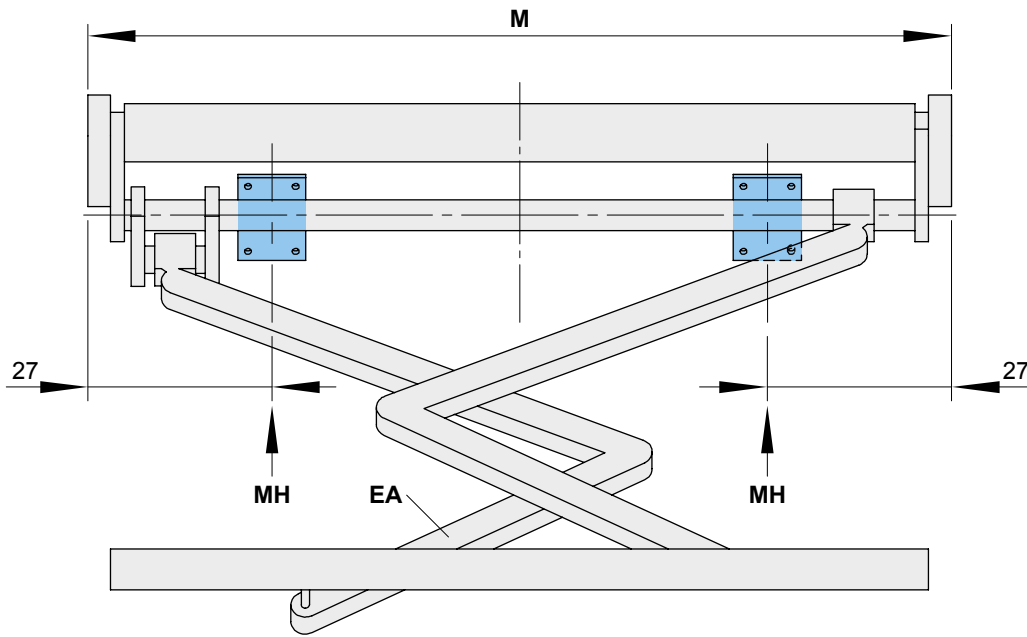
Fixture options

wall bracket 100 mm	70867.
spreader plate A 430 × 160 × 12 mm	75326.
spreader plate B 300 × 400 × 12 mm	75325.
stand-off bracket wide 80–300 mm	77968.
top fixture bracket 90 mm	70868.
eaves fixture bracket 90 mm, 150 mm plate	71612.
eaves fixture bracket 90 mm, 270 mm plate	71659.
flat plate and angled bracket for eaves fixture, machine finish aluminium, 500 mm plate	716620
spreader plate 260 × 60 × 12 mm for eaves fixture bracket	75383.
eaves fixture bracket adjustable 7,5°–60°	71198.
angled profile for eaves fixture 100 × 100 × 10 mm, machine finish aluminium, undrilled, by the metre (max. 3 m)	79380.

N.B! – Important background information can be found in the chapter “Optional Accessories”.

Bracket fixture range

Awning with 2 folding arms



dimensions in cm

		Overall awning width							
		160	185	210	235	260	310	360	410
Order dimensions		122	161	186	211	236	261	311	361
		160	185	210	235	260	310	360	410
BHT		No. of brackets No. of fixing points							
W	10	2 6							
BP		A 2 16 B 2 8							
DE ¹⁾	9	2 8							
DA ¹⁾	9	2 8							

dimensions in cm

1) = for information regarding other fixture options, please refer to the section "Pull-out forces" in the online Mediathek at markiluxpro.com

BHT = bracket width

BP = spreader plate A or B, to be positioned behind the folding arm

DA = eaves fixture bracket

DE = top fixture bracket

EA = deep folding-arm (opposite of the drive side)

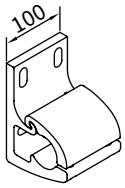
M = *order dimension* = awning width

MH = bracket centre

W = face fixture bracket

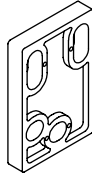
Face fixture

Fixtures, fittings and accessories



face fixture bracket
100 mm

70867.



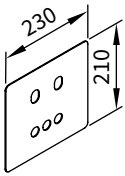
spacer plate for face fixture
100 × 150 × 20 mm
N.B!
stack to a max. height of 200 mm

718231



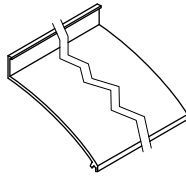
spacer plate for face fixture
100 × 150 × 12 mm

718241



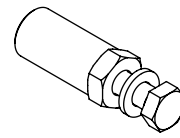
cover plate for spacer plate and stand-off brackets in the case of external insulation
230 × 210 × 2 mm

71843.



wall sealing profile
available by the metre

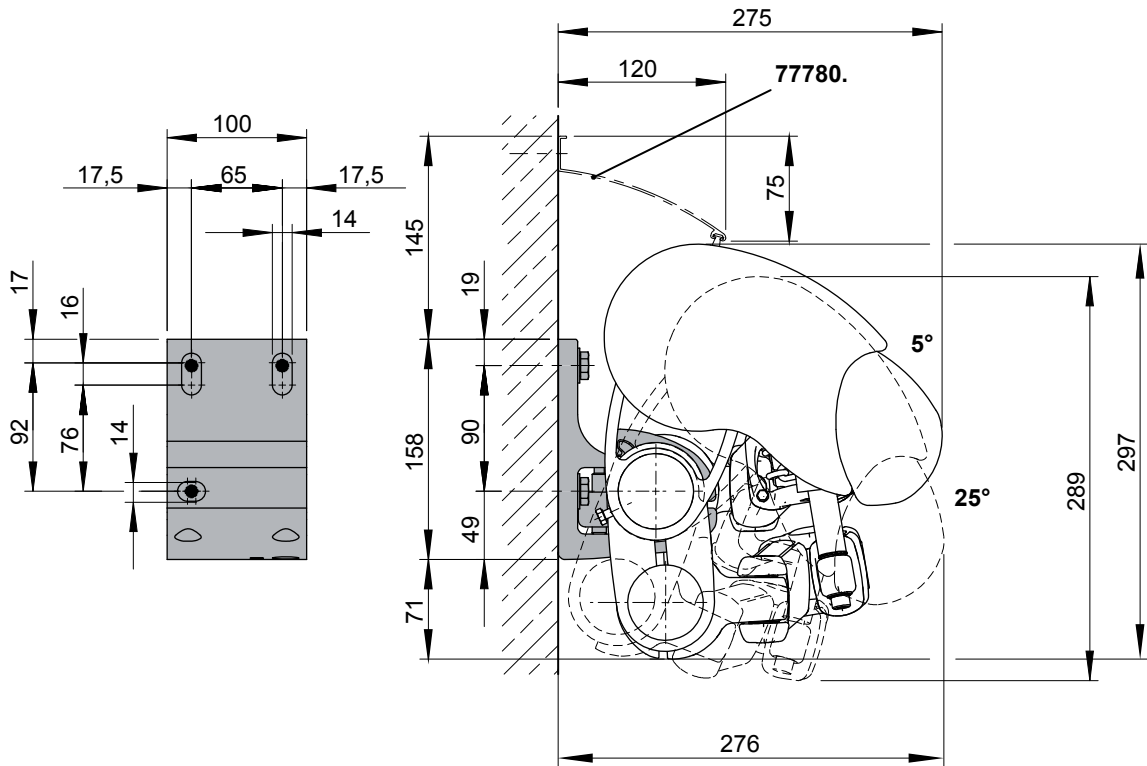
77780.



bolt reduction assembly
pack 10 pcs

M 16 → M 12 | M 16 → M 10 | M 12 → M 10 | M 10 → M 10

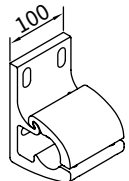
11



dimensions in mm

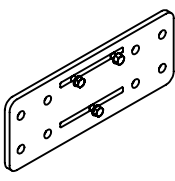
Face fixture with spreader plate A

Fixtures, fittings and accessories



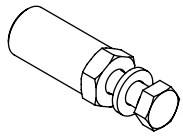
face fixture bracket
100 mm

70867.



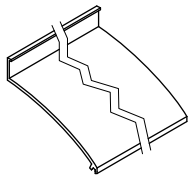
spreader plate A
face fixture
430 × 160 × 12 mm

75326.



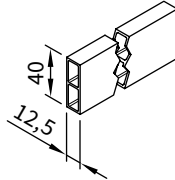
bolt reduction assembly
pack 10 pcs

M 16 → M 12 | M 16 → M 10 | M 12 → M 10 | M 10 → M 10



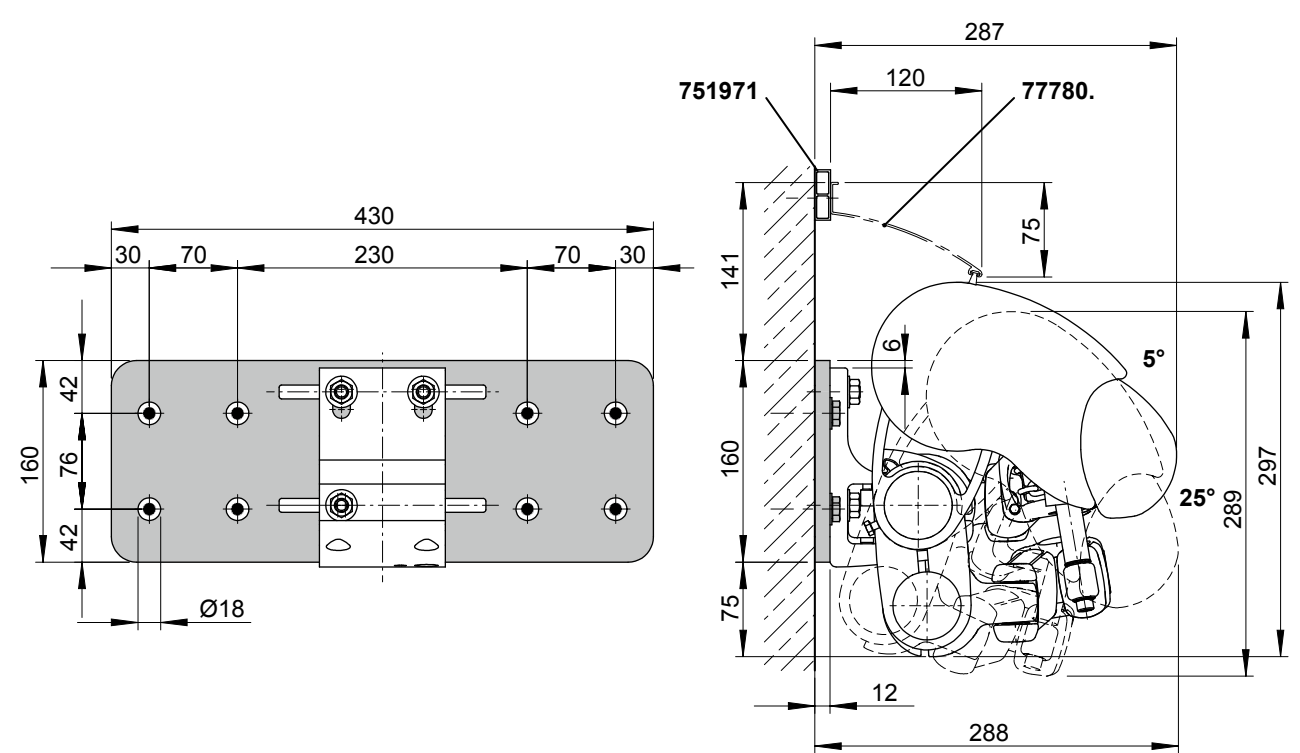
wall sealing profile
available by the metre

77780.



stand-off strip for
wall sealing profile
available by the metre

751971

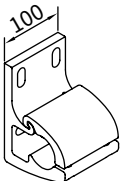


dimensions in mm

01
02
03
04
05
06
07
08
09
10
11
12
13
14
15
16
17

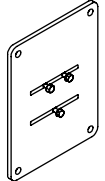
01 **Face fixture with spreader plate B**

02 Fixtures, fittings and accessories

03  face fixture bracket
100 mm

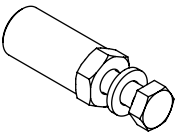
04

05 **70867.**

03  spreader plate B
face fixture
300 × 400 × 12 mm

04

05 **75325.**

03  bolt reduction assembly
pack 10 pcs

04

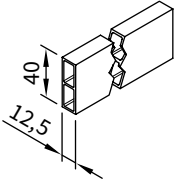
05 M 16 → M 12 | M 16 → M 10 | M 12 → M 10 | M 10 → M 10

06  wall sealing profile
available by the metre

07

08

09 **77780.**

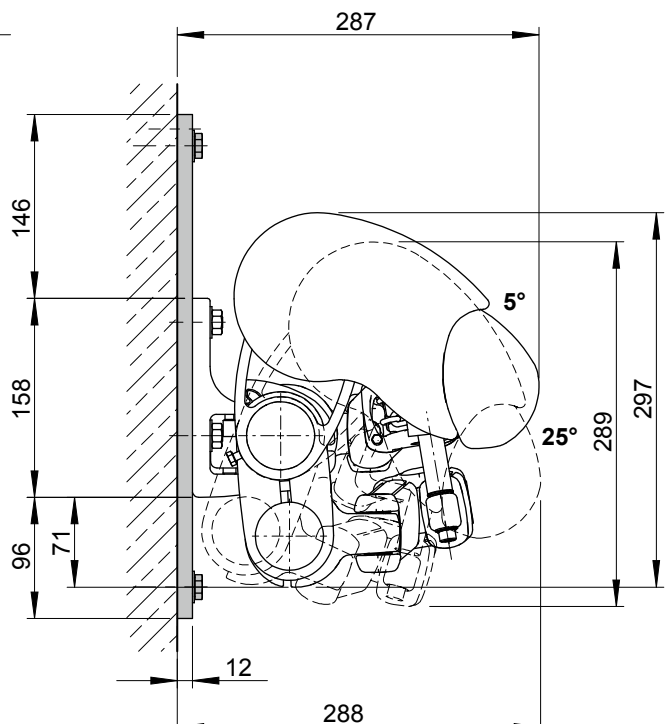
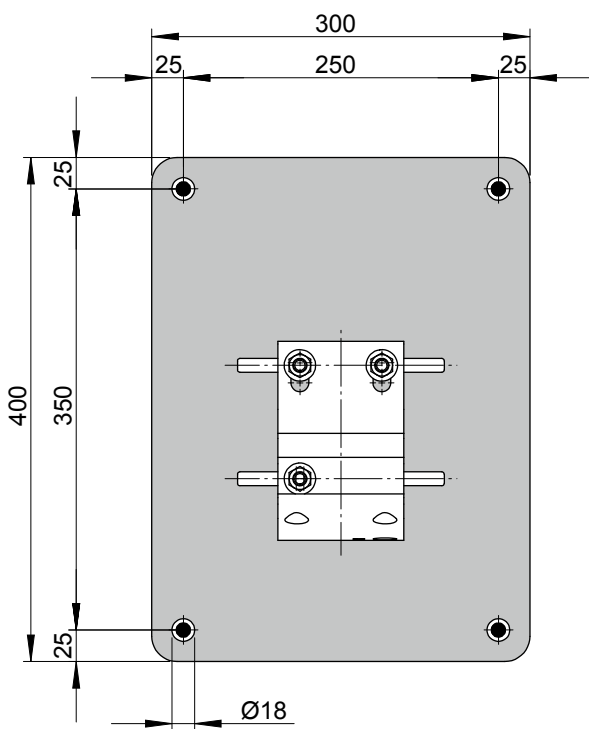
06  stand-off strip for
wall sealing profile
available by the metre

07

08

09 **751971**

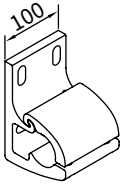
11



dimensions in mm

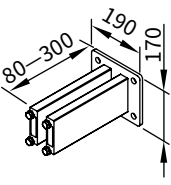
Face fixture with stand-off bracket

Fixtures, fittings and accessories



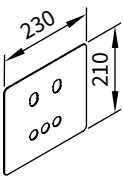
face fixture bracket
100 mm

70867.



stand-off bracket
for face fixture bracket
70867.

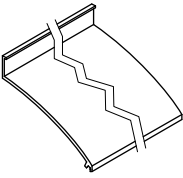
77968.



cover plate
for spacer plate
and stand-off brackets
in the case of external
insulation

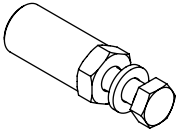
230 × 210 × 2 mm

71843.



wall sealing profile
available by the metre

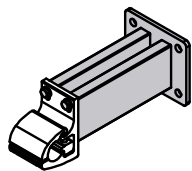
77780.



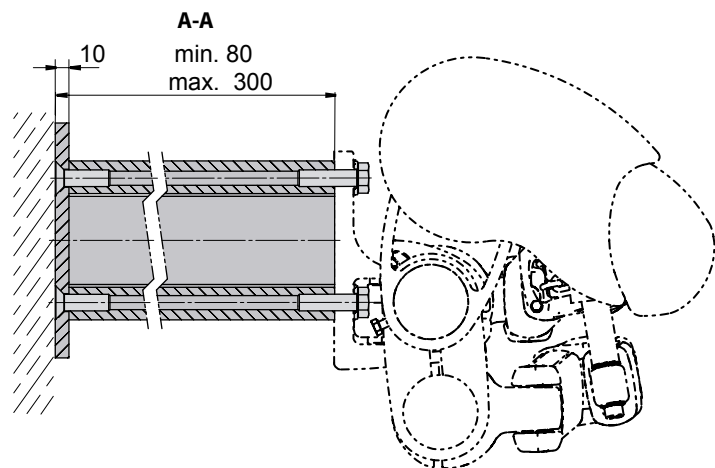
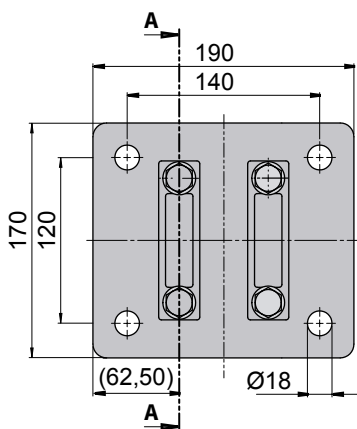
bolt reduction assembly
pack 10 pcs

M 16 → M 12 | M 16 → M 10 | M 12 → M 10 | M 10 → M 10

- 01
- 02
- 03
- 04
- 05
- 06
- 07
- 08
- 09
- 10
- 11**
- 12
- 13
- 14
- 15
- 16
- 17



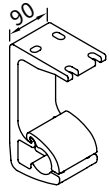
77968.



dimensions in mm

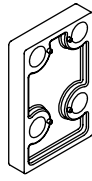
01 **Top fixture**

02 Fixtures, fittings and accessories



top fixture bracket
90 mm

05 **70868.**



spacer plate for
top fixture
90 × 140 × 20 mm
N.B!
stack to a max. height of
200 mm

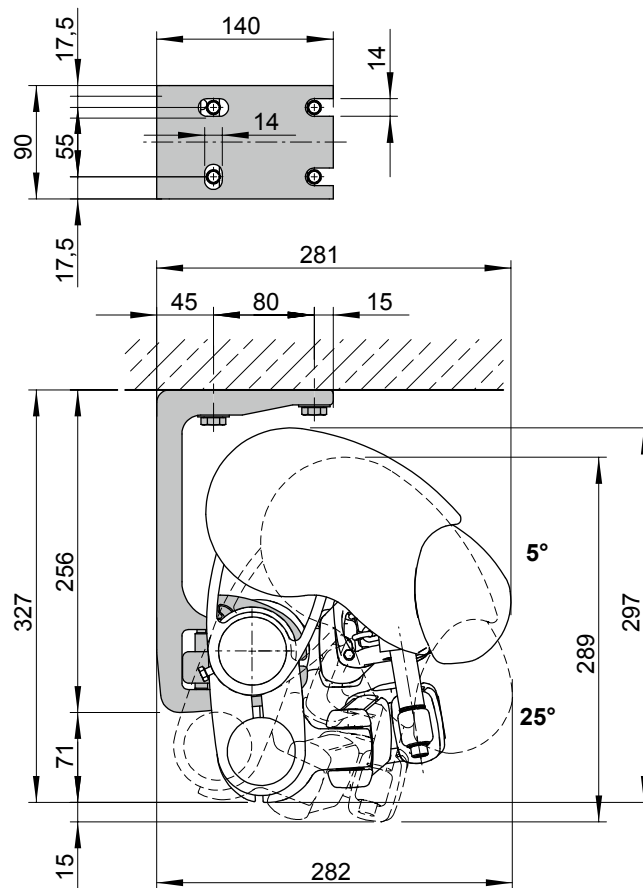
716311



spacer plate for
top fixture
90 × 140 × 12 mm

716411

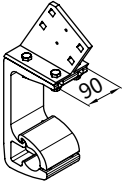
11



dimensions in mm

Eaves fixture

Fixtures, fittings and accessories

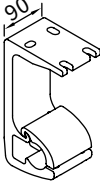


eaves fixture bracket
90 mm

complete set

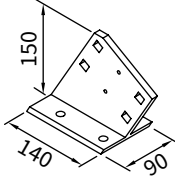
height of flat
plate: 150 mm

70871.



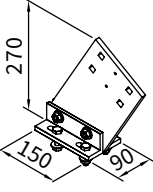
top fixture bracket
90 mm

70868.



eaves fixture bracket
flat plate
150 mm

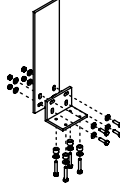
71612.



eaves fixture bracket
270 mm plate

please refer to "Eaves
fixture with spreader /
backing plate"

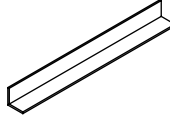
71659.



flat plate and angled
bracket for eaves fixture

machine finish

716620

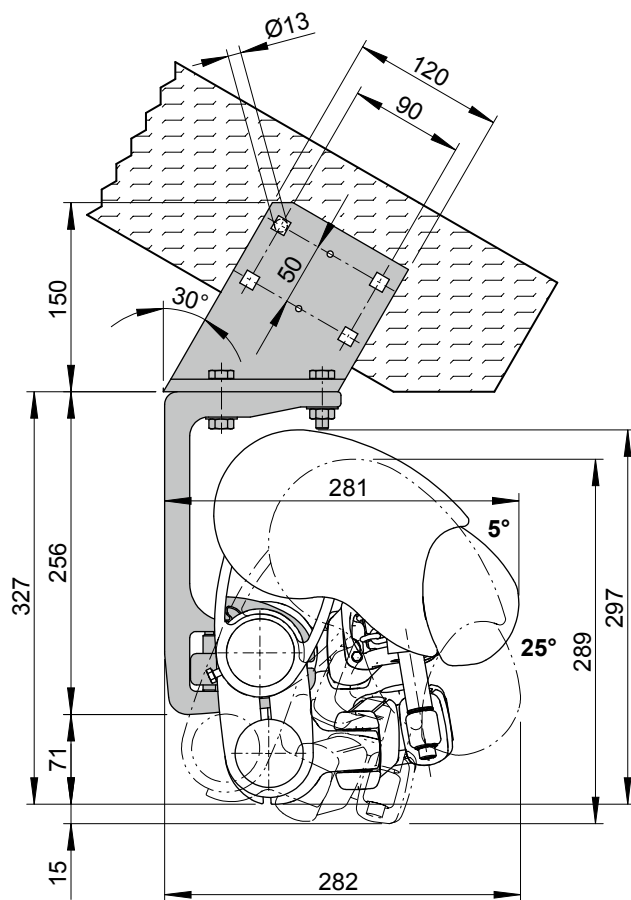


angled profile
eaves fixture bracket
100 mm x 100 mm

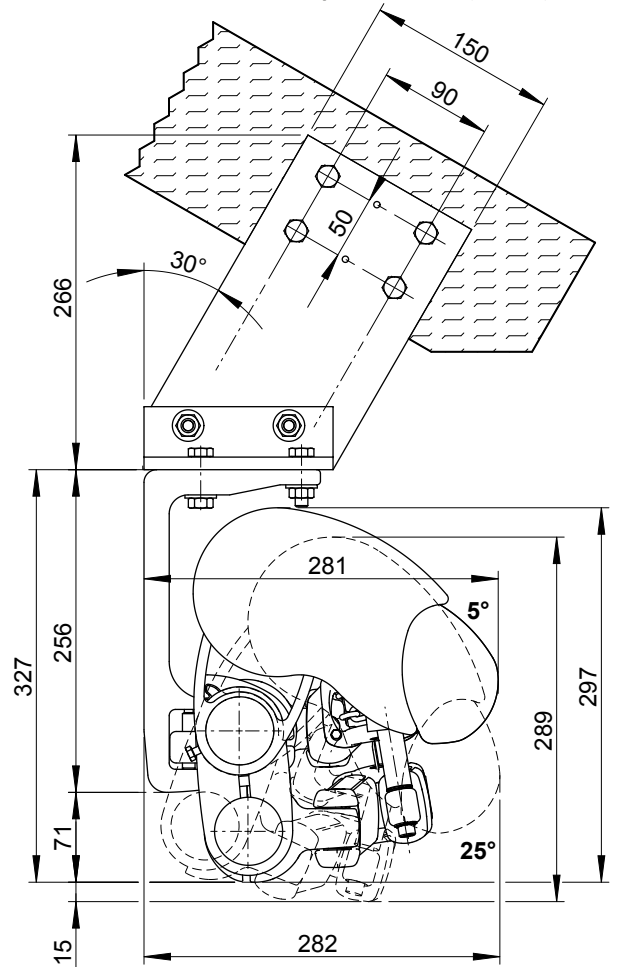
sold by the metre,
undrilled
793800 = machine finish

79380.

with eaves fixture bracket flat plate 150 mm (71612.)



with eaves fixture bracket flat plate 270 mm (71659.)

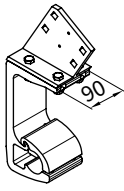


dimensions in mm

01
02
03
04
05
06
07
08
09
10
11
12
13
14
15
16
17

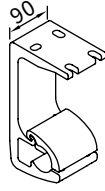
Eaves fixture with additional plate

Fixtures, fittings and accessories



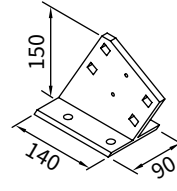
eaves fixture bracket
90 mm
complete set
height of flat plate: 150 mm

70871.



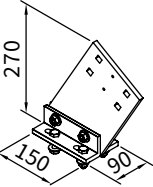
top fixture bracket
90 mm

70868.



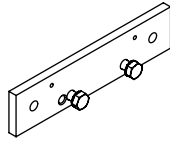
eaves fixture bracket flat plate
150 mm

71612.



eaves fixture bracket
270 mm plate
please refer to "Eaves fixture with spreader / backing plate"

71659.

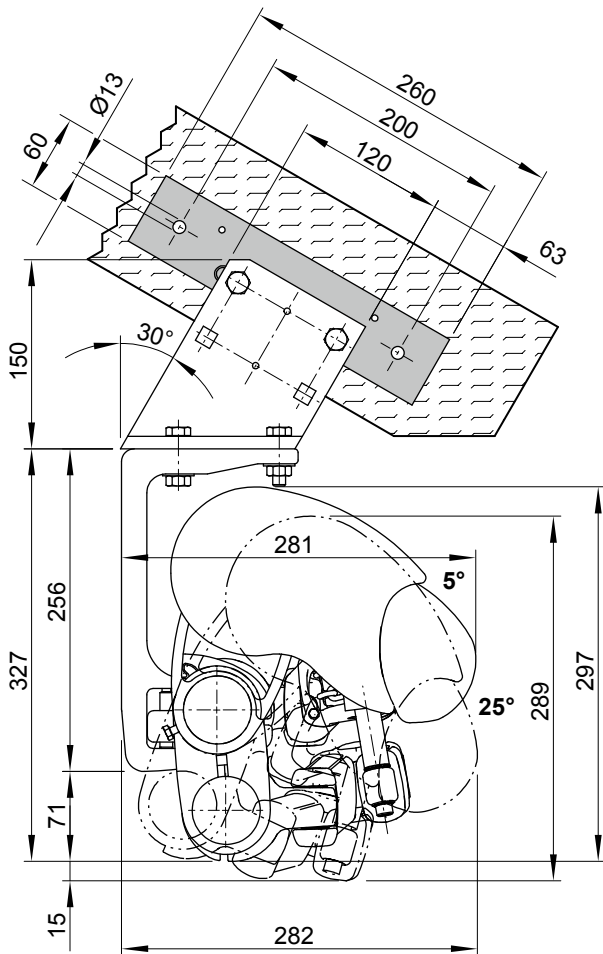


supplementary flat plate eaves fixture
260 × 60 × 12 mm
please refer to "Eaves fixture with spreader / backing plate"

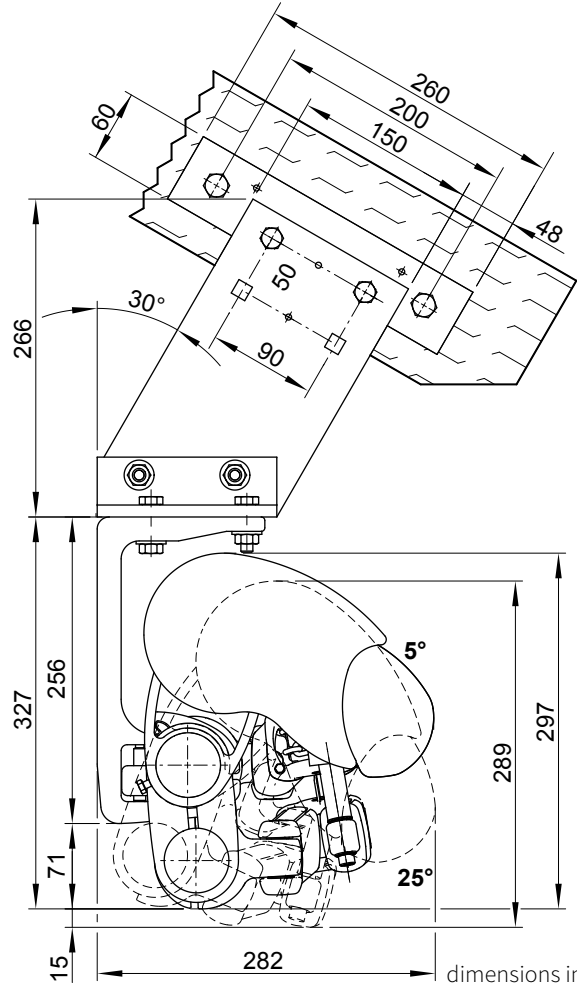
75383.

11

with eaves fixture bracket 150 mm (70871.)



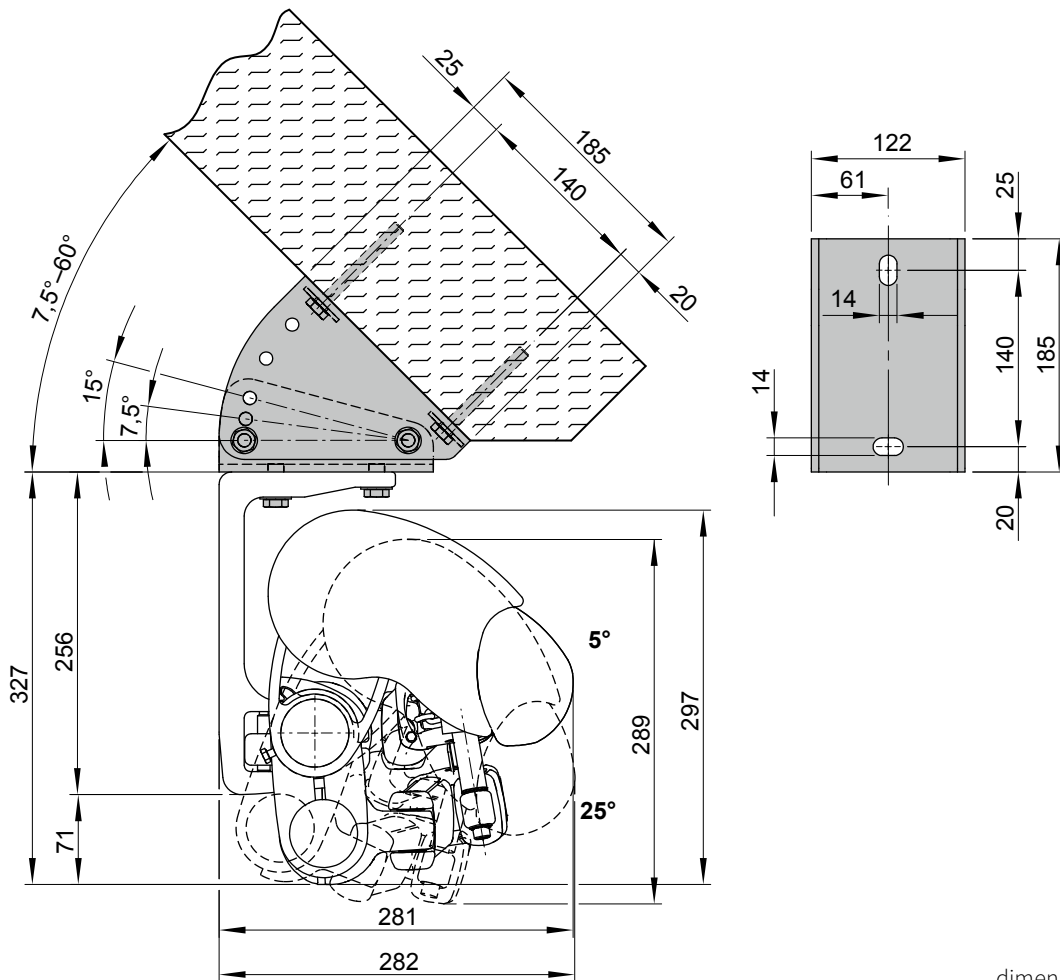
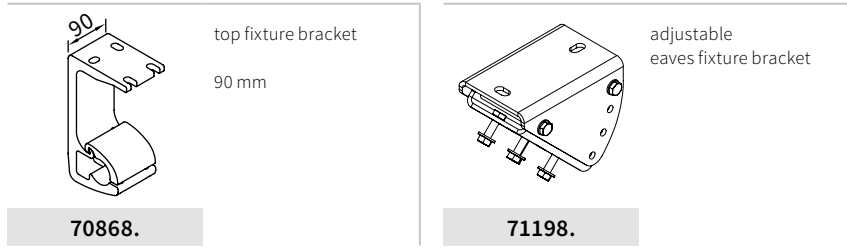
with eaves fixture bracket 270 mm (71659.)



dimensions in mm

Eaves fixture with adjustable bracket

Fixtures, fittings and accessories

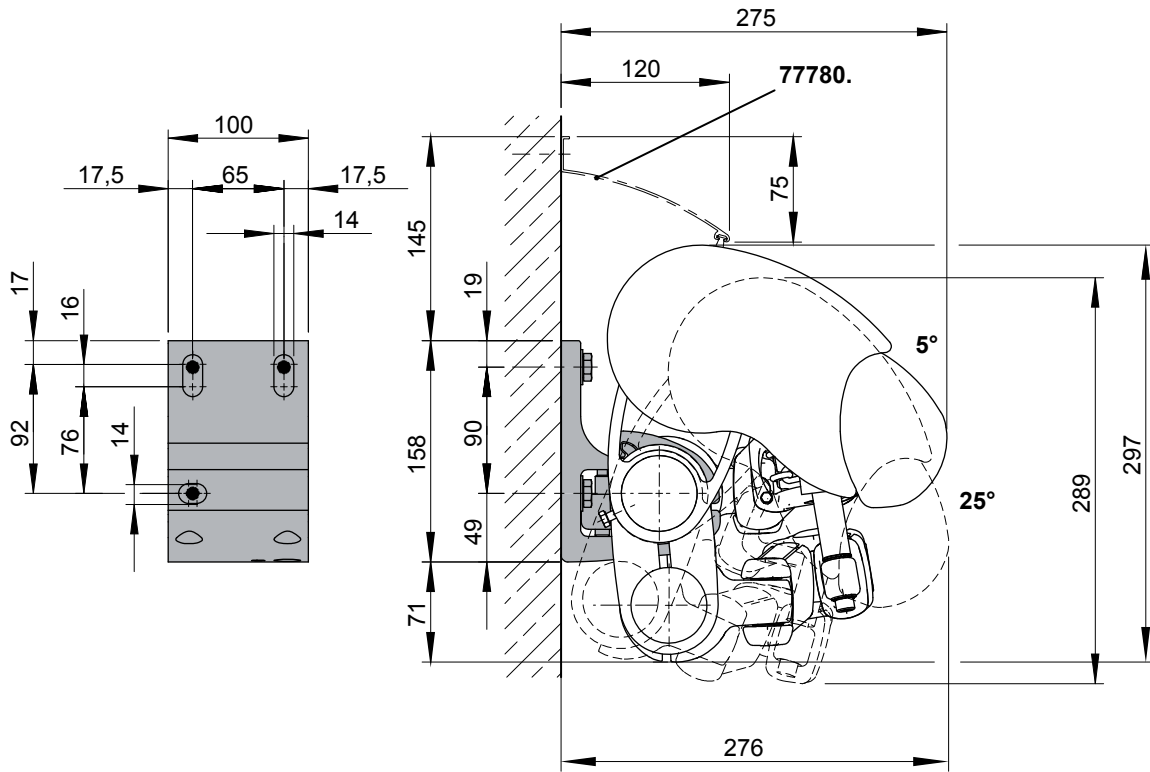


dimensions in mm

01
02
03
04
05
06
07
08
09
10
11
12
13
14
15
16
17

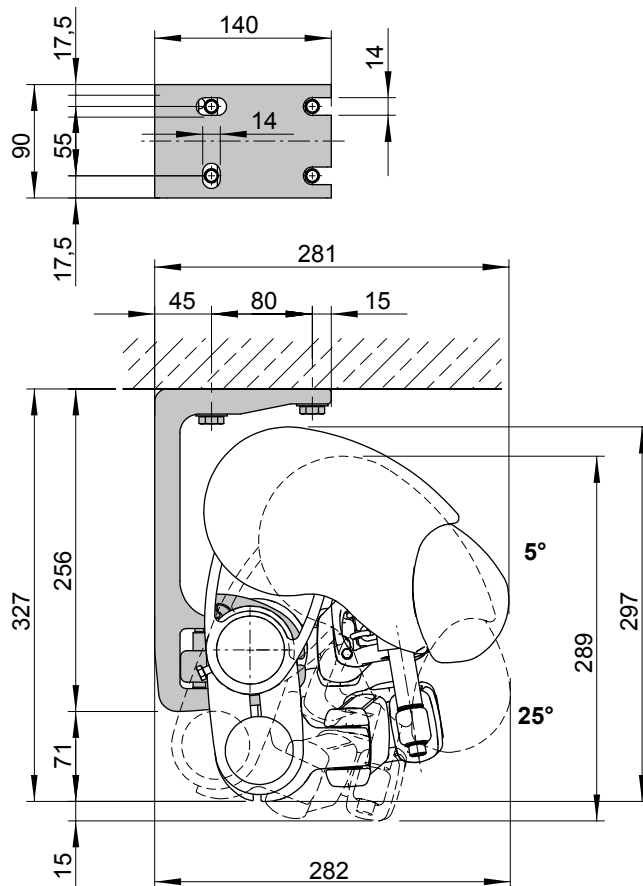
Awning with shadeplus

Face fixture



11

Top fixture



dimensions in mm

01

02

03

04

05

06

07

08

09

10

11

12

13

14

15

16

17