



Awning System

markilux pergola compact

The graceful awning system that can be used as sun and wet weather protection for the patio – highly modern design with an appealing, square cassette.



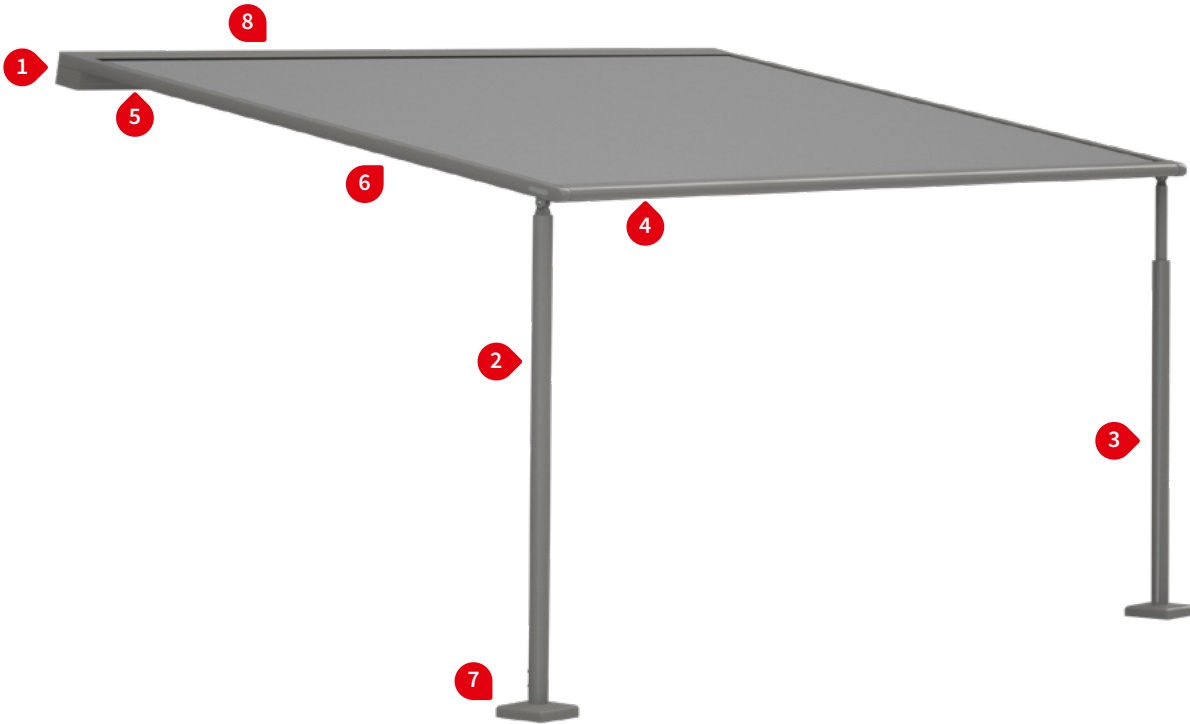
markilux.com

markilux
safe timeless beautiful

01
02
03
04
05

Product characteristics

Wind resistance class 3
Beaufort 6 → 10.5–13.4 m/s | 38–48 km/h | 24–30 mph



1 Face fixture



2 Available with square or round support posts



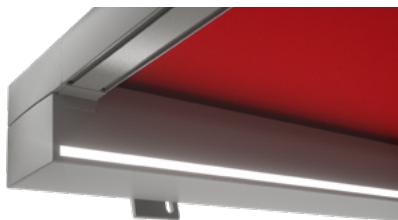
3 Telescopic support post ¹⁾ for improved rainwater drainage



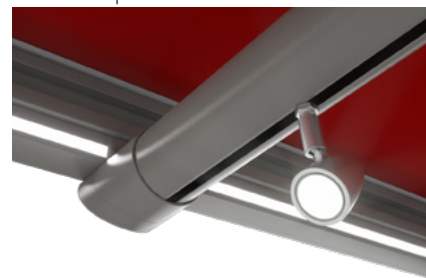
4 Shadepilus / drop valance ¹⁾, manual operation, during extension



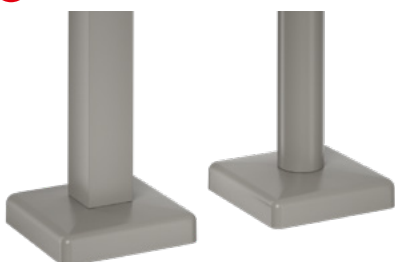
5 LED-Line recessed in the cassette ¹⁾



6 The combination of LED-Line ¹⁾ and LED-Spots ¹⁾



7 Standard footplate covers



7 Post with stabilisation box ¹⁾



8 Wall sealing profile ¹⁾



1) optional configuration

Product characteristics

Description

- the awning system on slender posts at the front and with lateral guide tracks provides generous shade with an extension of up to 4 metres and covers an area of up to 18 m² as a single unit. Thanks to the tracfix cover-guidance system, the sophisticated tensioning technology and its sturdy construction, the system can be used up to Beaufort 6 (wind resistance class 3).

Special features

- fully encompassing cassette that protects the cover perfectly
- the tried and tested tensioning system – with drive belts and integrated gas pistons – delivers optimum cover tension in any phase of extension
- as standard with tracfix, the continuous lateral cover guidance system that leaves no gap between the cover and guide tracks – gives improved wind stability and a cleaner appearance
- various lighting combinations available: LED-Line in the guide tracks, LED-Line in the cassette or LED-Spots attached to the cassette, LED-Line in the cover support tube or LED-Spots fitted to the cover support tube – individually configurable lighting options providing a pleasant atmosphere in the evening
- option of a shadeplus / drop valance with a height of 210 cm (vuscreen Alu only 150 cm) – protection against low-lying sun, wind and inquisitive glances integrated into the front profile, with manual operation
- a telescopic post (optional), manually operated ensures water drainage, even at the low minimum pitch of 8°
- support posts optionally round or square, including footplates or stabilisation boxes for flexible installation
- can be combined perfectly with the awning systems markilux construct, markilux syncra, vertical blinds markilux 776 tracfix, markilux 876 tracfix, side screen markilux 790

Dimensions

- fixture width 72 cm–450 cm, extension max. 400 cm
- maximum overall sizes, width × extension: 455.4 cm × 400 cm
- intermediate sizes are available

Roller tube and lateral bearings

- round roller tube Ø 85 mm with keyway, galvanised steel – providing excellent stability, ensures near perfect cover performance even at the largest widths
- the roller tube bearing is made of stainless steel

Awning profiles

- extruded aluminium, in façade quality, powder coated
- cassette profile in two pieces, round, height × depth 125 mm × 125 mm
- guide tracks angular, rounded edges, width × height 52 mm × 52 mm
- front profile rounded at the front, height × depth 52 mm × 110 mm, in the case of a shadeplus / drop valance height × depth 66 mm × 139 mm

Side caps

- the cassette end caps are made of die-cast aluminium, in two parts, powder coated
- the guide track end caps are made of high-quality plastic, powder coated

Fixture brackets and support posts

- extruded aluminium, powder coated
- cassette brackets: face fixture, top fixture, eaves fixture
- support post square 70 mm × 70 mm or round Ø 70 mm, standard height 250 cm, other sizes up to a max. height of 300 cm are available, min. height of fixed post 36 cm, of telescopic post with footplate min. 157 cm and with stabilisation box min. 198 cm
- screw-on footplate 200 × 200 mm
- the footplate cover 212 × 212 mm in one piece, height 48 mm, is made of die-cast aluminium, powder coated
- an optional version of the support posts with stabilisation boxes 600 × 600 mm, height 525 mm, for a flexible installation is available

N.B! For additional information and configuration options, please view the chapter “General Information” and “markilux Optional Accessories” in the volume “Vertical Blinds | Glass roof Awnings”.

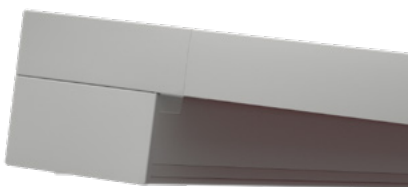
01 **Frame colours**

02 markilux awning colours without surcharge

03 traffic white, RAL 9016

metallic aluminium, RAL 9006

grey brown, similar to RAL 8019

off-white textured finish, 5233 ¹⁾stone grey metallic, 5215 ¹⁾anthracite metallic, 5204 ¹⁾Havana brown textured finish, 5229 ¹⁾**Non-standard powder-coated finish**

Bespoke frame colours incur a surcharge – matt, metallic, finely textured and pearl finishes as well as other colour ranges (DB, Tiger etc.) on request. All frame colours are available at a surcharge with enhanced corrosion protection.

Colours may differ slightly from those depicted in both hue and finish.

1) textured finish

Dimensions and configuration options

Single unit

		Awning fixture width						Minimum fixture width	
		200 ¹⁾	250	300	350	400	450	Motor	Radio-controlled motor
Order dimensions		72	201	251	301	351	401		
		200	250	300	350	400	450		
Awning width		+ 5.4							
H	150							107 ²⁾	107 ²⁾
	200								
	250								
	300								
	350								
	400								

dimensions in cm

- 1) = shadeplus / drop valance not available
- 2) = from an extension of 281 cm
- H = order dimension = extension

The minimum pitch that will ensure water drainage	extension ≤ 250 cm	extension ≥ 251 ≤ 350 cm	extension ≥ 351 cm
system with fixed posts, without shadeplus / drop valance	15°	15°	15°
system with fixed posts, with shadeplus / drop valance	18°	18°	18°
system with telescopic post, with / without shadeplus / drop valance	8°	9°	10°

Operation	standard	optional
manual operation	—	—
hard-wired motor	✓	—
silentec motor (optionally with an external io / RTS receiver)	—	—
Radio-controlled motor io, 868 MHz	—	✓
Radio-controlled motor RTS, 433 MHz	—	✓
Radio-controlled motor RTS, 433 MHz with manual override	—	—

Optional accessories
with telescopic post, manual operation
posts with stabilisation boxes
manual drop valance
infrared heater 2500 W
infrared heater 2500 W with integrated radio-controlled receiver 868 MHz io
wall sealing profile
LED-Line recessed in the cassette ¹⁾
LED-Spots in the cassette ¹⁾
LED-Line at the guide rails
LED-Line in the cover support tube ²⁾
LED spotlights suspended from the cover support tube ²⁾
vertical cassette blind – markilux 776 tracfix / 876 tracfix
automatic controls (light, wind, rain)

Coupled Awning
not available

Shadeplus / drop valance	standard	optional
height depends on the fabric series, see table “shadeplus / drop valance cover”		
minimum awning fixture width 201 cm, maximum 450 cm		
manual operation	✓	—
hard-wired motor	—	—
radio-controlled motor io, 868 MHz	—	—
radio-controlled motor RTS, 433 MHz	—	—

N.B! Important background information can be found in the chapter “Optional Accessories”.

- 1) options cannot be combined.
- 2) options cannot be combined.

01 Dimensions and configuration options

02 Awning cover	fabric range no.	standard	optional	awning fixture width	extension	cover manuf.
03 sunvas	301.. / 309..-315..	✓	—	≤ 450	≤ 400	LN
sunsilk	324.. / 325.. / 328.. / 369..	✓	—	≤ 450	≤ 400	LN
perfortex	331.. / 332..	✓	—	≤ 450	≤ 400	LN
04 sunvas (250 cm)	31008, -09, -13, -16, -18, -25, 27, -28, -31, -36, -37, -57, -58, 31109, -14, -17	✓	—	≤ 250		N
				≤ 450	≤ 243	N
				≤ 450	≥ 244	QN
05 transolair (250 cm)	338..	—	✓	≤ 450	≤ 243	N
				≤ 450	≥ 244 ≤ 400	QN
transolair (120 cm)	339..	✓	—	≥ 401 ≤ 450	≤ 400	LN
				≤ 450	≤ 400	LN
sunvas (320 cm)	31008, -09	✓	—	≤ 320		N
				≤ 450	≤ 313	N
				≤ 450	≥ 314	QN
vuscreen Alu	317..	—	✓	≤ 450	≥ 244 ≤ 400	QN
				> 450	≤ 250	N
				≤ 185	≤ 300	N
Soltis Perform 92	92-20..	—	✓	≤ 450	≤ 194	N
				≥ 186 ≤ 450	≥ 195 ≤ 300	QN
perla	370..	—	✓	≤ 450	≤ 400	LN
perla FR	374.. / 375..	—	—			

Shadeplus / drop valance with magnetic, articulated crank handle

Shadeplus / drop valance cover ¹⁾	fabric range no.	standard	optional	awning fixture width	height	cover manuf.
sunvas	309.. / 310.. / 311.. /	✓	—	≤ 450	210	QN
sunsilk	324.. / 325.. /	✓	—	≤ 450	210	QN
transolair	338..	—	✓	≤ 450	210	N
				≤ 450	210	QN
vuscreen Alu	317..	—	✓	≤ 450	150	N
Soltis Perform 92	92-20..	—	✓	≤ 450	210	QN
glass fibre screen	272..	—	—			
perfortex	331.. / 332..	—	—			
perla	370..	—	—			
perla FR	374.. / 375..	—	—			

N.B! Covers made from fabrics 120 cm wide will have a horizontal joint! Textured and flecked fabrics will take on a slightly different appearance from that of the awning cover as a result.

1) = the width of the shadeplus / drop valance cover is narrower than that of the awning

N = seamless

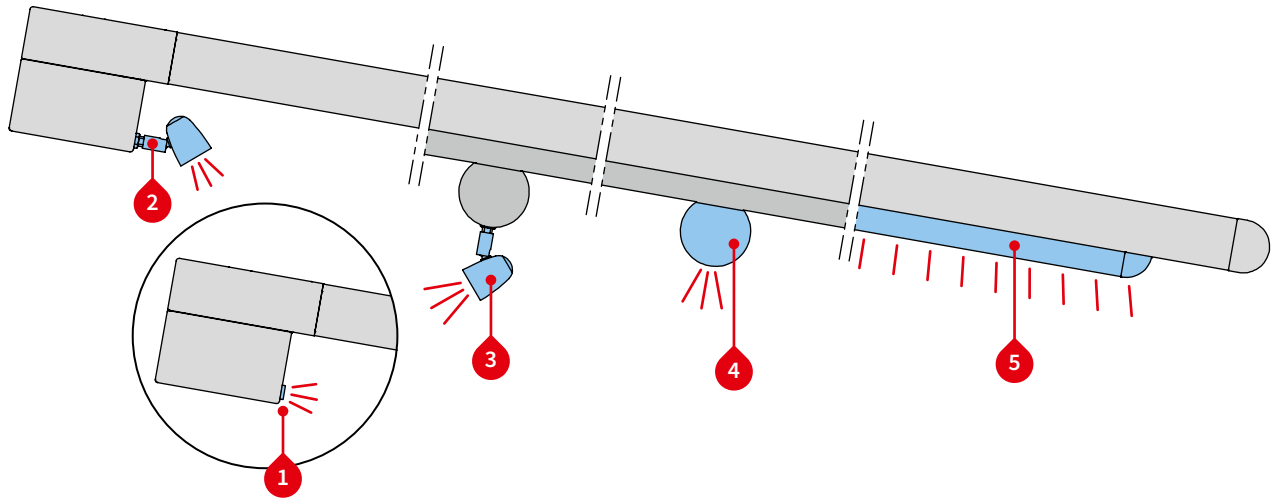
LN = vertical seam(s), panel width usually 120 cm

QN = horizontal seam(s)

dimensions in cm

Lighting options

01
02
03
04
05



Lighting options

- 1) LED-Line recessed in the cassette ¹⁾
- 2) LED-Spots attached to the cassette ¹⁾
- 3) LED-Spots suspended from the cover support tube ²⁾
- 4) LED-Line in the cover support tube ²⁾
- 5) LED-Line under the guide rails

Controls

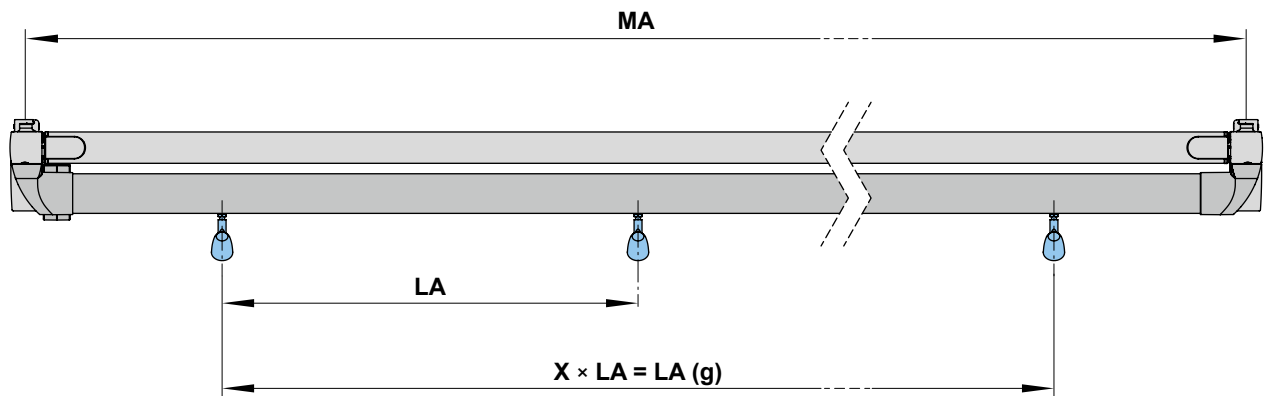
	Standard	Optional
on/off switch	—	✓
radio-controlled dimmer io, 868 MHz	✓	—
radio-controlled dimmer RTS, 433 MHz	—	✓

For combination possibilities please view section “Dimension overview lighting options”

- 1) options cannot be combined.
- 2) options cannot be combined.

Distribution of the LED spotlights

2) and 3) attached to the cassette and to the cover support tube



awning fixture width	no. of spotlights	LA	LA (g)
150–250	3	65	130
251–300	3	98	196
301–350	3	98	196
351–400	4	98	294
401–450	4	98	294

LA (g) = distance between the spotlights (total)

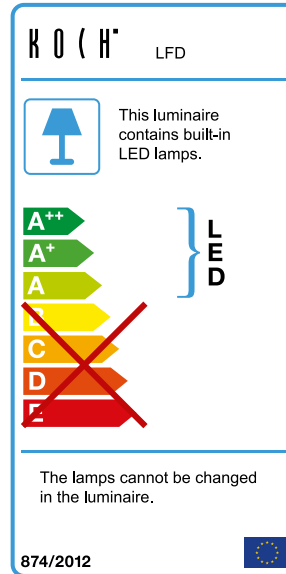
MA = order dimension = awning fixture width = fixture width

dimensions in cm

01 **1** and **4** and **5** LED-Line recessed in the cassette and fitted to the guide tracks

Technical specification

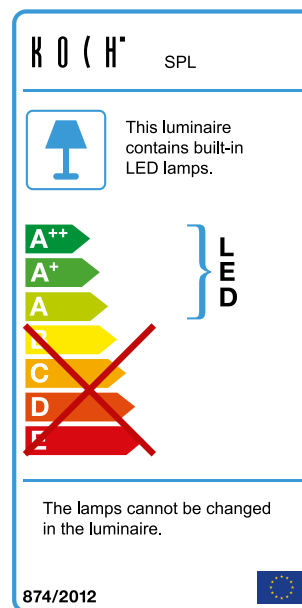
operating voltage	230 V, 50 Hz
power output per metre	10 W
light source	LED (12 V)
number of LEDs	120 LEDs / m
number of transformers	1 unit
light temperature	2700 K
IP protection class	IP 44
service life	approx. 15,000 h



02 **03** **2** and **3** LED-Spots attached to the cassette and to the cover support tube

Technical specification

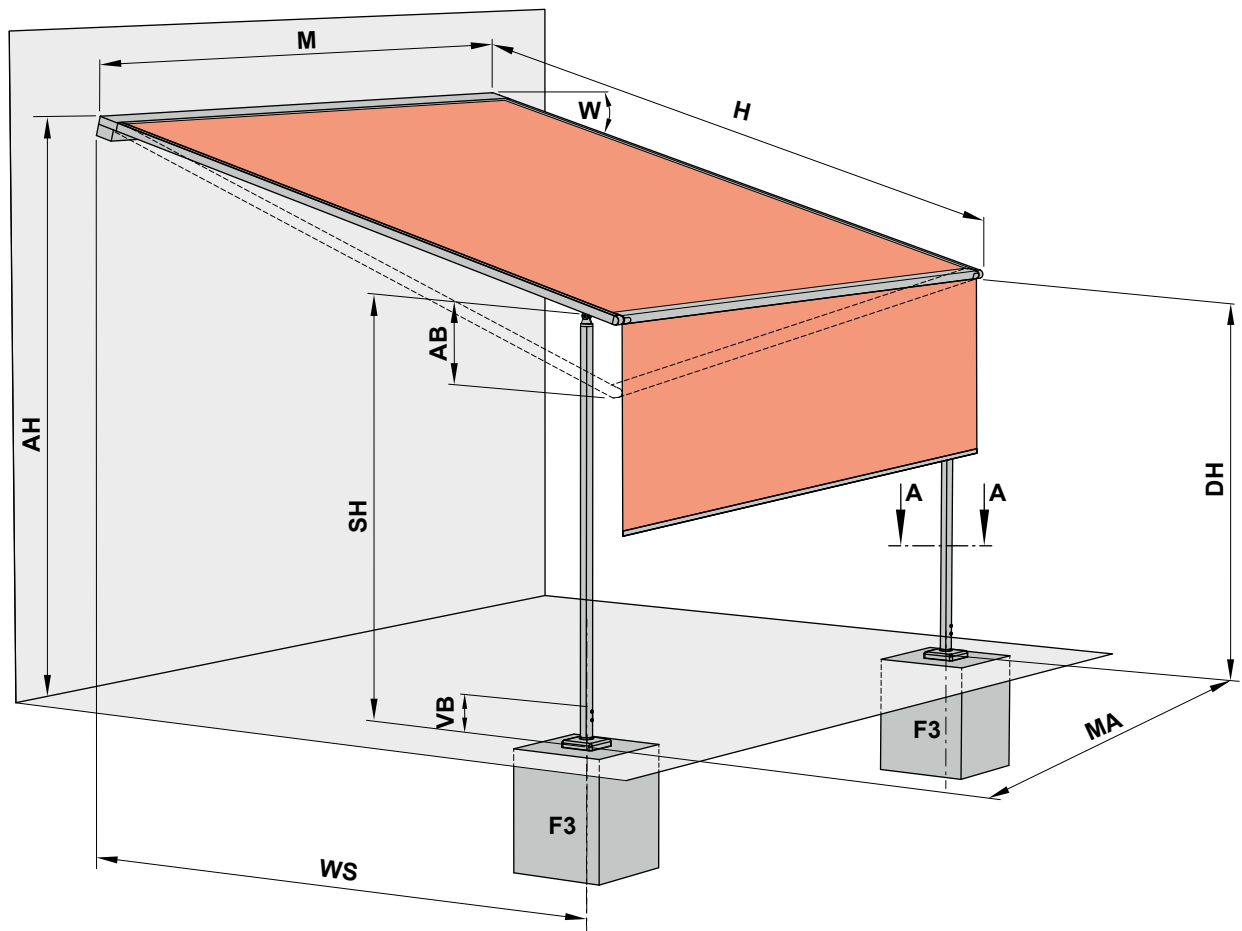
operating voltage	230 V, 50 Hz
power output of an LED spotlight	5 W
light source	LED (12 V)
number of transformers	1 unit
light temperature	2700 K
IP protection class	IP 44
service life	approx. 20,000 h



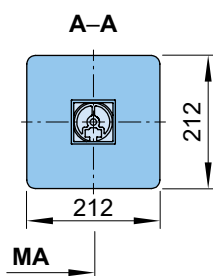
Overview of dimensions

Support post fixture to a concrete footing

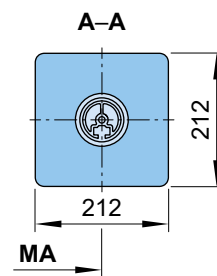
01
02
03
04
05



Square posts



Round posts



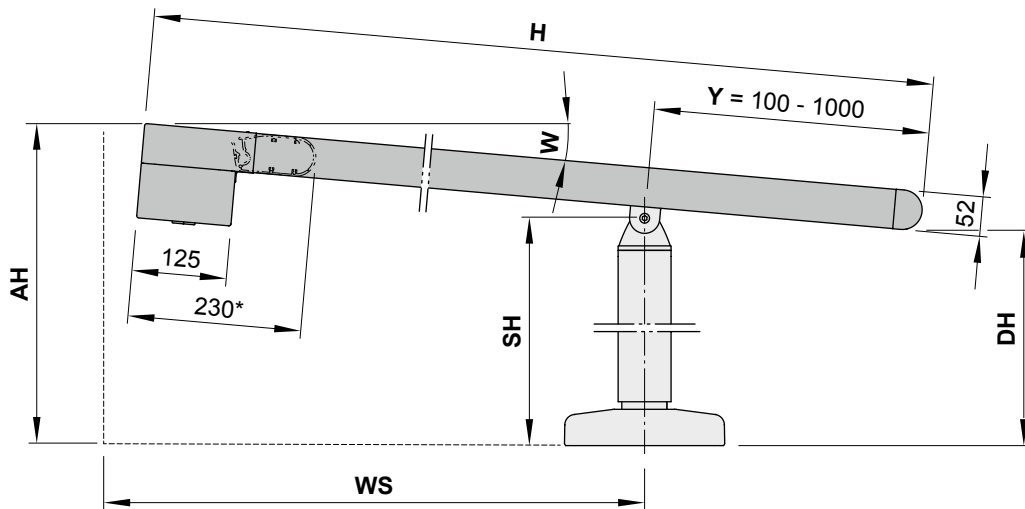
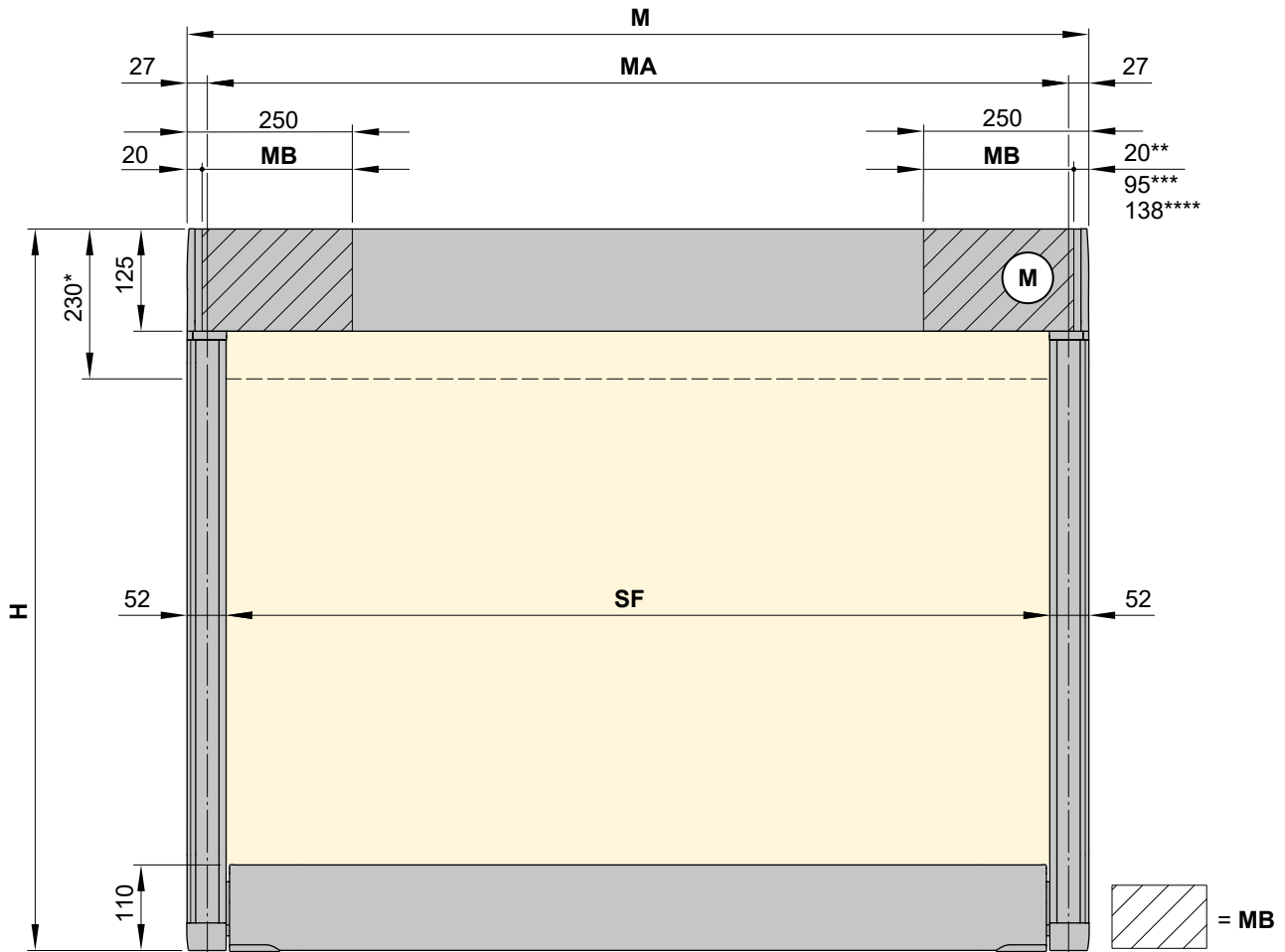
- AB** = adjustment range of a post 200 or 300 mm. optionally on the left / right, see “Dimensions and configuration options”
- AH** = fixture height
- DH** = headroom
- F3** = concrete foundation – please view section “Concrete foundations”
- H** = *order dimension* = extension
- M** = overall awning width = MA + 54 mm

- MA** = *order dimension* = awning fixture width
- SH** = *order dimension* = post height post height, standard height 2500 mm (bespoke heights on request, see “Post dimensions”)
- VB** = height adjustment at the base of both the front support posts during installation approximately 100 mm
- W** = pitch setting = 5°–35°
- WS** = distance from wall ↔ support post

dimensions in mm

01
02
03
04
05

Overview of dimensions



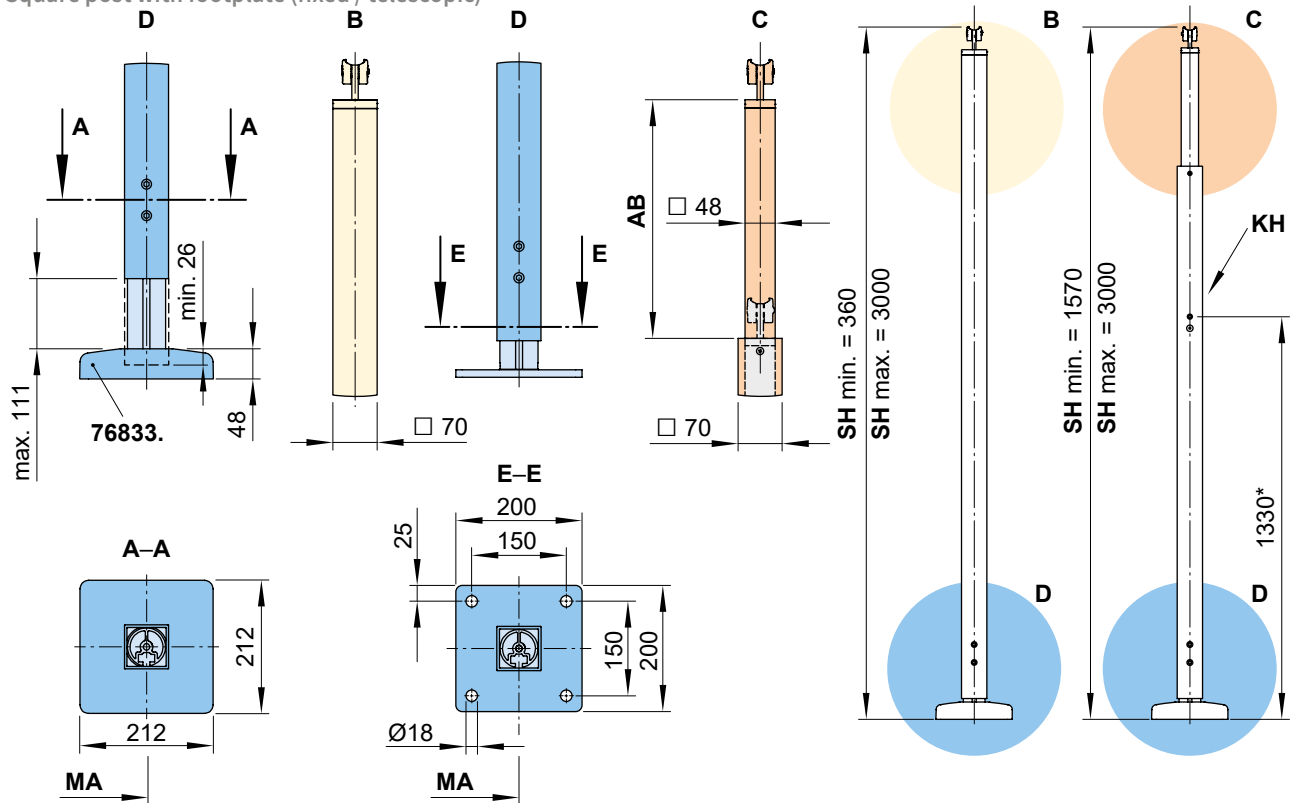
- * = extension when awning is retracted
- ** = dimension for cable exit at the bottom on motor side (standard)
- *** = dimension in the case of lighting
- **** = dimension in the case of lighting and shadeplus / drop valance
- AH = fixture height
- DH = headroom
- H = *order dimension* = extension
- M = overall awning width = MA + 54 mm
- (M) = drive side motor, on the right by way of example

- MA = *order dimension* = awning fixture width
- MB = bracket fixture range
- SH = order dimension = post height post height, standard height 2500 mm (bespoke heights on request, see "Post dimensions")
- SF = visible cover width
- W = pitch setting = 5°-35°
- WS = distance from wall ↔ support post
- Y = distance from post centre to leading edge of front profile

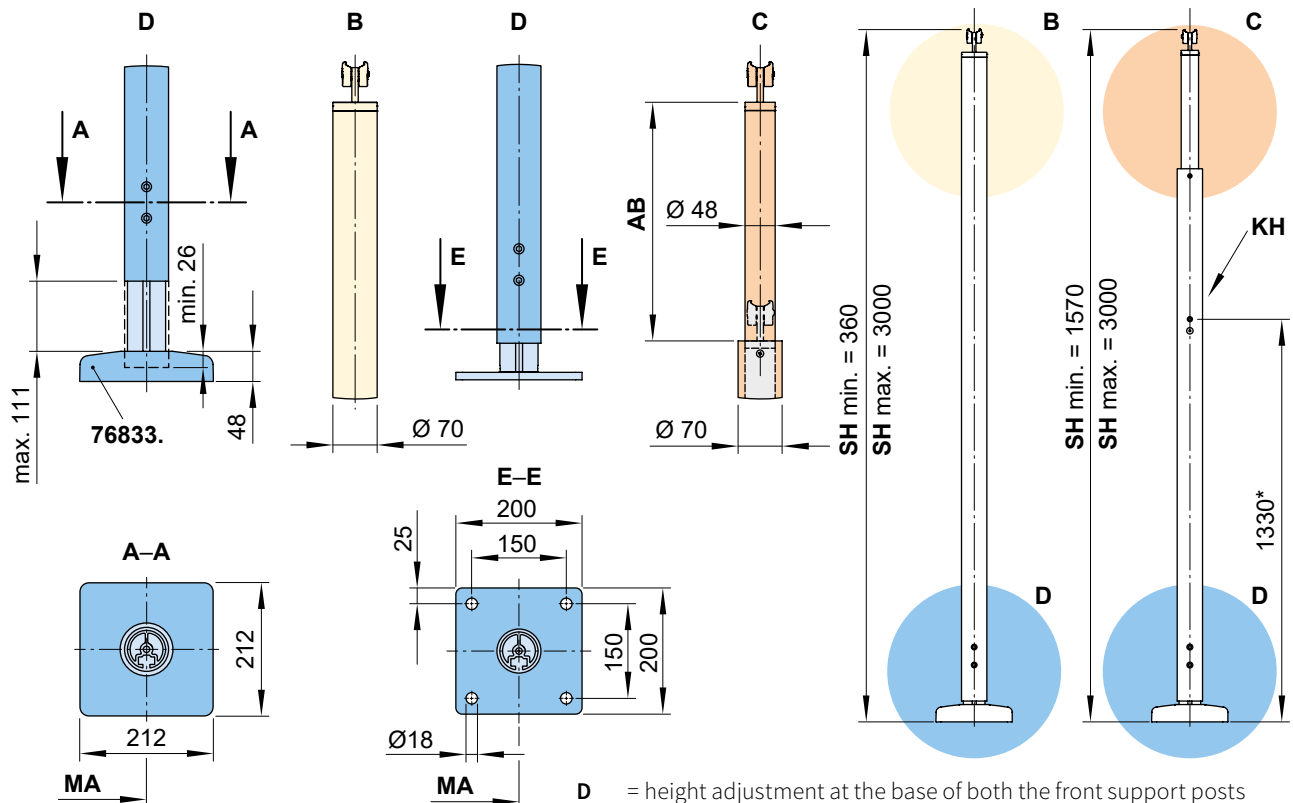
dimensions in mm

Post dimensions

Square post with footplate (fixed / telescopic)



Round post with footplate (fixed / telescopic)



* = dimensions at the standard height

AB = telescopic range of a post 200 mm or 300 mm see "Dimensions and configuration options"

B = support post without manual adjustment option

C = support post with manual adjustment option

D = height adjustment at the base of both the front support posts during installation approximately 100 mm

MA = order dimension = awning fixture width

KH = winch handle socket

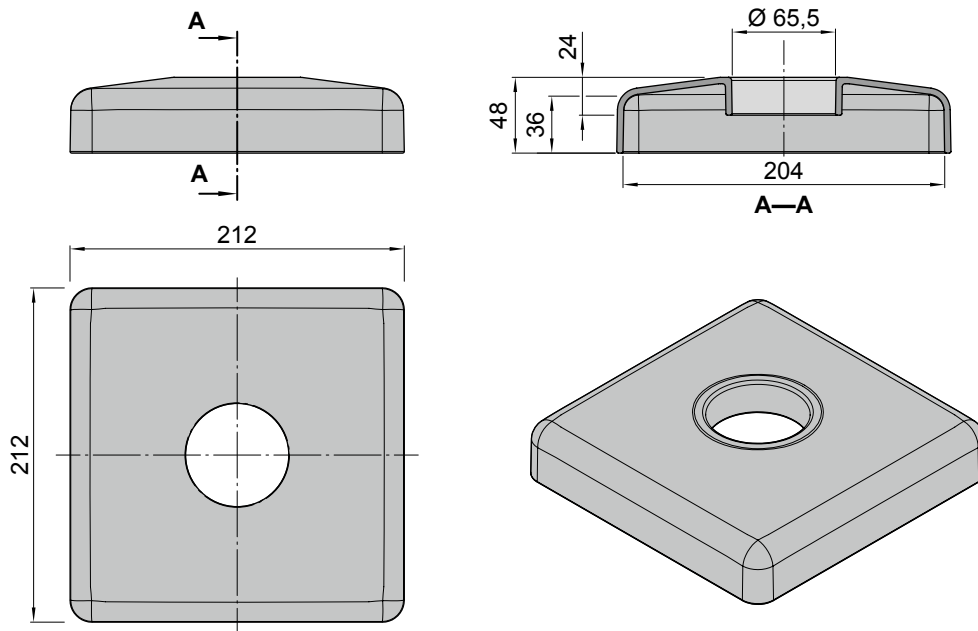
SH = order dimension = post height, standard height 2500 mm (bespoke heights on request)

dimensions in mm

01
02
03
04
05

Footplate cover

76833.

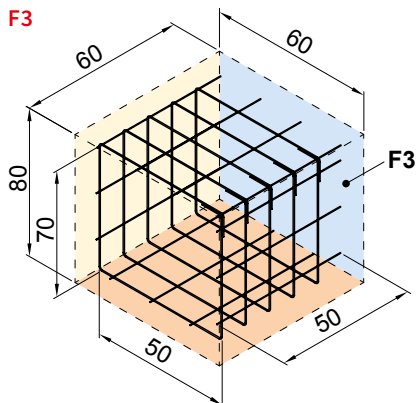


dimensions in mm

Concrete foundations

To be supplied on site:

Concrete foundations with a compressive strength complying with C25/30 (previously B25) with reinforcement cage made of 6 pieces of rebar matting \varnothing 6 mm.



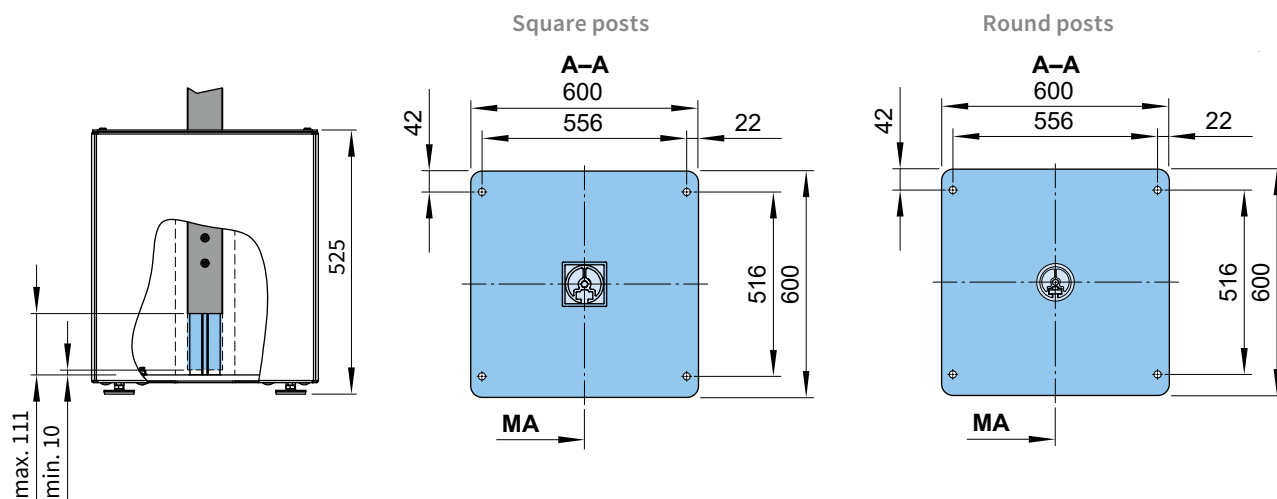
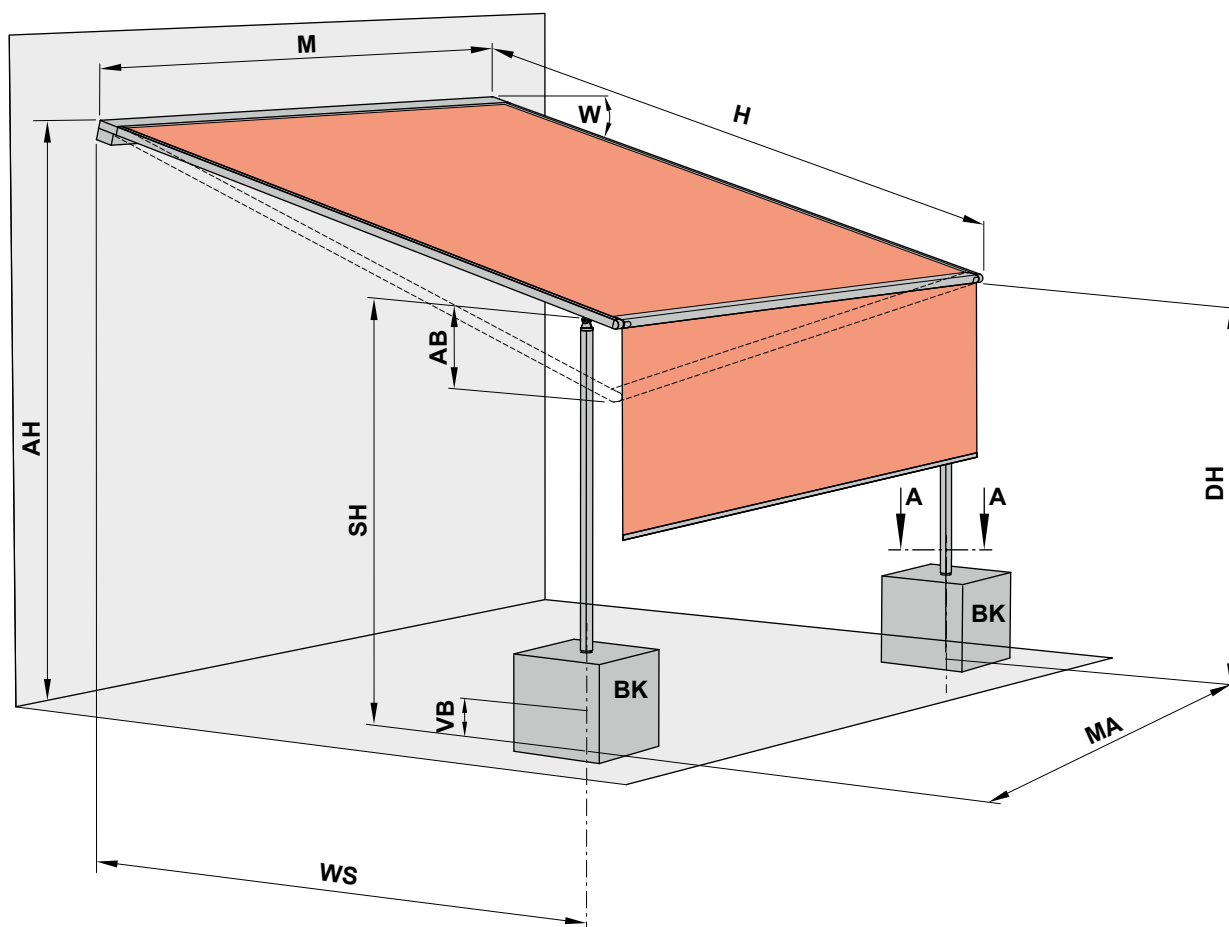
The footplates (F3) are to be fitted to the concrete footings using Fischer marine-grade stainless steel anchor bolts (FAZ 10/30 and washers certified to DIN 9021 (or equivalent)).

dimensions in cm

Overview of dimensions

Posts with stabilisation boxes

01
02
03
04
05



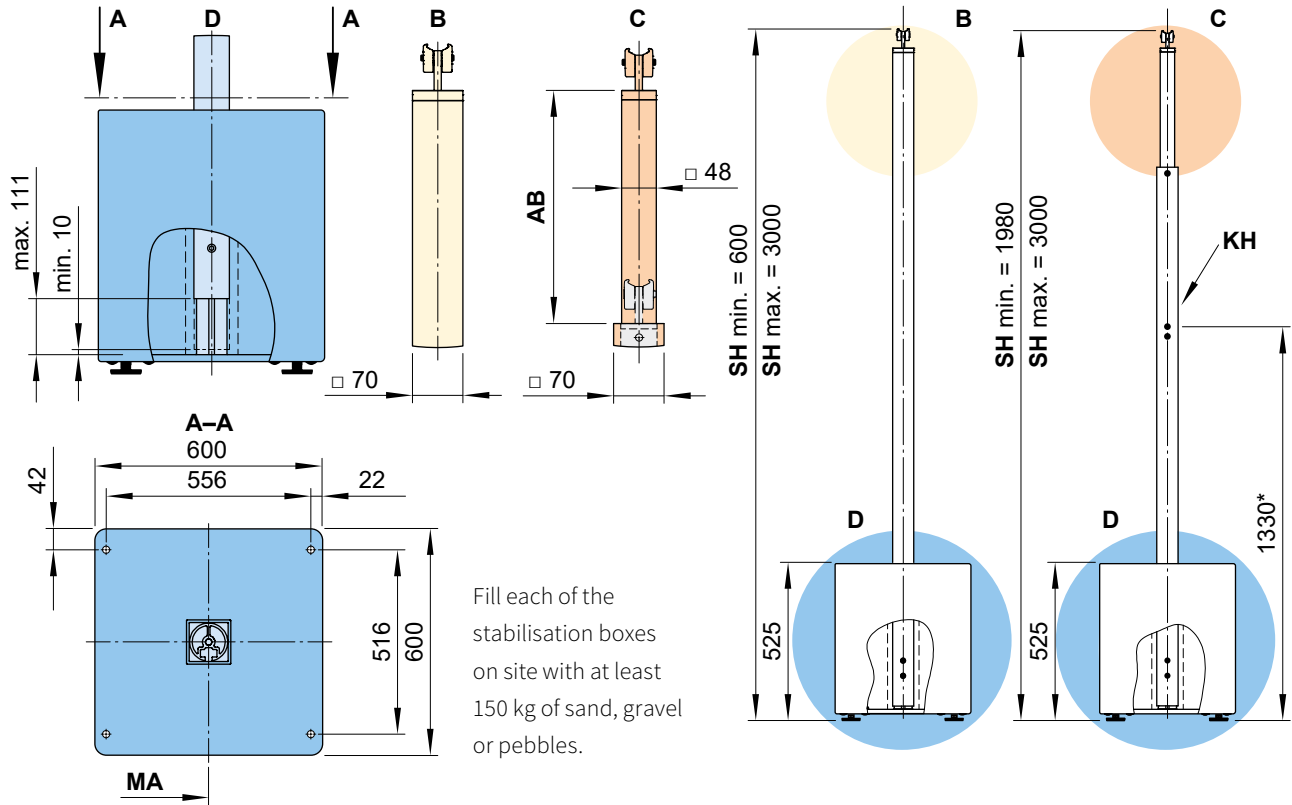
Fill each of the stabilisation boxes on site with at least 150 kg of sand, gravel or pebbles.

- AB** = adjustment range of a post 200 or 300 mm.
optionally on the left / right, see “Dimensions and configuration options”
 - AH** = fixture height
 - BK** = stabilisation box
 - DH** = headroom
 - H** = *order dimension* = extension
 - M** = overall awning width = MA + 54 mm
 - MA** = order dimension = awning fixture width = fixture width
 - SH** = *order dimension* = support post height
(bespoke heights on request, see “Post dimensions”)
 - VB** = height adjustment at the base of both the front support posts during installation approximately 100 mm
 - W** = pitch setting = 5°–35°
 - WS** = distance from wall ↔ support post centre
- dimensions in mm

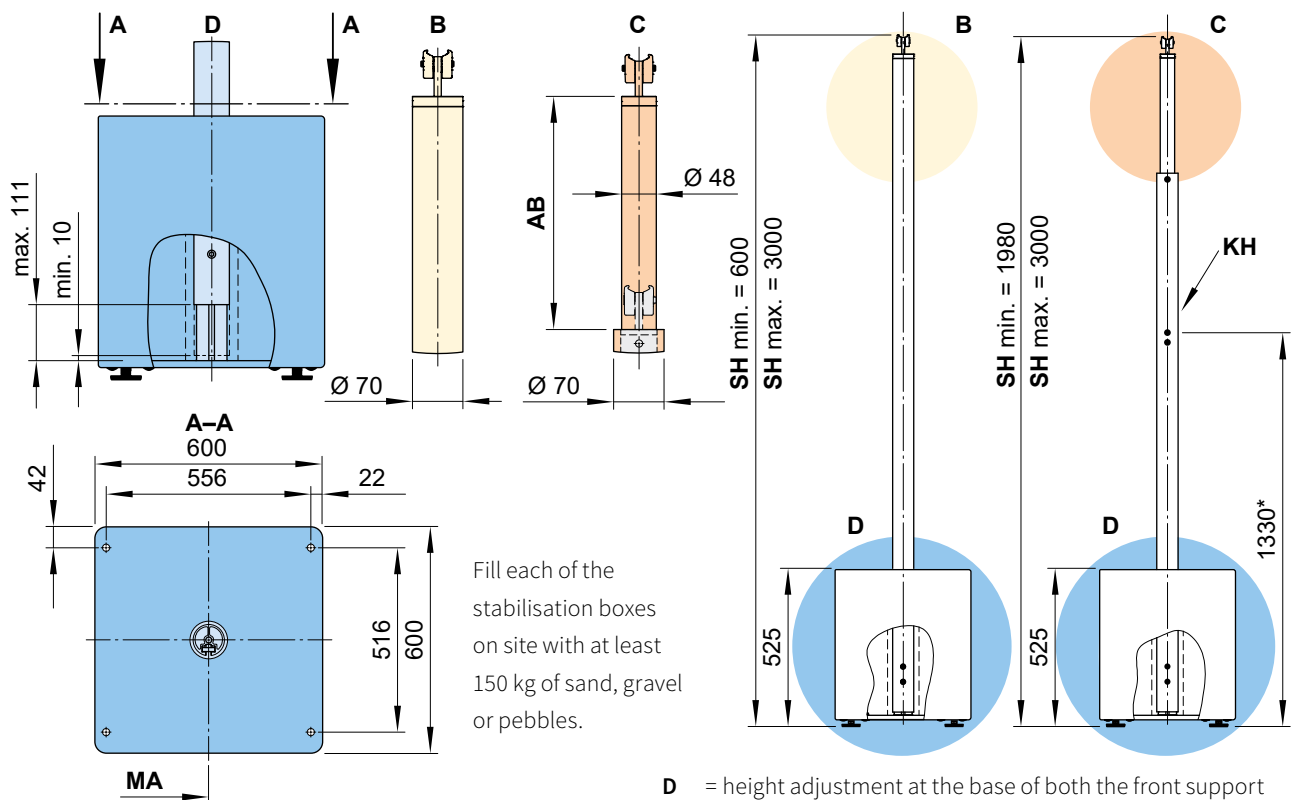
01
02
03
04
05

Post dimensions

Square support post with footplate (fixed / telescopic)



Round support post with stabilisation box (fixed / telescopic)



* = dimensions at the standard height

AB = telescopic range of a post 200 mm or 300 mm see "Dimensions and configuration options"

B = support post without manual adjustment option

C = support post with manual adjustment option

D = height adjustment at the base of both the front support posts during installation approximately 100 mm

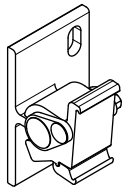
MA = order dimension = awning fixture width = fixture width

KH = winch handle socket

SH = *order dimension* = post height, standard height 2500 mm (bespoke heights on request) dimensions in mm

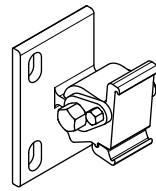
Fixtures, fittings and accessories

01
02
03
04
05



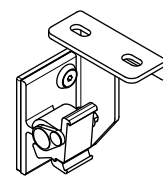
face fixture bracket cassette
left
pitch adjustment range from 5°-35°

71153.



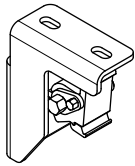
face fixture bracket cassette
right
pitch adjustment range from 5°-35°

71154.



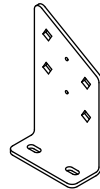
top fixture bracket cassette
left
pitch adjustment range 5°-35°

71157.



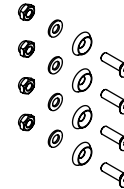
top fixture bracket cassette
right
pitch adjustment range 5°-35°

71158.



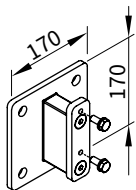
eaves fixture bracket

77010.



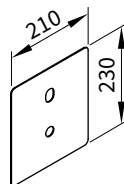
accessories
for two eaves fixture brackets 77010.

767281



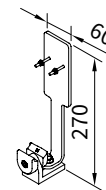
stand-off brackets for face fixture brackets 71153., 71154. and 71844.
length min. 80 mm up to max. 300 mm

77956.



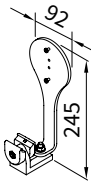
cover plate for installation with stand-off bracket 77956. in the case of external insulation
210 x 230 mm

71844.



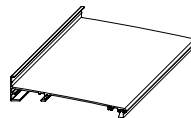
bracket sun-/ wind or rain sensor

76050.



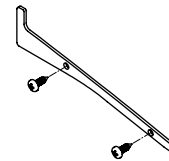
bracket bracket for sun and/or wind sensor io

76723.



wall sealing profile incl. brush seal
by the metre

76385. and 704241



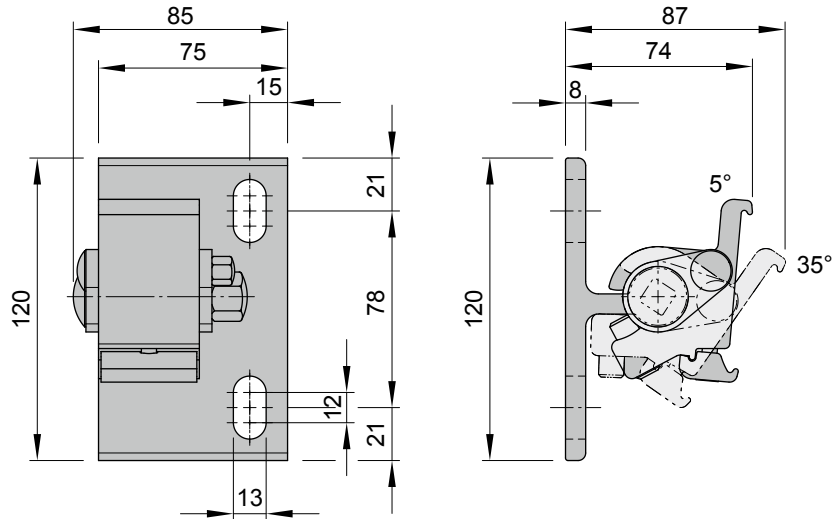
1 side plate including 2 pan-head self-tapping screws for wall sealing profile

76386. and 2 x 735611

01
02
03
04
05

Face fixture

Face fixture cassette bracket, left

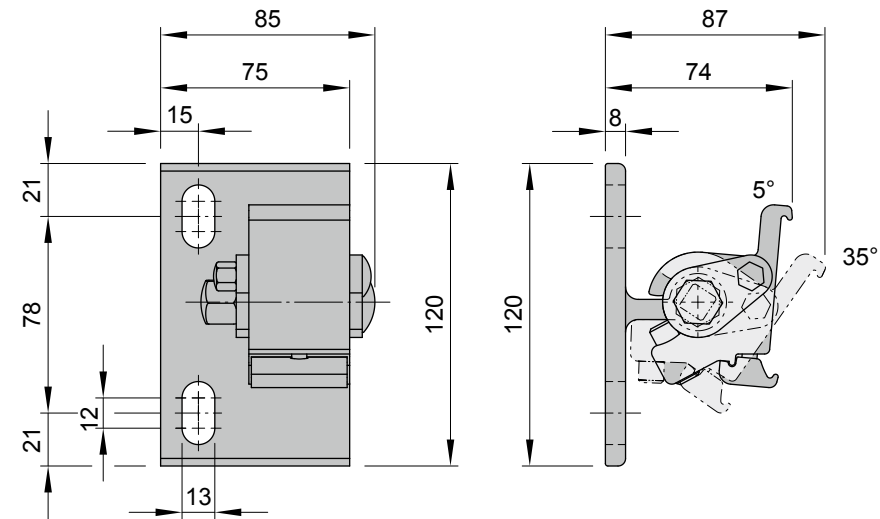


face fixture bracket cassette
left
5°-35°
pitch adjustment range

71153.

dimensions in mm

Face fixture cassette bracket, right

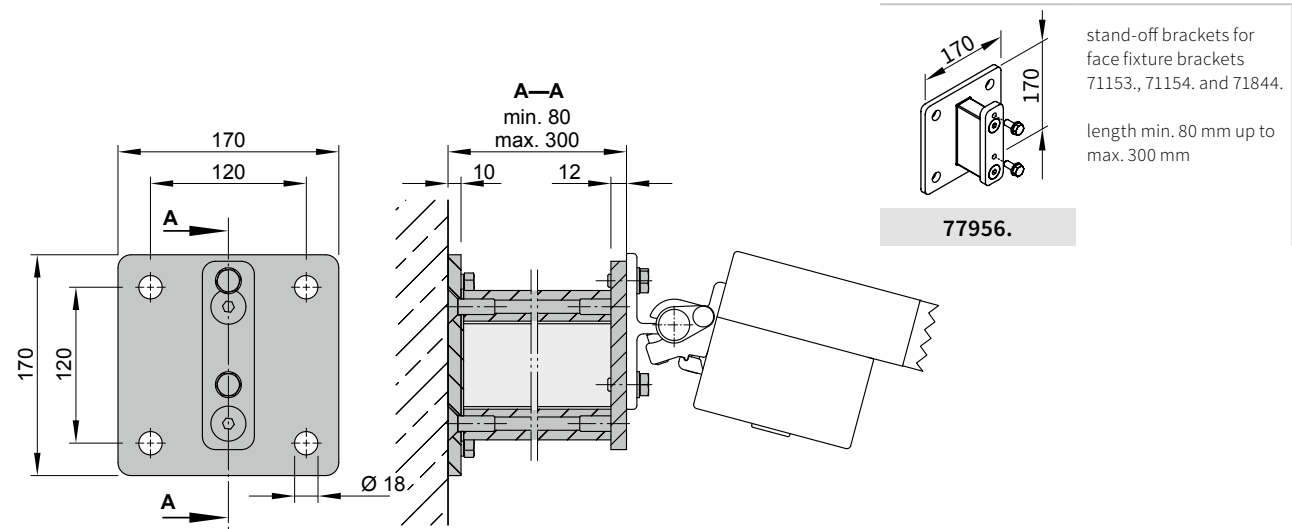


face fixture bracket cassette
right
5°-35°
pitch adjustment range

71154.

dimensions in mm

Face fixture using stand-off brackets



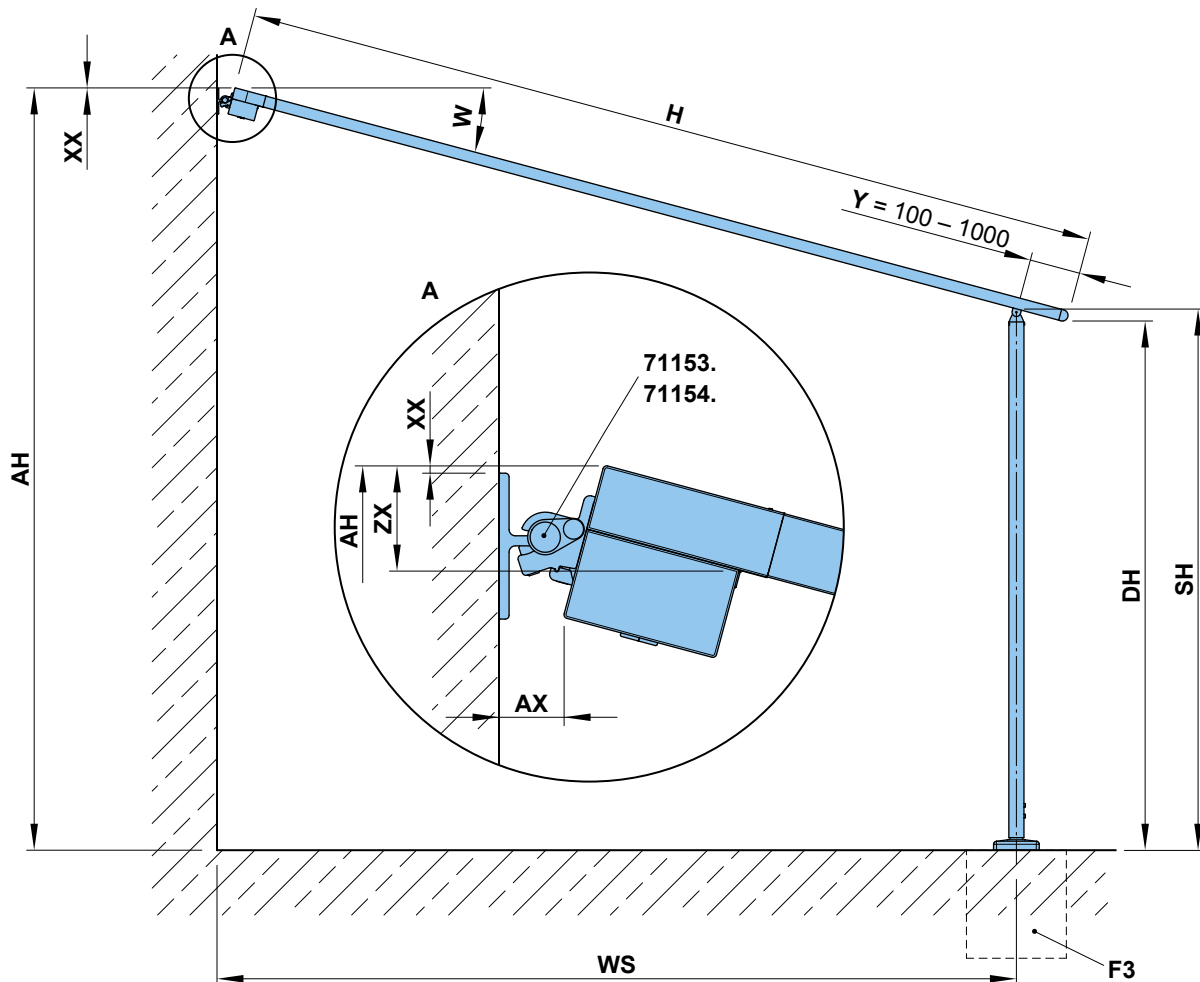
stand-off brackets for face fixture brackets
71153., 71154. and 71844.
length min. 80 mm up to max. 300 mm

77956.

dimensions in mm

Face fixture

Dimension overview of support post with footplate



W	AX	XX	ZX
5°	62	9	64
10°	57	6	74
15°	52	-2	84
20°	46	-3	93
25°	41	-8	101
30°	35	-13	109
35°	30	-18	115

71153. = face fixture cassette bracket, left

71154. = face fixture cassette bracket, right

AH = fixture height = $SH + ZX + \sin W \times (H - Y)$

AX = distance from wall \leftrightarrow cassette

DH = headroom = $SH - \sin W \times Y$

F3 = concrete foundation – please view section “Concrete foundations”

H = *order dimension* = extension

SH = *order dimension* = $AH - ZX - \sin W \times (H - Y)$

W = pitch (measured from the horizontal)

WS = distance from wall \leftrightarrow support post centre = $\cos W \times (H - Y) + AX$

Y = distance from post centre to leading edge of front profile min. 100 mm up to max. 1000 mm

XX = distance from the top edge of the fixture bracket to the top edge of the cassette (see table)

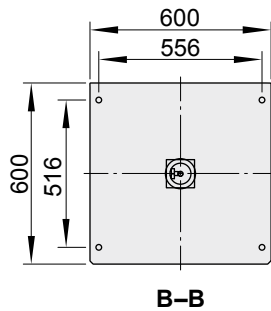
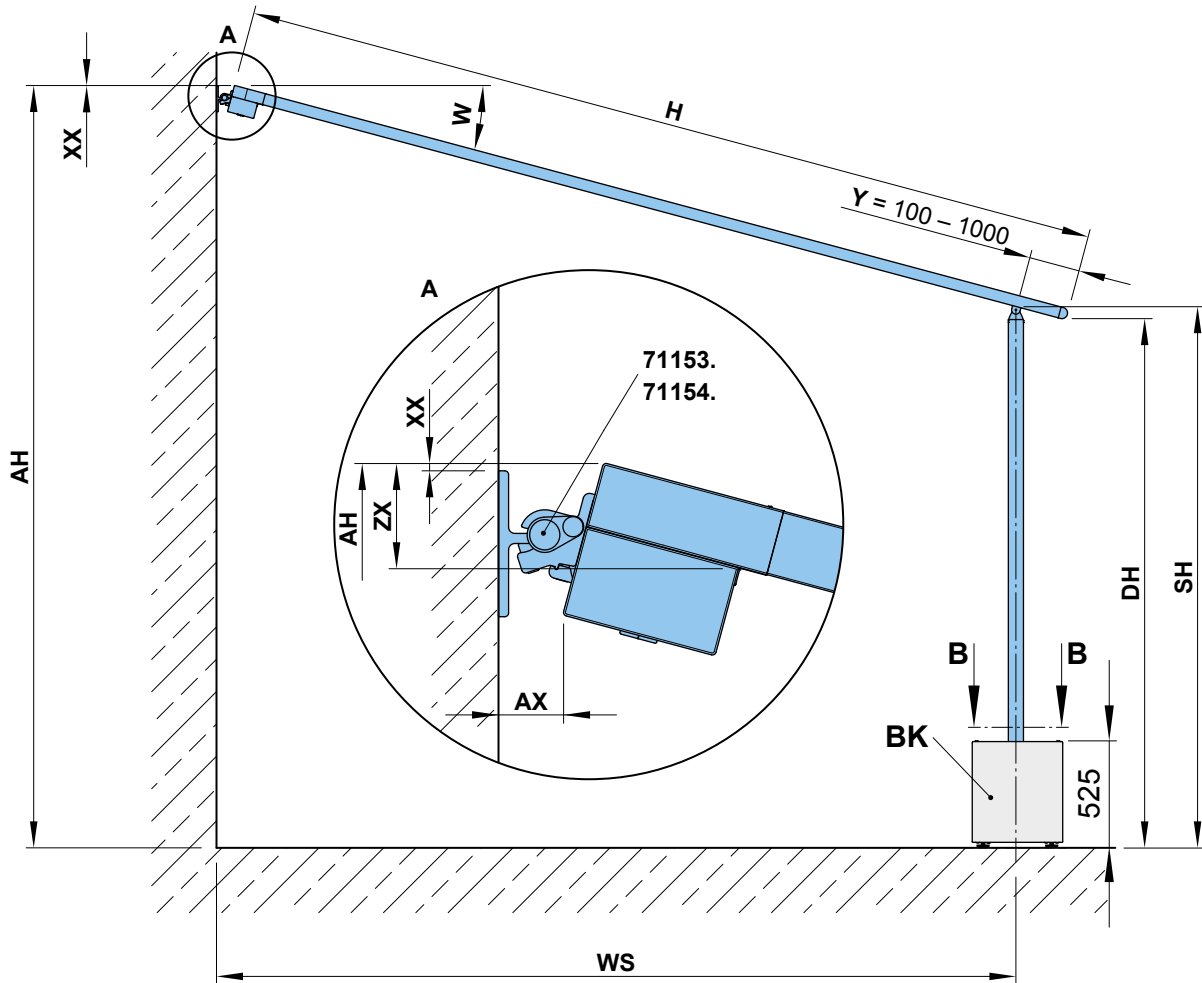
ZX = distance upper edge cassette – bottom edge of guide track

dimensions in mm

01 **Face fixture**

02 Dimension overview of support post with stabilisation box

03



W	AX	XX	ZX
5°	62	9	64
10°	57	6	74
15°	52	-2	84
20°	46	-3	93
25°	41	-8	101
30°	35	-13	109
35°	30	-18	115

Fill each of the stabilisation boxes on site with at least 150 kg of sand, gravel or pebbles.

- 71153.** = face fixture bracket cassette, pitch adjustment 5° to 35°, left
- 71154.** = face fixture bracket cassette, pitch adjustment 5° to 35°, right

- AH** = fixture height = $SH + ZX + \sin W \times (H - Y)$
- AX** = distance from wall \leftrightarrow cassette
- BK** = stabilisation box
- DH** = headroom = $SH - \sin W \times Y$
- H** = *order dimension = extension*
- SH** = *order dimension* = $AH - ZX - \sin W \times (H - Y)$
- W** = pitch (measured from the horizontal)
- WS** = distance from wall \leftrightarrow support post centre = $\cos W \times (H - Y) + AX$
- Y** = distance from post centre to leading edge of front profile min. 100 mm up to max. 1000 mm
- XX** = distance from the top edge of the fixture bracket to the top edge of the cassette (see table)
- ZX** = distance upper edge cassette – bottom edge of guide track

dimensions in mm

Dimension overview with wall sealing profile

Face fixture, various pitch positions



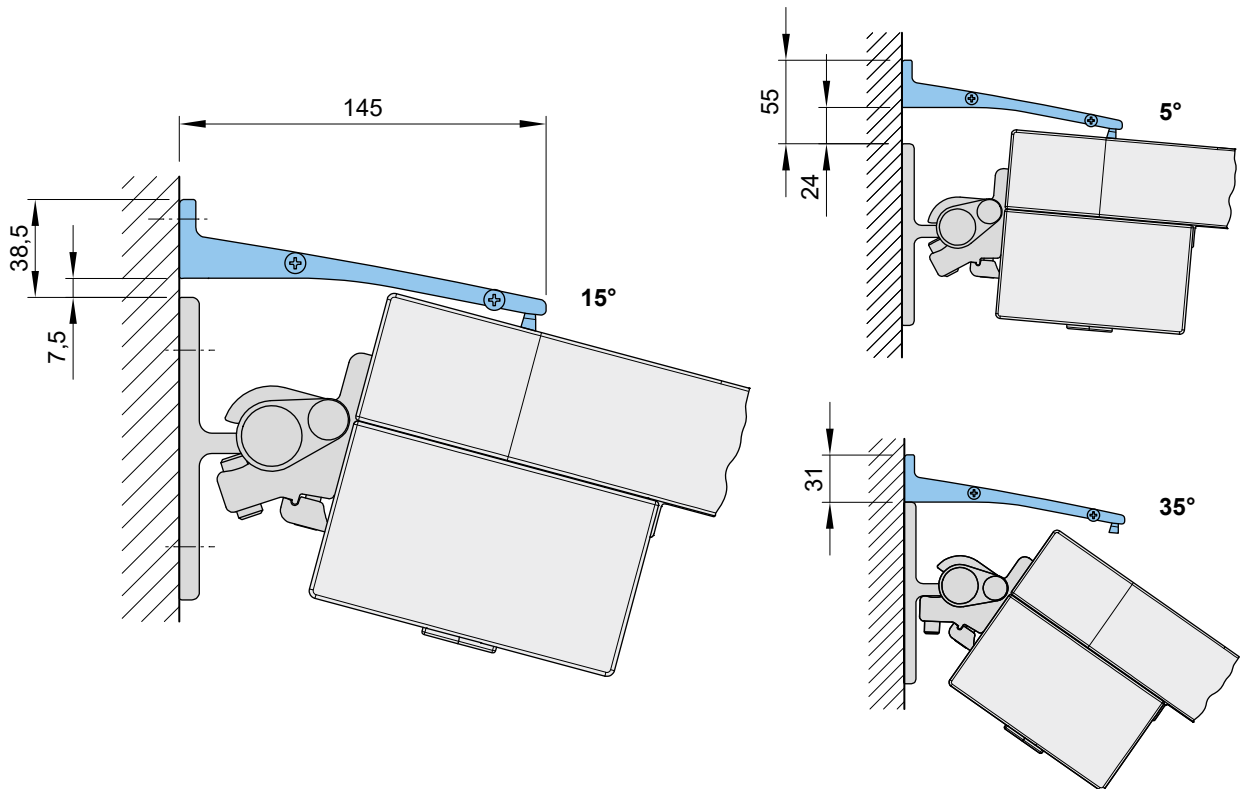
wall sealing profile incl. brush seal
by the metre

76385. and 704241



1 side plate including 2 pan-head self-tapping screws for wall sealing profile

76386. and 2 × 735611

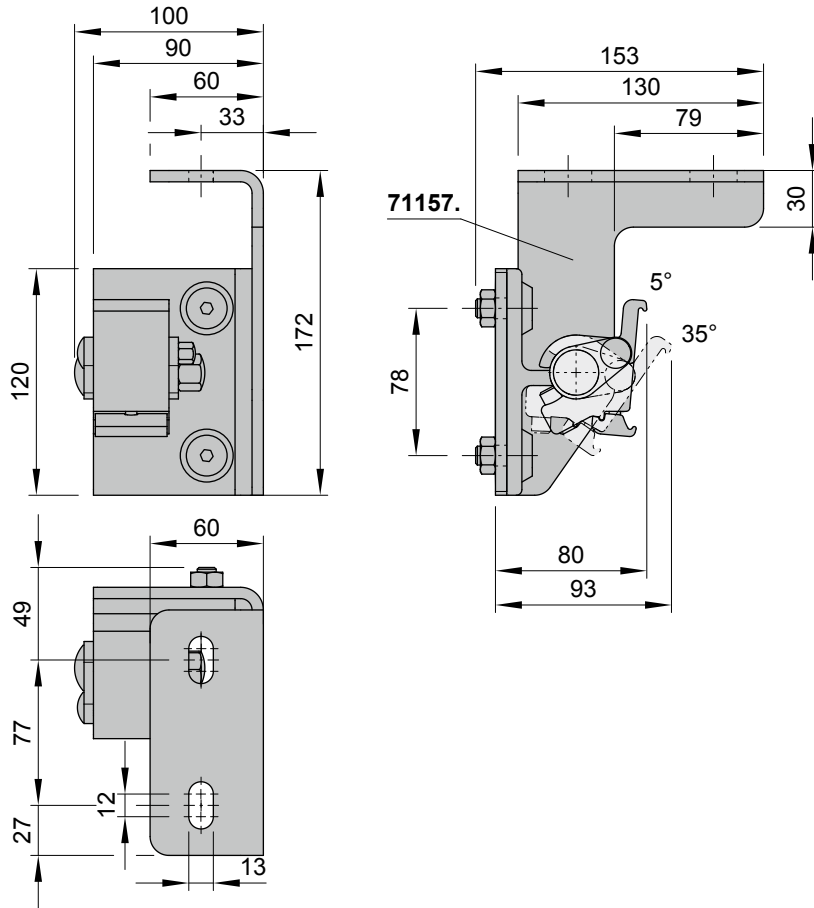
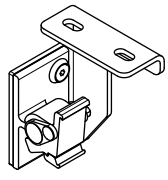


- 01
- 02
- 03**
- 04
- 05

- 01
- 02
- 03
- 04
- 05

Top fixture

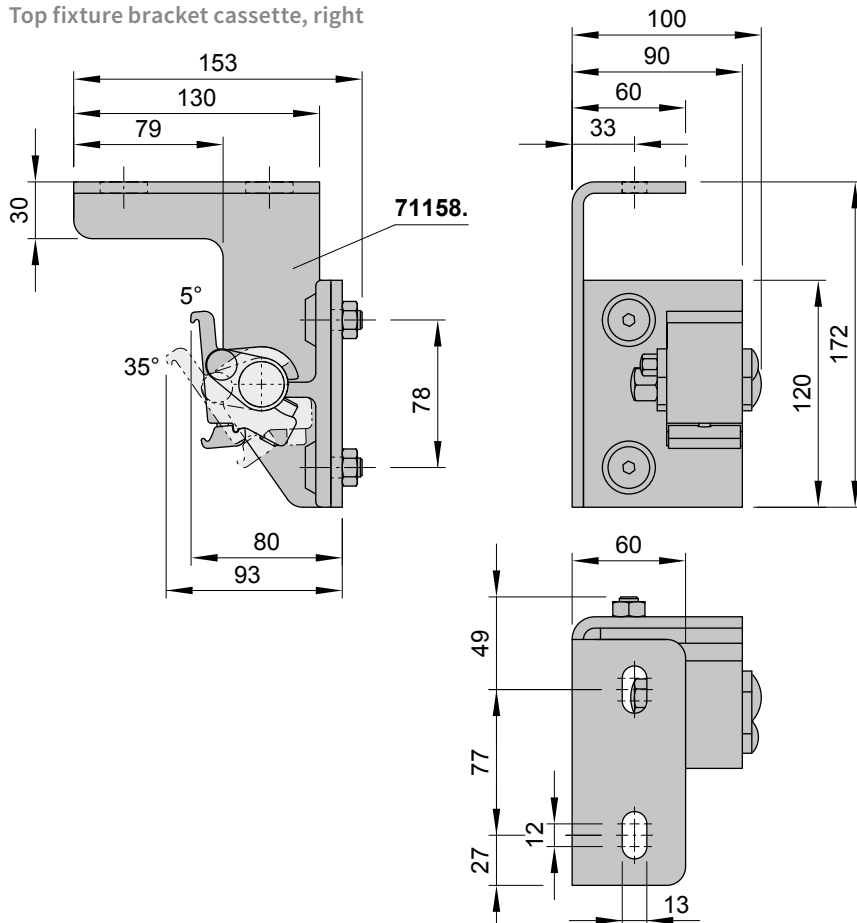
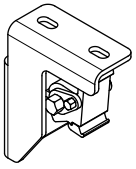
Top fixture bracket cassette, left

top fixture bracket cassette
left
pitch adjustment range
5°-35°

71157.

Top fixture bracket cassette, right

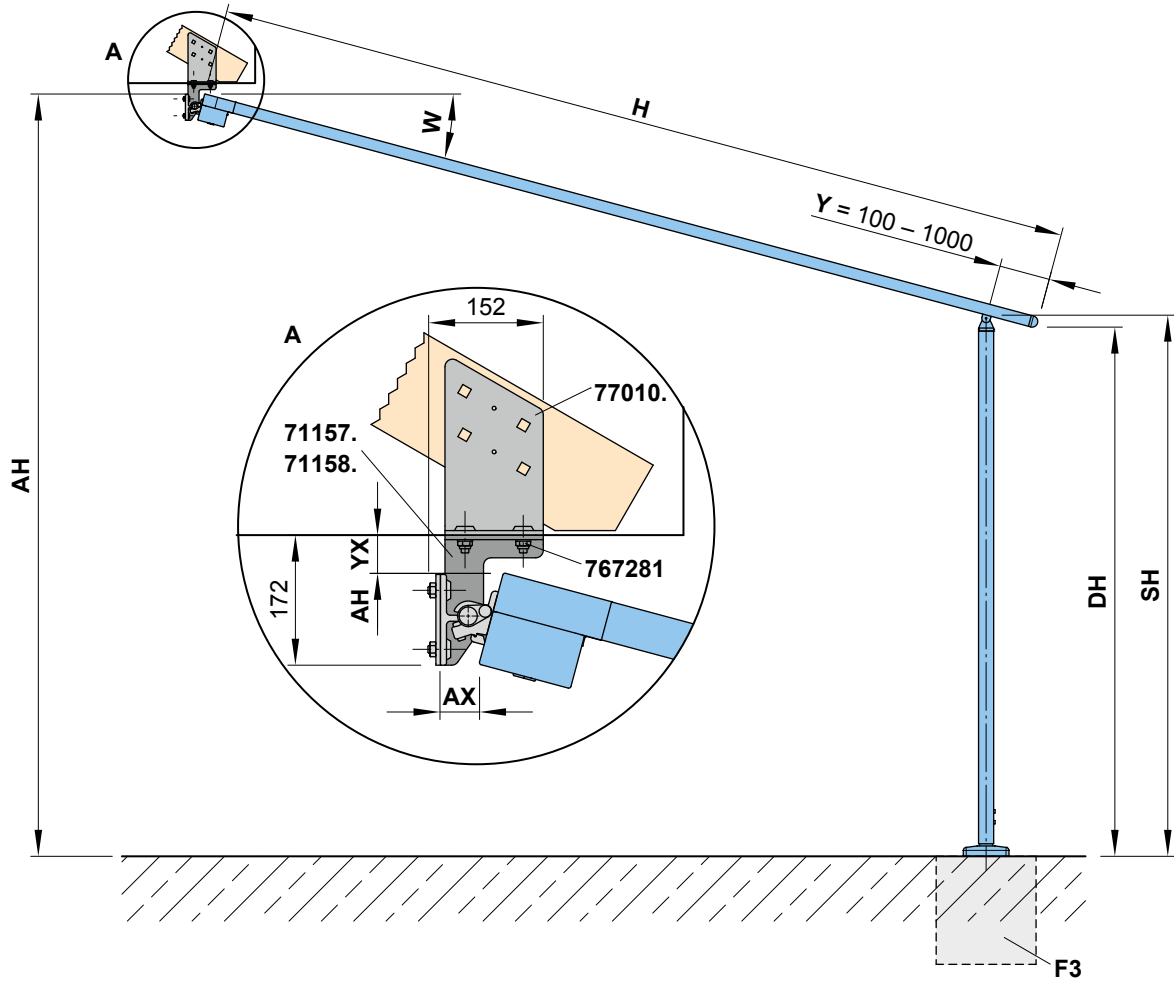
top fixture bracket cassette
right
pitch adjustment range
5°-35°

71158.

dimensions in mm

Top and eaves fixture

Dimension overview of support post with footplate



W	AX	YX
5°	62	40
10°	57	43
15°	52	51
20°	46	52
25°	41	57
30°	35	62
35°	30	67

767281 = accessories for two eaves fixture brackets 77010.

77010. = eaves fixture bracket

71157. = face fixture bracket cassette, pitch adjustment 5° to 35°, left

71158. = top fixture bracket cassette, pitch adjustment 5° to 35°, right

AH = fixture height = $SH + ZX + \sin W \times (H - Y)$

AX = distance from wall \leftrightarrow cassette

DH = headroom = $SH - \sin W \times Y$

F3 = concrete foundation – please view section “Concrete foundations”

H = *order dimension* = extension

SH = support post height, standard height 2500 mm (special heights on request) = $AH - ZX - \sin W \times (H - Y)$

W = pitch (measured from the horizontal)

Y = distance from post centre to leading edge of front profile min. 100 mm up to max. 1000 mm

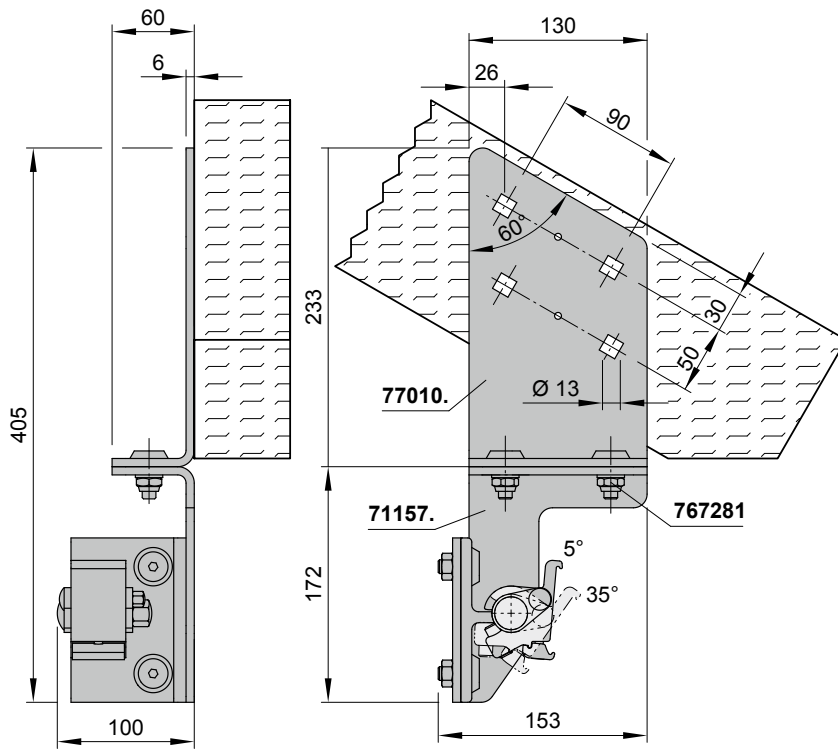
YX = distance from wall \leftrightarrow cassette (see table)

dimensions in mm

01
02
03
04
05

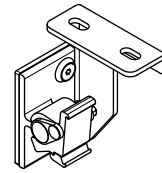
Eaves fixture

Eaves fixture bracket (left, by way of example)



eaves fixture
bracket plate

77010.

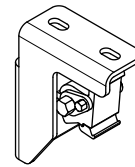


top fixture bracket
cassette

left

pitch adjustment range
5°-35°

71157.

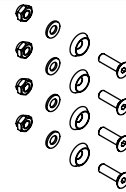


top fixture bracket
cassette

right

pitch adjustment range
5°-35°

71158.



accessories

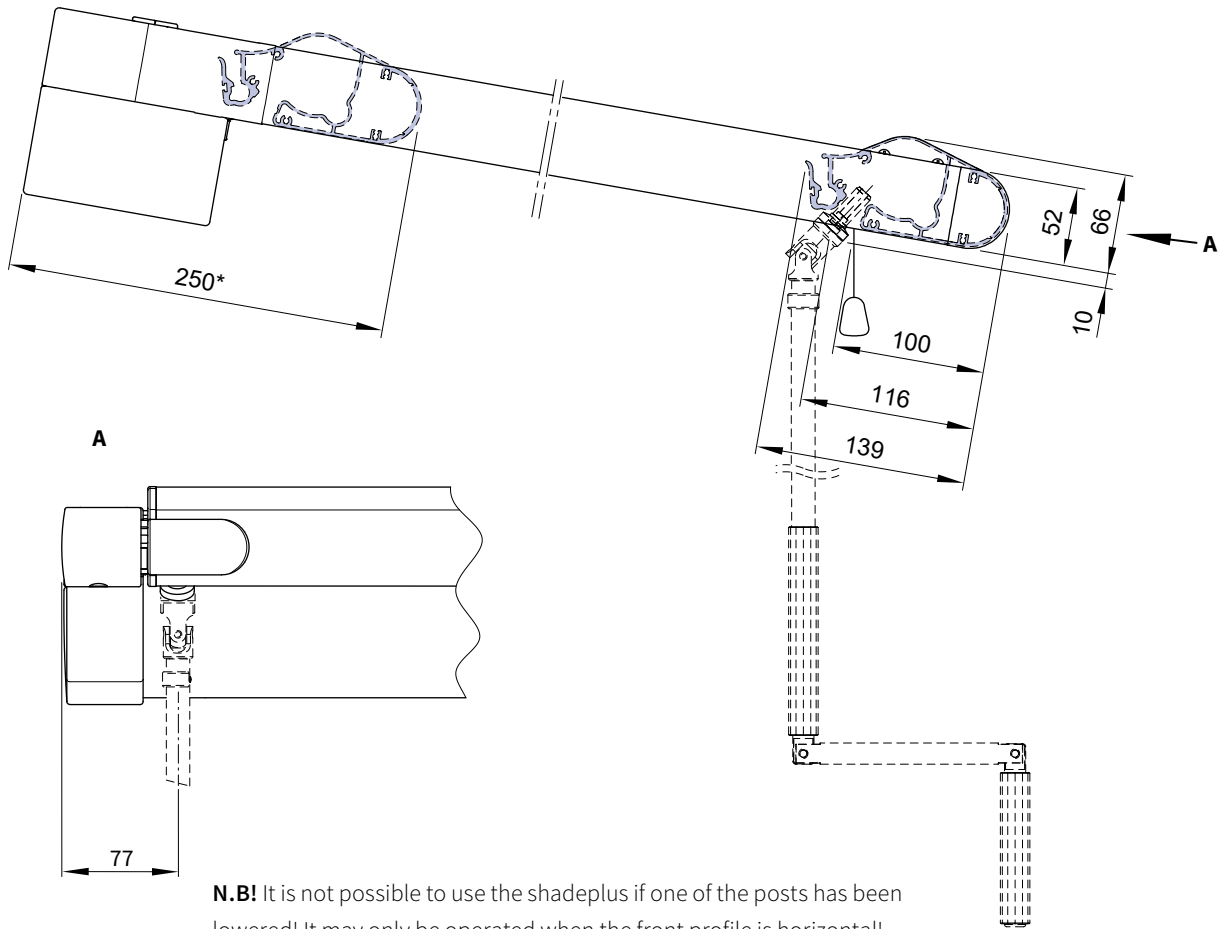
for two eaves fixture
brackets 77010.

767281

dimensions in mm

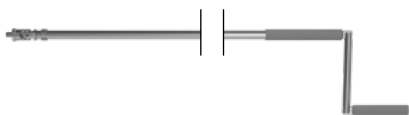
Dimension overview, shadeplus

Magnetic, articulated crank handle ¹⁾



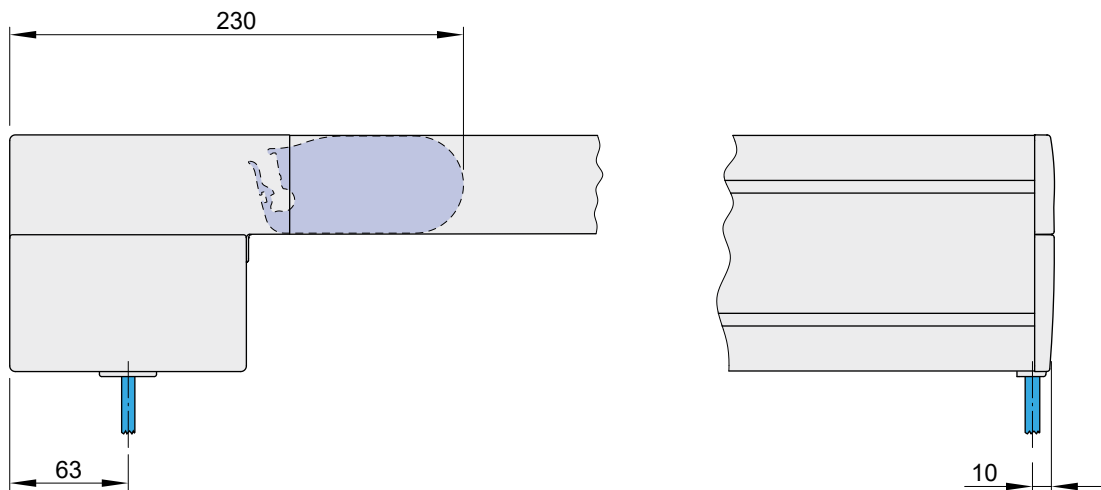
N.B! It is not possible to use the shadeplus if one of the posts has been lowered! It may only be operated when the front profile is horizontal!

* = dimension with the awning retracted



Magnetic, articulated crank handle for manual operation of the shadeplus / drop valance lengths: standard 120 cm, optional 160 cm, from 160 cm up to max. 280 cm on request (order no. 74271.)

Motor cable exit point ¹⁾



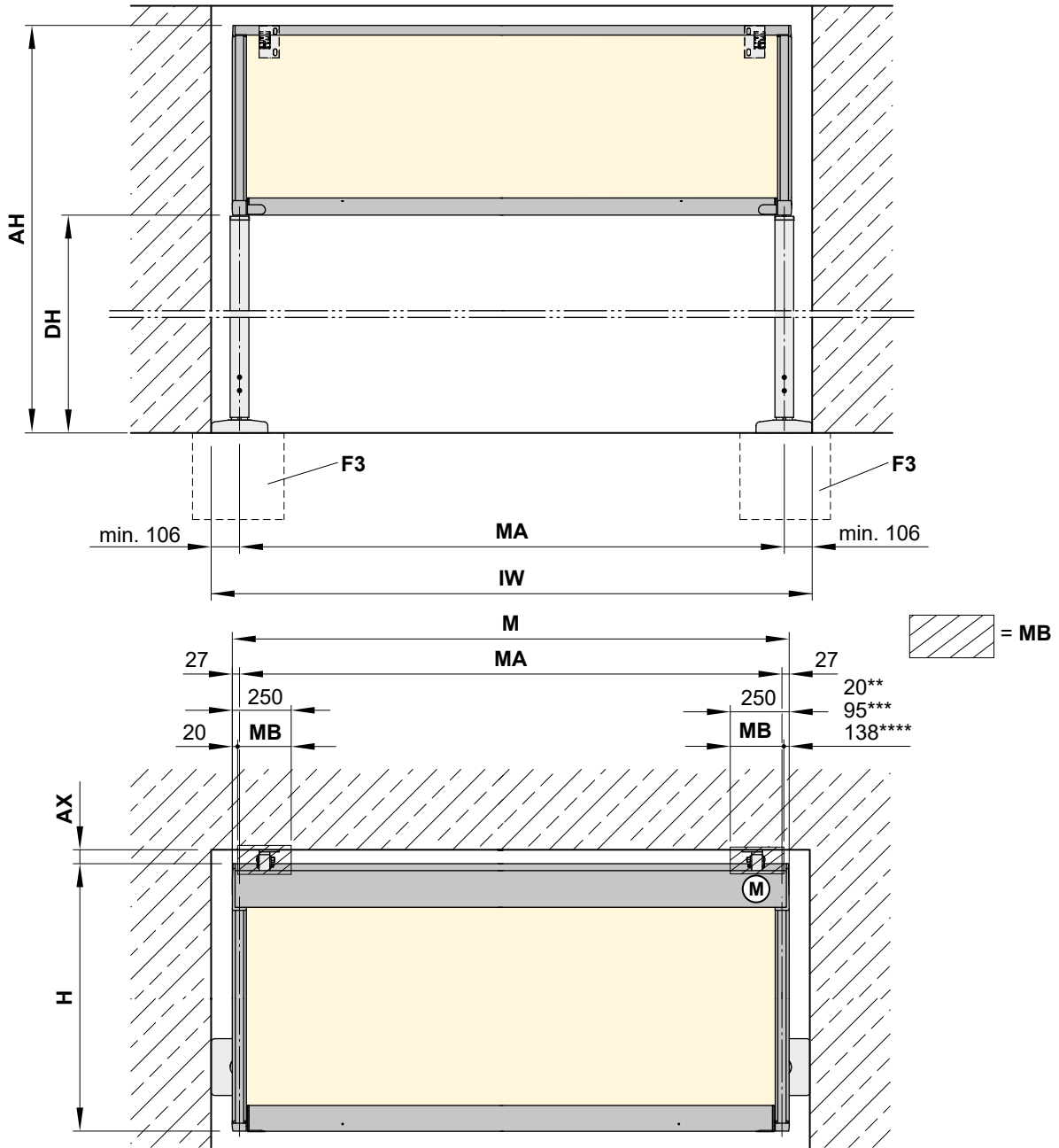
¹⁾ depending on the operation side, right or left

dimensions in mm

01
02
03
04
05

Overview of dimensions

Reveal fixture



** = dimension for bottom cable exit on motor side (optional)

*** = dimension in the case of lighting

**** = dimension in the case of lighting and shadeplus / drop valance

AH = fixture height

AX = distance from wall ↔ cassette

DH = headroom

F3 = concrete foundation – please view section “Concrete foundations”

H = *order dimension* = extension

HT = bracket

M = overall awning width = MA + 54 mm

Ⓜ = drive side motor, on the right by way of example

MA = order dimension = awning fixture width = fixture width

MB = bracket fixture range

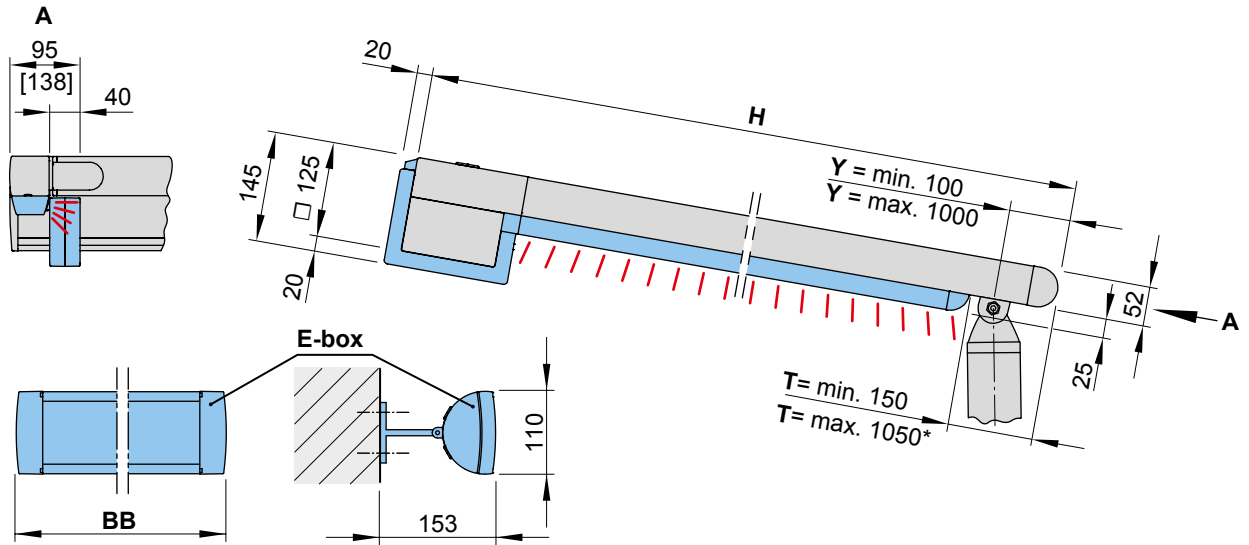
IW = reveal width

N.B! In the case of reveal fixture a distance of at least 106 mm must be left free on each side of the awning.

dimensions in mm

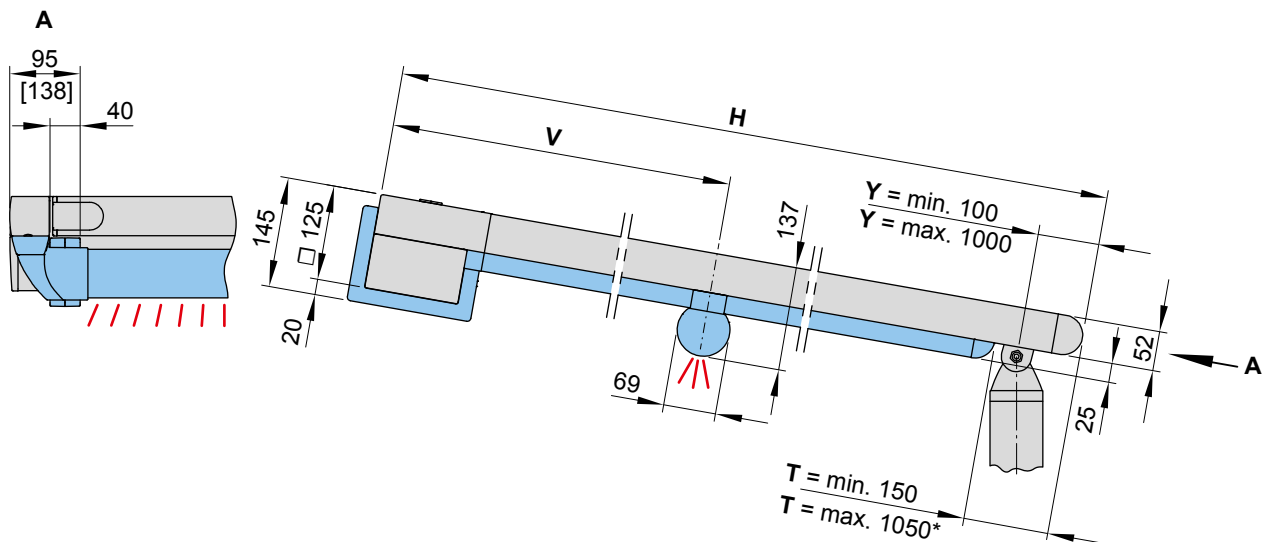
Dimension overview with the various lighting options

Option 1: LED-Line in the guide tracks, electronic components in an E box



Option 2: LED-Line in the cover support tube, electronic components in the cover support tube

Option 3: LED-Line in the cover support tube and in the guide tracks, electronic components in the cover support tube



* = standard dimension

[...] = dimension in the case of lighting and shadeplus / drop valance

BB = order width

E-box = see section "E-box"

H = *order dimension* = extension

T = indent dimension LED-Line

V = distance from the rear of the cassette to the centre of the (rear) cover support tube.

Standard: centred ($V = H \div 2$) / optional: ($V \text{ min.} = 500 \text{ mm. } V \text{ max.} = H - 500 \text{ mm}$)

Y = distance from post centre to leading edge of front profile

dimensions in mm

01 **Dimension overview with the various lighting options**

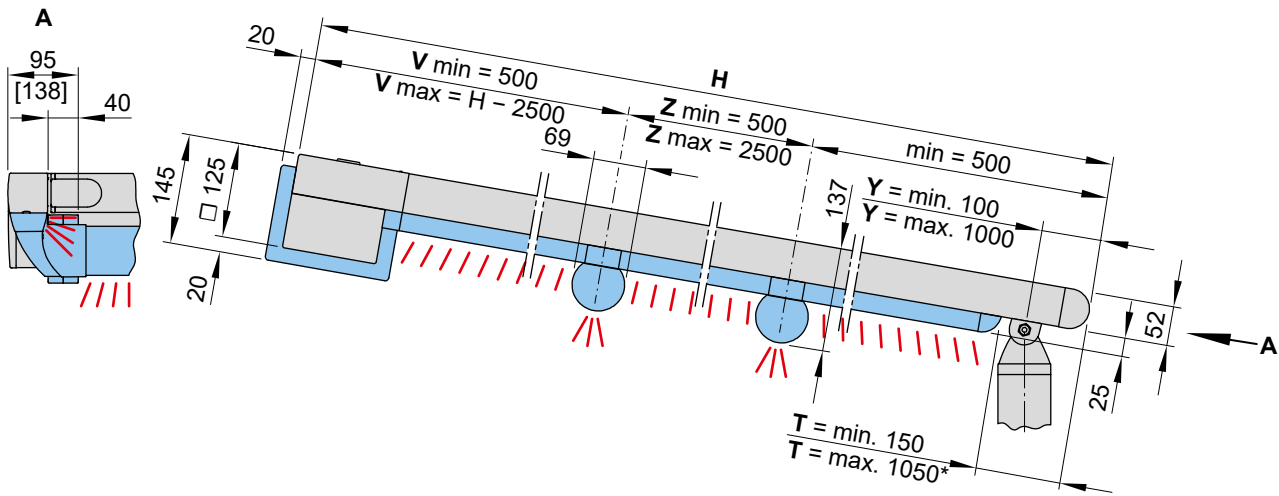
Option 4: LED-Line in two cover support tubes, electronic components in the cover support tube

Option 5: LED-Line in two cover support tubes and fitted to the guide tracks, electronic components in the cover support tube

03

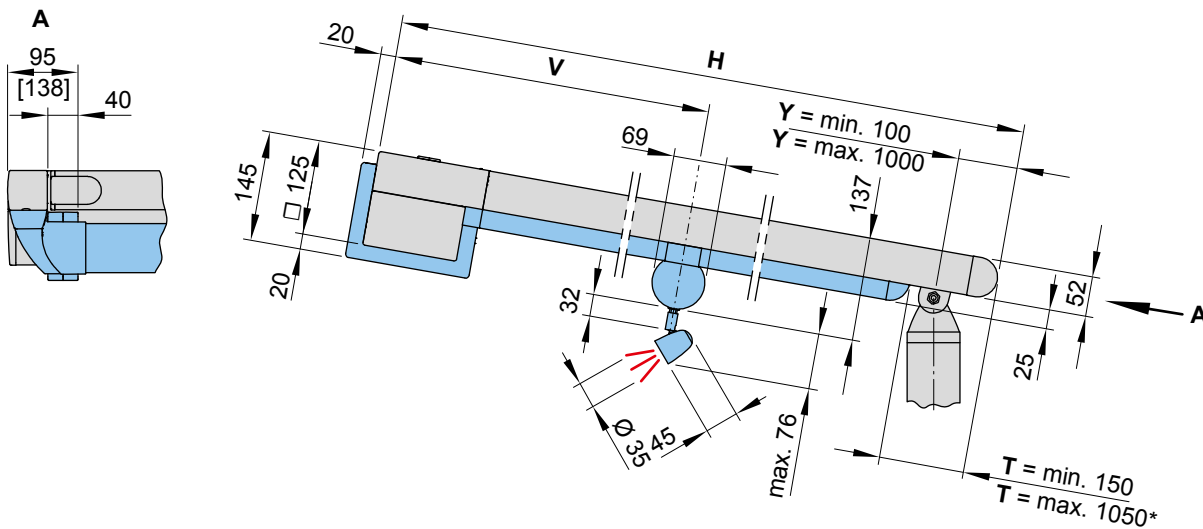
04

05



Option 6: LED-Spots in the cover support tube, electronic components in the cover support tube

Option 7: LED-Spots in the cover support tube and LED-Line in the guide tracks, electronic components in the cover support tube



* = standard dimension

[...] = dimension in the case of lighting and shadeplus / drop valance

H = *order dimension* = extension

T = indent dimension LED-Line

V = distance from the rear of the cassette to the centre of the (rear) cover support tube. In the case of 1 cover support tube, standard: centred ($V = H \div 2$). Optionally this can be stipulated when ordering ($V \text{ min.} = 500 \text{ mm}$. $V \text{ max.} = H - 500 \text{ mm}$)
In the case of 2 cover support tubes, $V \text{ min.} = 500 \text{ mm}$. $V \text{ max.} = H - 2500 \text{ mm}$

Y = distance from post centre to leading edge of front profile

Z = distance from centre of 1st to centre of second cover support tube

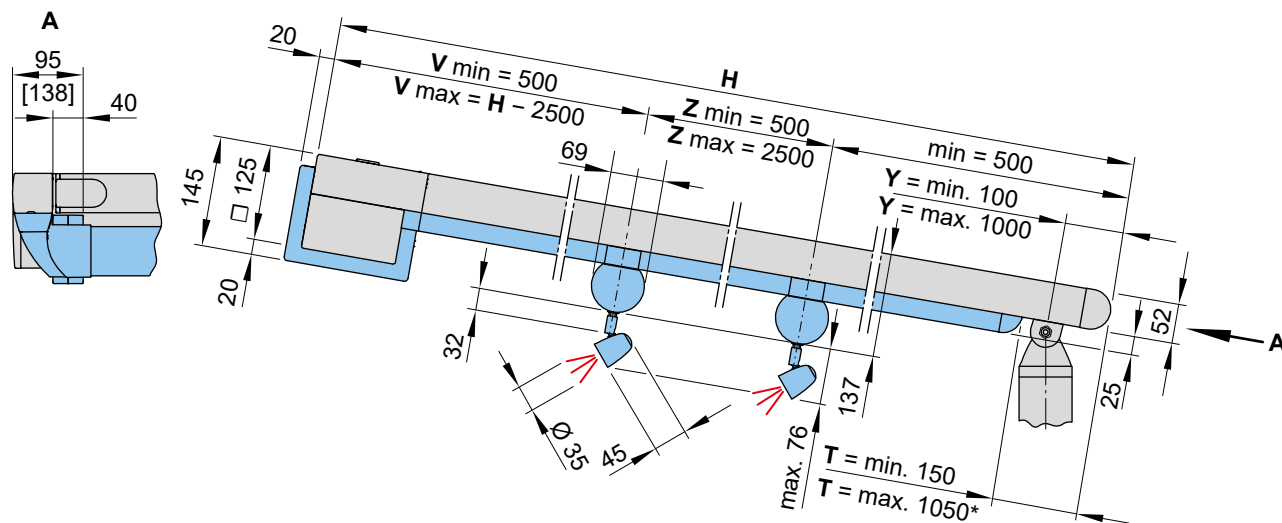
dimensions in mm

Dimension overview with the various lighting options

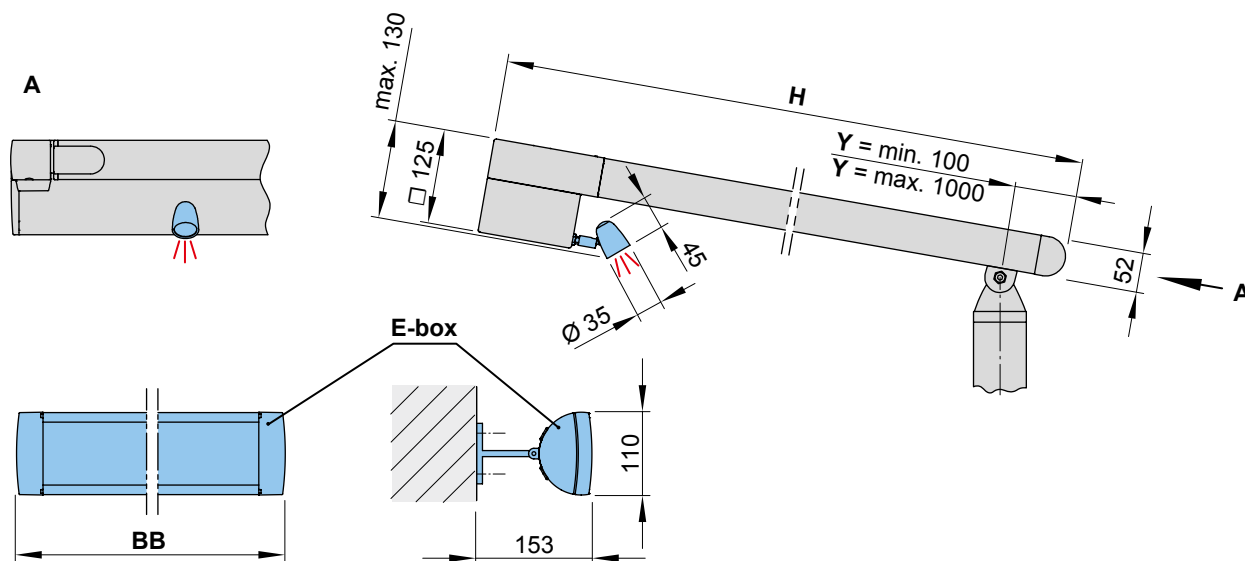
01
02
03
04
05

Option 8: LED spotlights fitted to two cover support tubes, electronic components in the cover support tube

Option 9: LED spotlights fitted to two cover support tubes and LED-Line attached to the guide tracks, electronic components in the cover support tube



Option 10: LED-Spots fitted to the cassette (can be combined at will with options 1-9), electronic components in an E box or in the cover support tube



- * = standard dimension
- [...] = dimension in the case of lighting and shadeplus / drop valance
- BB = order width
- E-box = see section "E-box"
- H = *order dimension* = extension
- T = indent dimension LED-Line
- V = distance from the rear of the cassette to the centre of the (rear) cover support tube.
In the case of 2 cover support tubes, $V_{min.} = 500$ mm. $V_{max.} = H - 2500$ mm
- Y = distance from post centre to leading edge of front profile
- Z = distance from centre of 1st to centre of second cover support tube

dimensions in mm

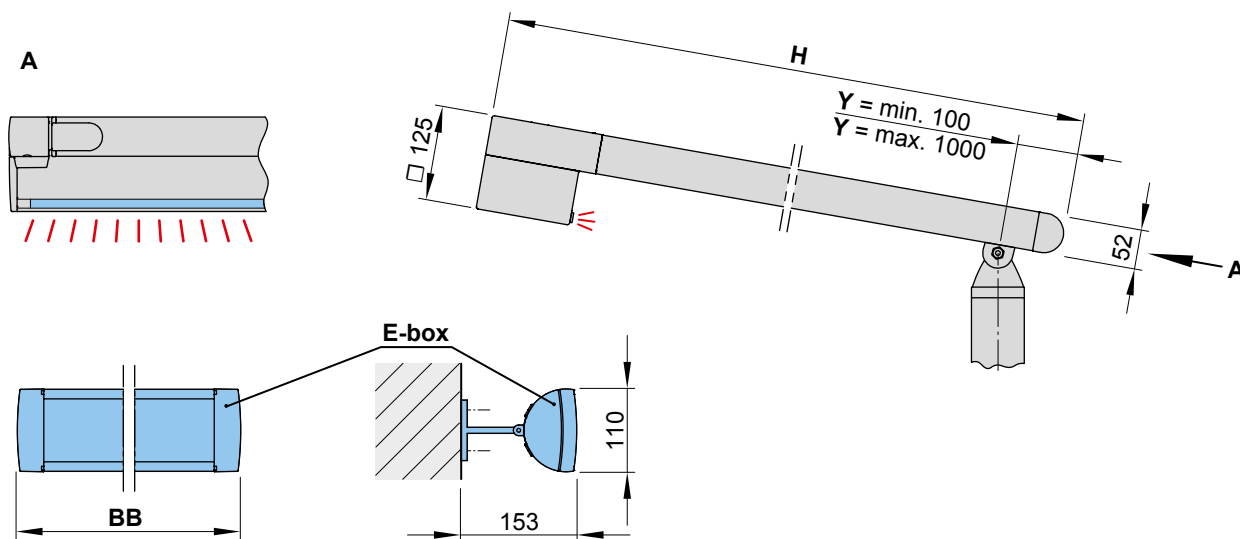
01 **Dimension overview with the various lighting options**

02 Option 11: LED-Spots in the cassette (can be combined at will with options 1-9), electronic components in an E box or in the cover support tube

03

04

05



BB = order width

E-box = see section "E-box"

H = order dimension = extension

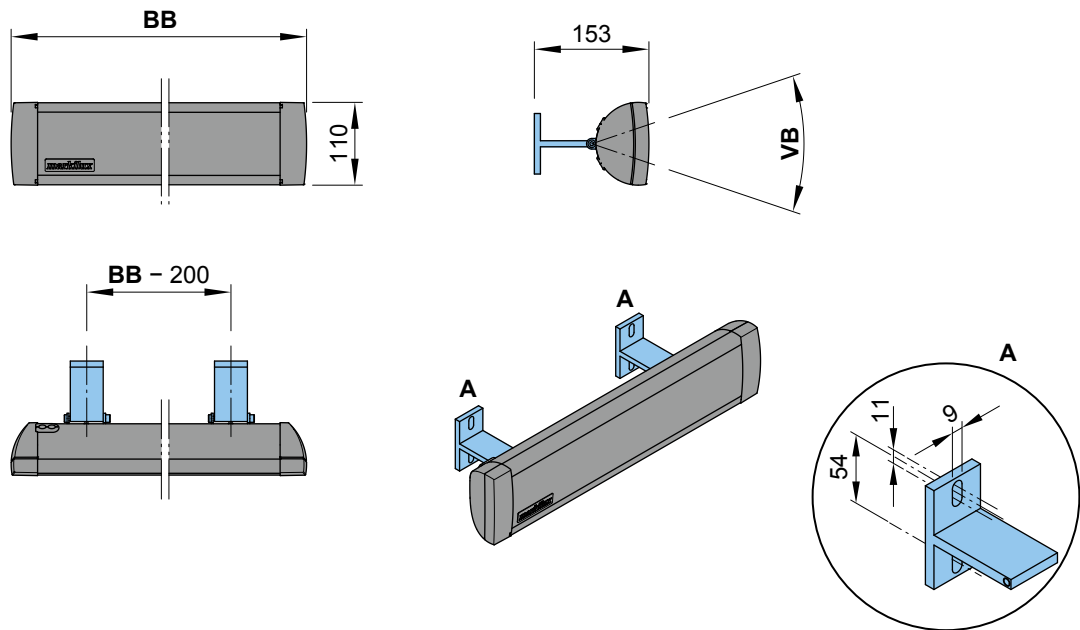
Y = distance from post centre to leading edge of front profile

dimensions in mm

E-box

Overview of dimensions

01
02
03
04
05



Overview of dimensions and applications

wireless technology

Extension H

	RTS (433 MHz)		868 MHz io	
	< 330 cm	≥ 330 cm	< 330 cm	≥ 330 cm

Lighting options

LED-Line below the guide tracks	E-box M 71850. BB = 500 mm	E-box G 71873. BB = 700 mm	
LED-Spots attached to the cassette	E-box M 71850. BB = 500 mm		
LED-Line below the guide tracks and LED spotlights attached to or LED-Line recessed into the cassette	E-box G 71873. BB = 700 mm	E-box L 71874. BB = 1200 mm	

individual use

E-box I 71851.BB = ordered to size

BB = order width

VB = adjustment range

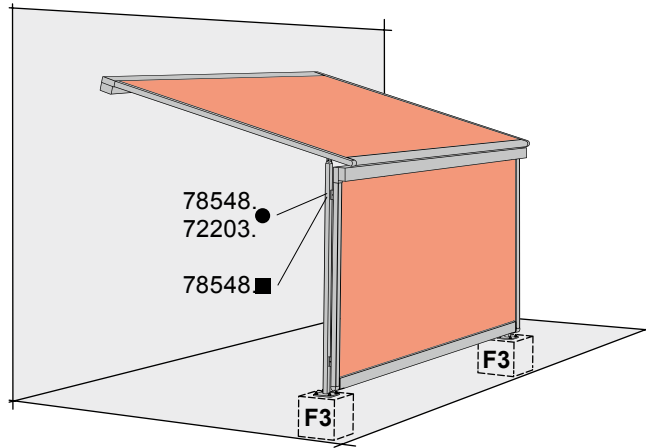
dimensions in mm

01
02
03
04
05

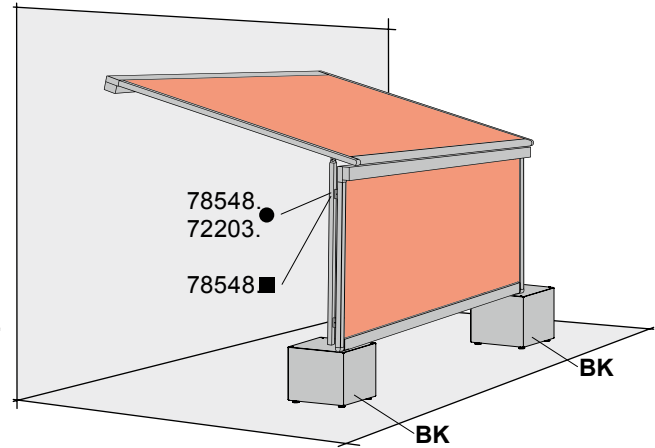
Combination Possibilities

Example with markilux 776 tracfix / 876 tracfix (optionally with panorama window)

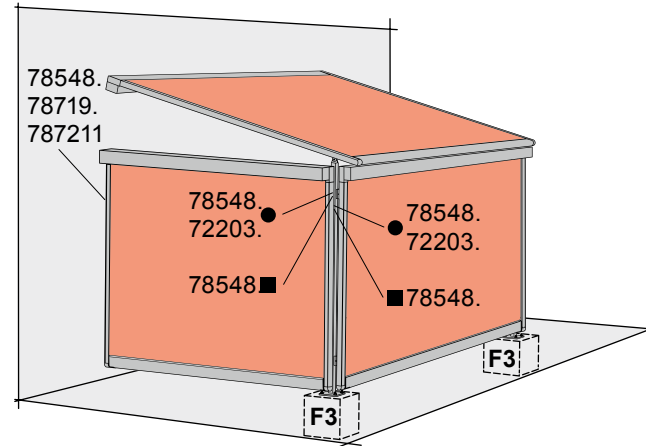
Vertical cassette blind at the front



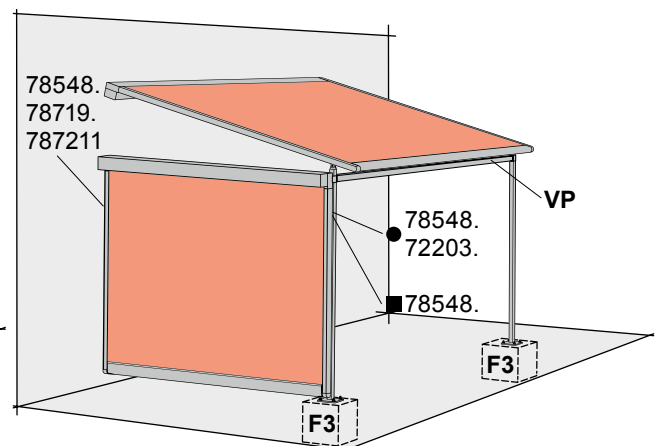
Installation of a vertical cassette blind at the front, support posts with stabilisation boxes



Installation of a vertical cassette blind both to the side and at the front



Installation of a vertical cassette blind to the side and stabilising cross bar between support posts



N.B! The installation of a vertical cassette blind to the side is only allowed, if either a stabilising cross bar or another vertical cassette blind is installed between the support posts.

The combination of markilux pergola compact with vertical cassette blinds is only permitted if two fixed posts are used.

Further possible combinations

- markilux 790 at the side (cover optionally with angled top edge)
- markilux 790 at the front between support posts
- pergola compact fitted to the markilux syncra or markilux construct
- other possible combinations may be available on request

72203. = post fixture guide track (round support post)

78548. = flat track brackets

78719. = additional angled bracket, bearing / gearbox / motor side

787211 = accessories for two angled brackets

BK = stabilisation boxes (600 × 600 × 525 mm)

F3 = concrete foundation – please view section “Concrete foundations”

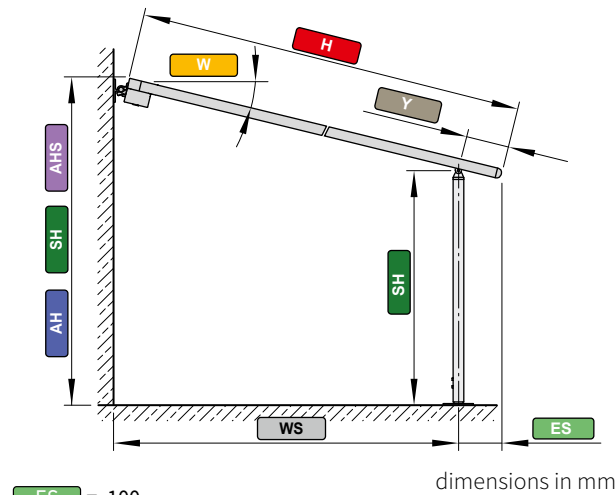
VP = cross bar

● = round post

■ = square post

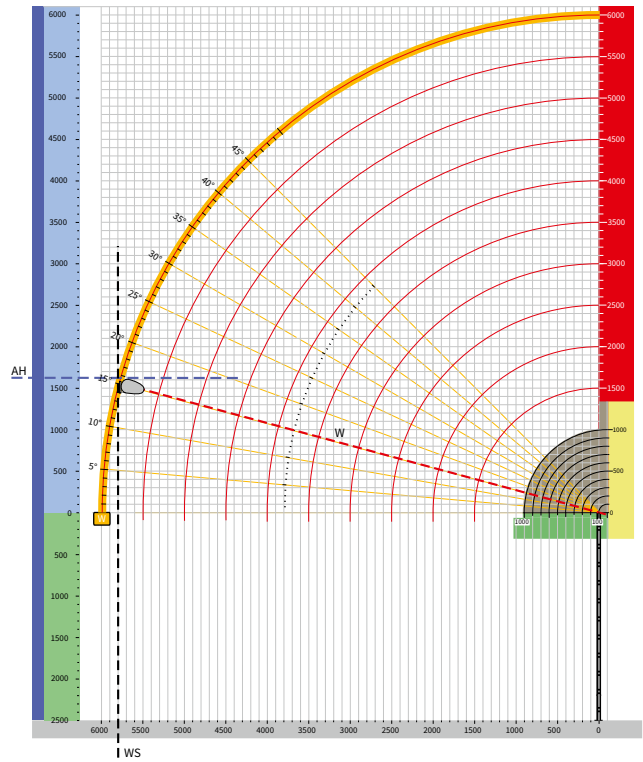
Calculation of the approximate fixture height, examples

Example 1: front support posts pushed as far forward as possible, Y = 100 mm

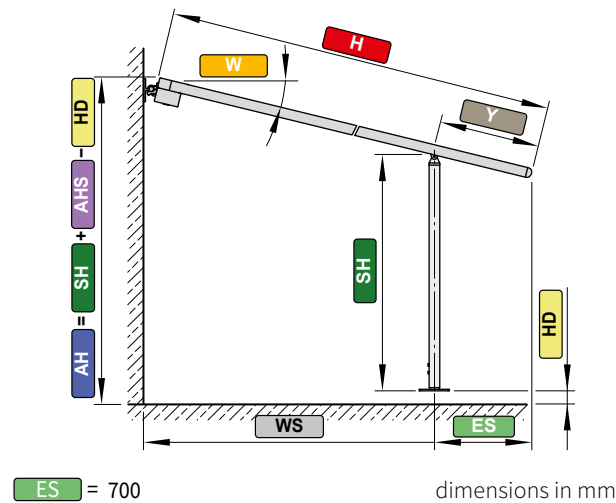


- ES = 100
- W = 15°
- H = 6000
- WS = 5800
- Y = 100
- SH = 2500
- AHS = 1620
- AH = SH + AHS = 2500 + 1620 = 4120

dimensions in mm

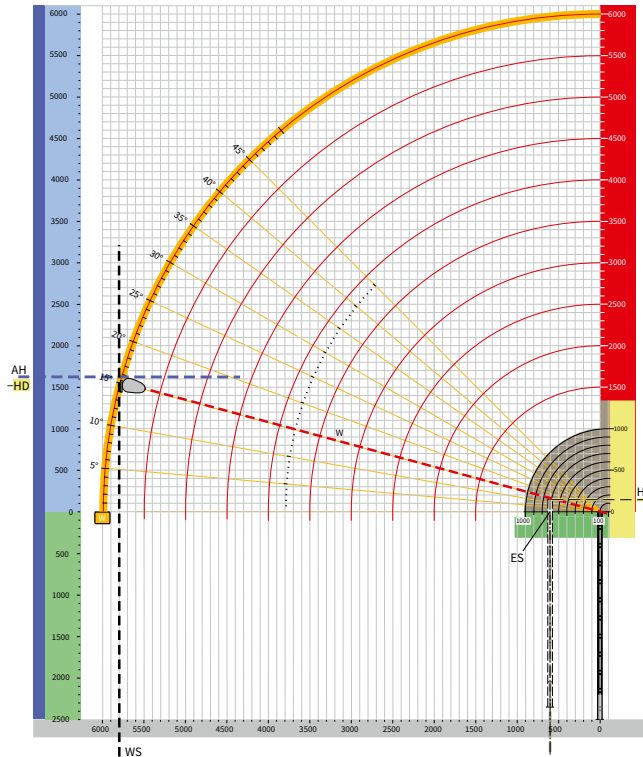


Example 2: front support posts pushed back, Y ≥ 100 mm and ≤ 1000 mm



- ES = 700
- W = 15°
- H = 6000
- WS = 5200
- Y = 700
- HD = 130
- SH = 2500
- AHS = 1620
- AH = SH + AHS - HD = 2500 + 1620 - 130 = 3990

dimensions in mm



- ES = end of the guide track - centre of support post
- W = pitch
- H = extension

- WS = distance from wall ↔ support post
- Y = distance from post centre to leading edge of front profile
- HD = difference to the fixture height

- SH = support post height, standard 2500 mm
- AHS = fixture height from the top edge of the support post
- AH = fixture height

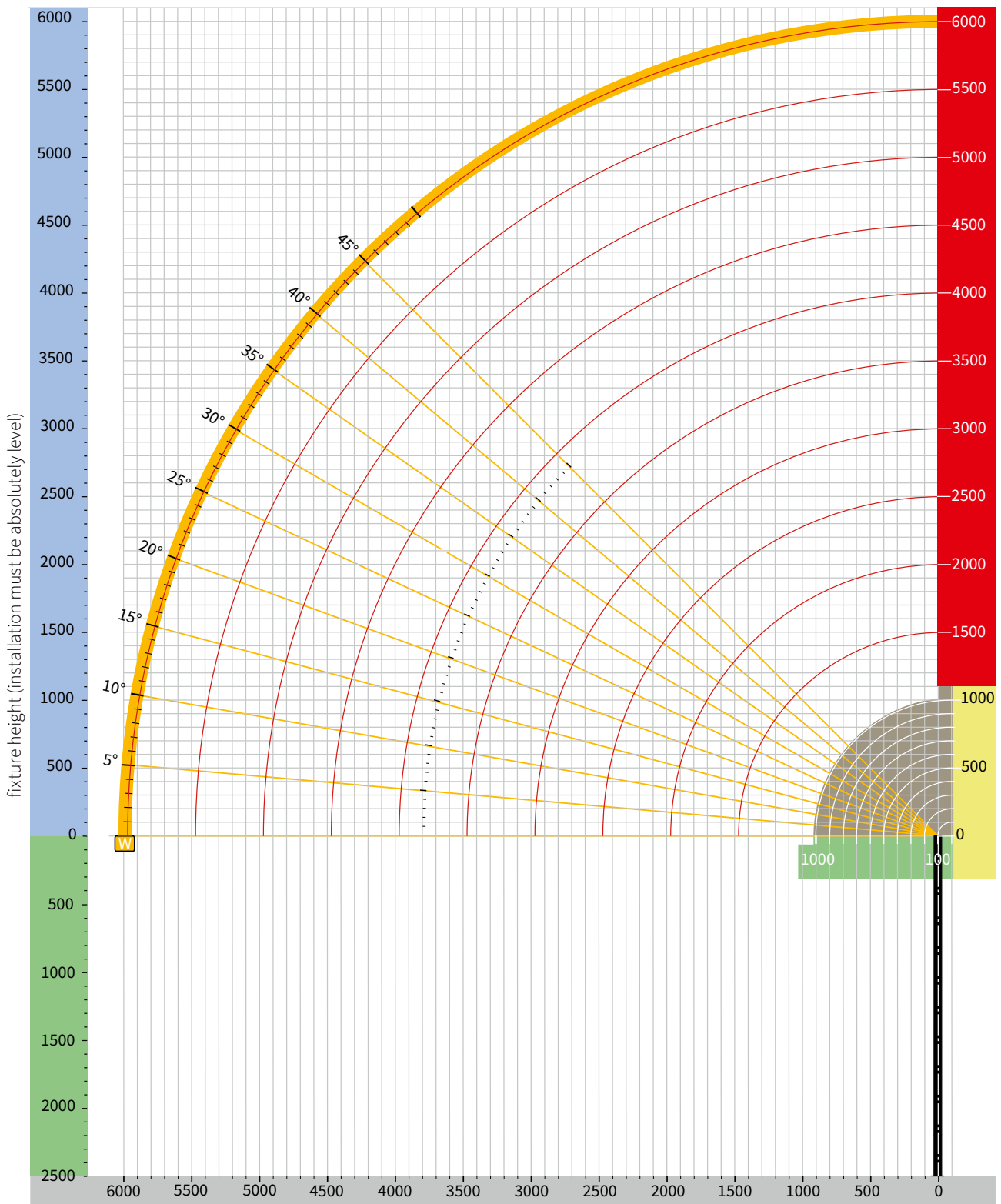
01 **Calculation of the approximate fixture height**

02 Drawing template

03

04

05



N.B! An on-line tool to calculate the installation measurements can be found in the protected area of the website, markiluxPRO.

dimensions in mm