

HC 80 110

EXTERNAL MANUAL ROLLER BLIND SYSTEM

Designed to control the entry of natural light, heat and solar energy from the outside, external roller blinds provide thermal and visual and comfort for living spaces and alfresco entertaining areas all year round.

This stylish external blind solution is cleverly designed so that when retracted, the fabric is totally protected inside the square cassette headbox, maintaining a streamlined modern aesthetic. The weighted heavy duty base bar ensures optimal presentation of the fabric at all times

The *HC 80 110* comes with a 9:1 gear ratio for maximum ease of use and offers a choice of over 120 different frame colours to suit any external façade. Helioscreen external systems will reduce the sun's heat by up to 90% and come with a 5 year warranty.

MINIMUM WIDTH: 800mm
MAXIMUM WIDTH: 4000mm
MAXIMUM DROP: 2800mm

HEADBOX

- 110 x 110mm, 3 piece extruded aluminium headbox
- Anodised or available in over 120 custom powder-coat colours (Dulux)

TUBE

- 80mm diameter

BASE BAR

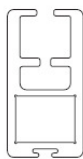
- 18x35mm rectangular - extruded aluminium
- 22x37mm teardrop—extruded aluminium. with telescopic end caps

CONTROL

- 9:1 ratio Heavy Duty Gearbox
- Crank Handle

GUIDING

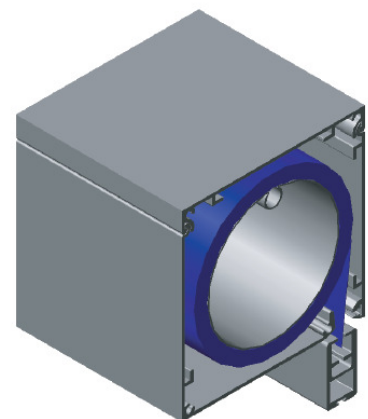
- Marine grade 316 Stainless Steel Guide Cables and fittings
- 20x26 Aluminium Side Channels



Helio Base Bar



Teardrop Base Bar



110mm Cassette Headbox