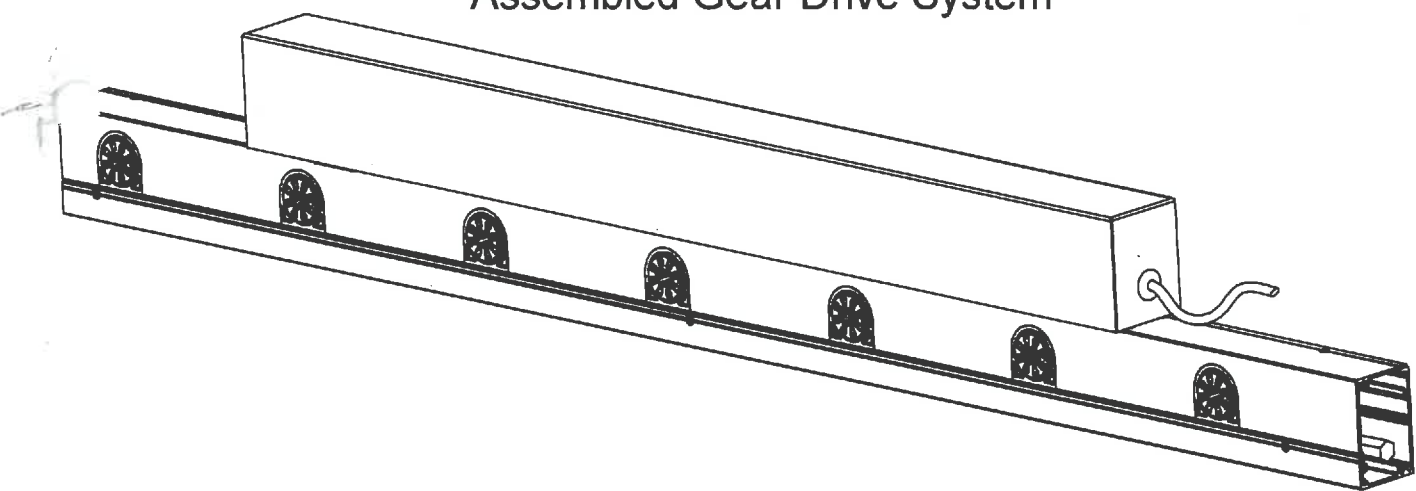


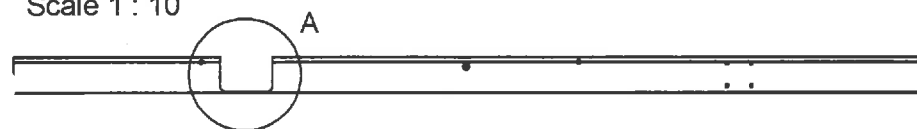
SUN LOUVRE SYSTEMS - GEAR DRIVE TYPE 3 MILLING DETAILS - ASSEMBLY DETAIL

Assembled Gear Drive System



Plan View - Spiral Frame

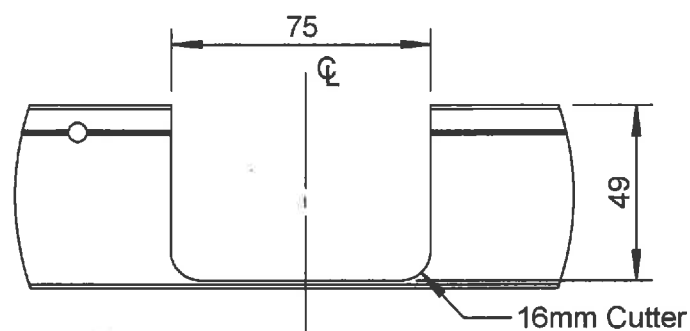
Scale 1 : 10



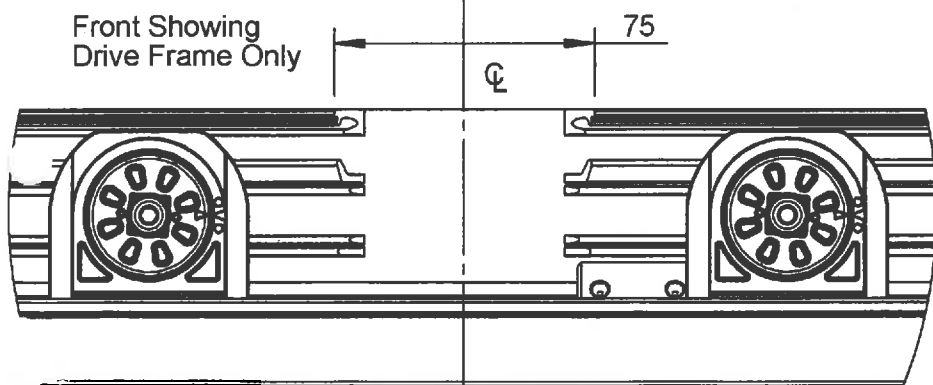
Gear Drive Fitting Milling Detail A

Scale 1 : 2

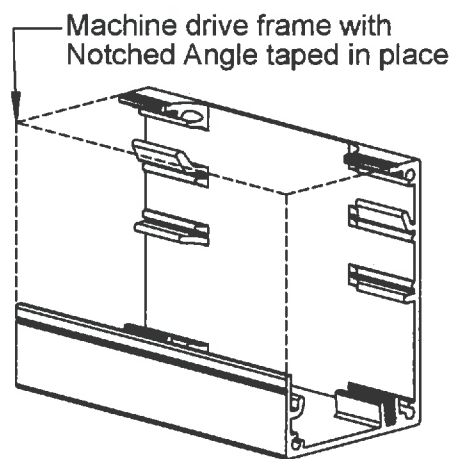
Plan Showing Notched Angle Only



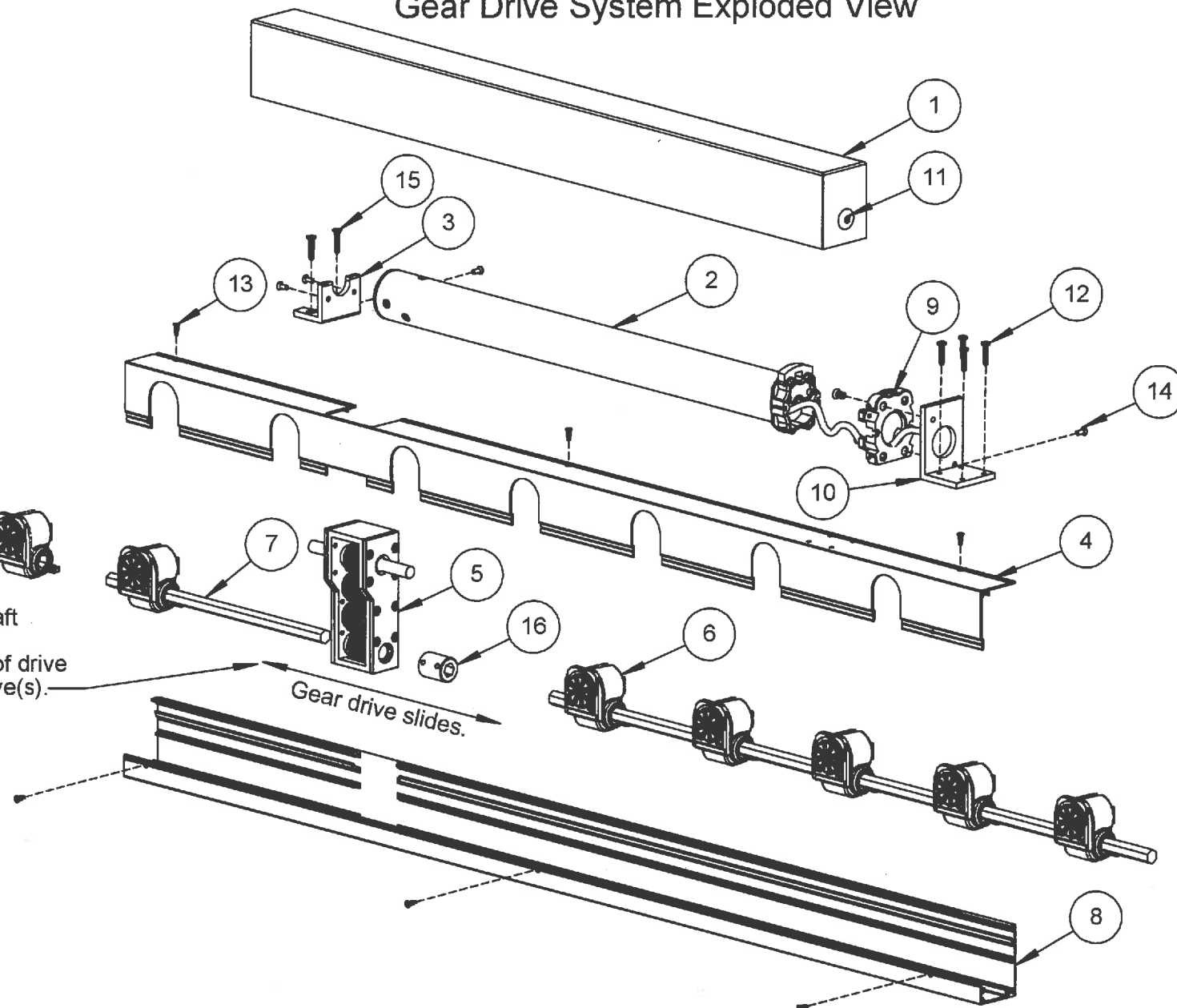
Front Showing Drive Frame Only



Gear drive must be attached at the joining point of two drive shaft lengths. All spiral pivot systems must have at least two lengths of drive shaft joined next to the gear drive(s).



Gear Drive System Exploded View



Item Number	Description
1	Motor Cover
2	Motor Assembly: Tube, Plug Motor
3	Gear Drive Bracket
4	Notched Angle
5	Gear Drive
6	Drive Bearing
7	Drive Shaft
8	Drive Frame
9	Modified Zamack Bracket
10	LT50 Motor Bracket
11	Motor Cover Cable Seal

Item Number	Description
12	8g x 12 Pan Head SS 4 x Per Bracket
13	8-32 x 12 Self Drilling Csnk SS @ 500mm Centres & Max 50mm From Angle Ends
14	M4 x 8 Csnk SS 2 x For Motor Cover
15	10g x 20 Pan Head SS 2 x For Motor Bracket
16	Drive Shaft Joiner, incl screws

DRAWN IN THIRD ANGLE PROJECTION	SHEET SIZE	File Name	2.35 - Sun Louvre Systems - Gear drive type 3 milling details - Assembly detail
	REVISION	Scale	As Stated
		Last Saved	Monday, 11 May 2009
		Modeled By	Chad
		Drawn By	Chad



SpaceSpan Australia
1 Comserve Close
West Gosford NSW 2250



LouvreSpan Australia
1 Comserve Close
West Gosford NSW 2250