



Cassette awning

## markilux MX-1 compact

A compact designer cassette awning that meets the highest architectural demands.



reddot award 2015  
winner



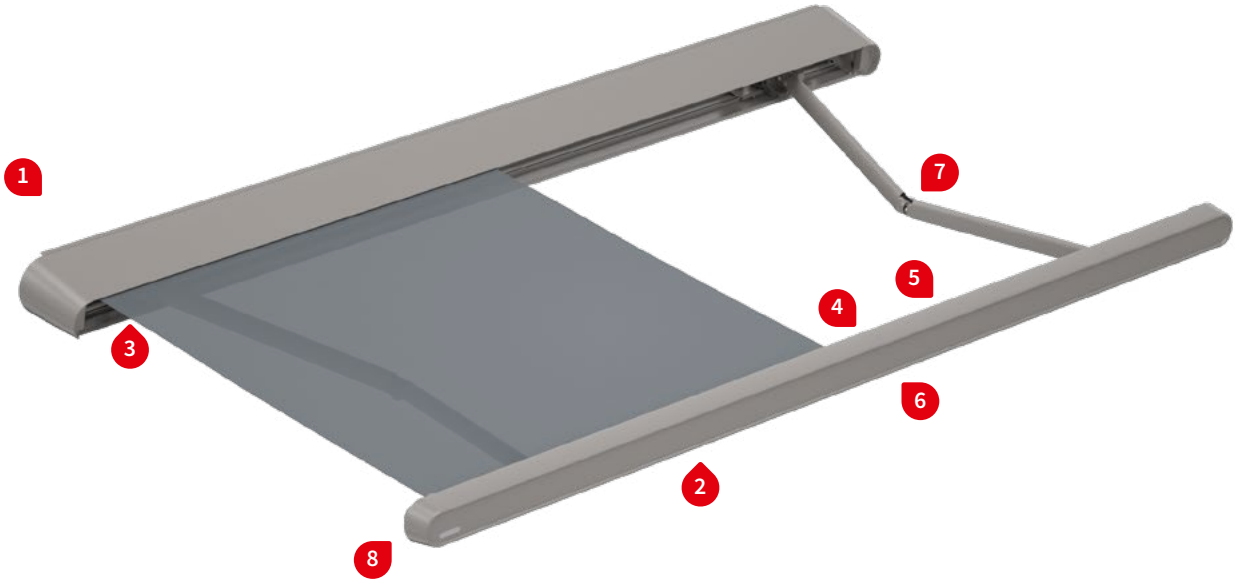
[markilux.com](http://markilux.com)

**markilux**  
safe timeless beautiful

Product characteristics

Wind resistance class 2  
 Beaufort 5 → 7.5–10.4 m/s → 28–37 km/h → 17–23 mph

01  
02  
03  
04  
05  
06  
07  
08  
09  
10  
11  
12  
13  
14  
15  
16  
17



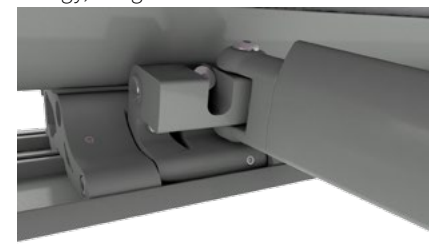
1 face fixture



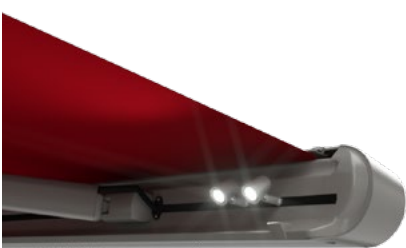
2 drop valance, during extension 1)



3 arm bearer with tilt device technology, integrated windlock mechanism



4 LED spotlights in the front profile 1)



5 LED-Line in the front profile 1)



6 LED ambient lighting in the front profile in 5 colour shades 1)



7 bionic tendon and hidden cable conduits in the arms



8 hidden gutter with lateral water spouts



1) optional configuration

## Product characteristics

### Description

- full cassette awning with harmoniously crafted features and a multitude of accessory options that provide both light and shade.

### Special features

- radio-controlled motor io as standard
- option of a drop valance up to a projection of 365 cm – vertical protection against low-lying sun, wind and inquisitive glances integrated into the front profile, can be operated by radio remote control
- lighting options can be combined with one another: directional LED spotlights or an LED light tube in the front profile, LED ambient lighting behind the front panel – provide lighting options to create an appealing atmosphere in the evening
- various front panel colours can be combined with the standard awning frame colours
- option of a silentec motor – motor noise is appreciably reduced
- the tilt device technology with integrated windlock mechanism functioning as arm bearers ensures the awning closes cleanly regardless of the pre-set pitch
- awning fits flat against the wall

### Dimensions

- cassette in the standard version: depth 376 mm, height 214 mm
- single unit: minimum width 201 cm at the smallest projection of 165 cm maximum width 700 cm at the largest projection of 415 cm

### Roller tube and lateral bearings

- round roller tube Ø 85 mm with keyway, galvanised steel – excellent stability, ensures near perfect cover performance even at the largest widths
- the inside of the cassette side cap functions as the bearing for the roller tube, made of rolled aluminium, powder coated

### Awning profiles

- extruded aluminium, in façade quality, powder coated
- cassette in two parts with continuous fixture keyways
- front profile with rain gutter and smooth front panel
- visible front panel made of aluminium, powder coated or of high quality perspex, transparent and dyed all the way through

### Folding arms

- profiles in extruded aluminium, in façade quality powder coated
- moving parts made of drop-forged aluminium – the arms are therefore extremely fracture resistant
- pivot bolts in stainless steel run in Teflon-coated bronze bushes – practically maintenance free, virtually silent and extremely hard-wearing
- power transference via the innovative bionic tendon at the elbow joint, made of high tensile, hightech fibres – low in friction, noiseless, insensitive to corrosion and UV resistant

### Side caps

- the designer end caps for the cassette are made of high-quality plastic, powder coated
- the designer end caps for the front profile are made of high-quality plastic, powder coated, with water drainage holes

### Fixture brackets

- face fixture
- extruded aluminium, powder coated
- pitch range 5°–25°, infinitely adjustable
- spacer plates, stand-off brackets and other accessories are available

01 **Frame and front panel colours**

02 markilux frame colours without surcharge

03 traffic white RAL 9016

metallic aluminium RAL 9006

grey brown, similar to RAL 8019

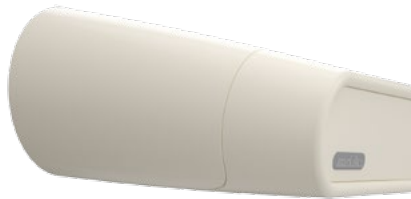


04

05 off-white textured finish, 5233 <sup>1)</sup>

06 stone grey metallic, 5215 <sup>1)</sup>

07 anthracite metallic, 5204<sup>1)</sup>



08 Havana brown textured finish, 5229 <sup>1)</sup>

**Non-standard powder-coated finish**

Bespoke frame colours at a surcharge – matt, metallic and pearl finishes as well as other colour ranges (DB, Tiger etc.) on request. All frame colours are available at a surcharge with enhanced corrosion protection.



Colours may differ slightly from those depicted in both hue and finish.

**1)** textured finish

16 **Combination Possibilities**

17 All standard or ambiente lighting front panel colours can be freely combined with the standard frame colours.



## LED ambient lighting

During the daytime, switched off  
light ivory 1015



yellow 1003



red 3003



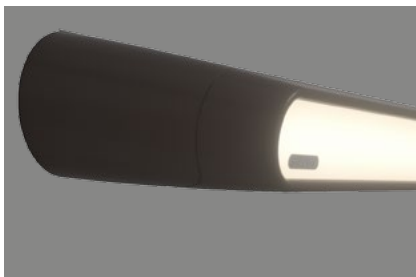
traffic white 9016



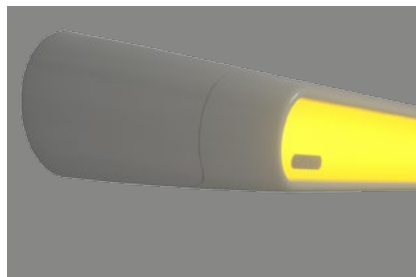
green 6018



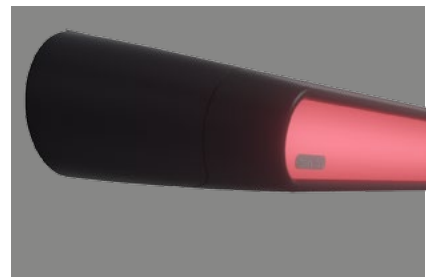
During the evening, switched on  
light ivory 1015



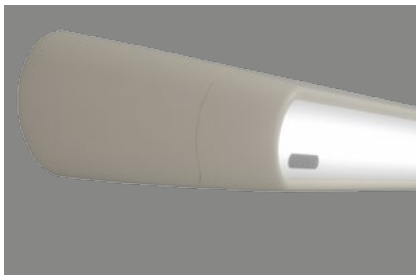
yellow 1003



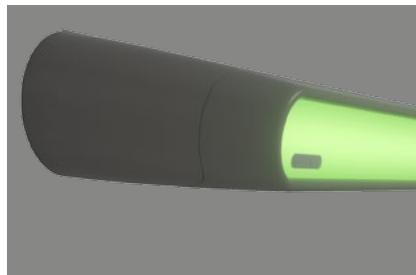
red 3003



traffic white 9016



green 6018



- 01
- 02
- 03
- 04**
- 05
- 06
- 07
- 08
- 09
- 10
- 11
- 12
- 13
- 14
- 15
- 16
- 17

Colours may differ slightly from those depicted in both hue and finish.

# Dimensions and configuration options

Single unit

		Overall awning width										Minimum width			
		250	300	350	400	450	500	550	600	650	700	Motor			
Order dimensions		203 250	251 300	301 350	351 400	401 450	451 500	501 550	551 600	601 650	651 700				
	H	165	1)										214	201	—
215		—	1)									264	251	—	—
265		—	—	1)								314	301	—	—
315		—	—	—	1)							364	351	—	—
365		—	—	—	—	1)				1)		427	414	661	648
415 <sup>2)</sup>		—	—	—	—	—	1)		—	—	1)	477	464	—	698

dimensions in cm

1) = please note the minimum widths!

2) = drop valance not available

H = extension

= 2 folding arms, 2 brackets

= 2 folding arms, 3 brackets, 1 rolltex bearing

= 3 folding arms, 4 brackets, 2 rolltex bearings

= 2 standard arms

= 2 bespoke arms (surcharge)

= 3 standard arms

= 3 bespoke arms (surcharge)

## Operation

	standard	optional
crank handle	—	—
spring-assisted crank handle	—	—
hard-wired motor	—	✓
silentec motor (optionally with an external io / RTS receiver) <sup>1)</sup>	—	✓
radio-controlled motor io, 868 MHz	✓	—
radio-controlled motor RTS, 433 MHz	—	✓
radio-controlled motor RTS, 433 MHz with manual override <sup>1)</sup>	—	—

## Coupled Awning

not available

1) for awnings with a maximum of 2 arms

## Awning cover

	fabric range no.	standard	optional
sunvas	301.. / 309..-315..	✓	—
perla	370..	—	✓
sunsilk	324.. / 325.. / 328.. / 369..	✓	—
perla FR	374.. / 375..	—	✓
perfotex	331.. / 332..	—	—
transolair	338..	—	—
vuscreen Alu	317..	—	—
Soltis Perform 92	92-20..	—	—
glass fibre screen	272..	—	—
valance <sup>1)</sup> , height 20 cm		—	✓

1) only for drop valance

## Shadeplus / drop valance

	standard	optional
height 170 cm		
max. projection 365 cm		
crank handle	—	—
hard-wired motor	—	✓
radio-controlled motor io, 868 MHz	✓	—
radio-controlled motor RTS, 433 MHz	—	✓
cover	sunvas / sunsilk / transolair / vuscreen Alu	

**Optional accessories**

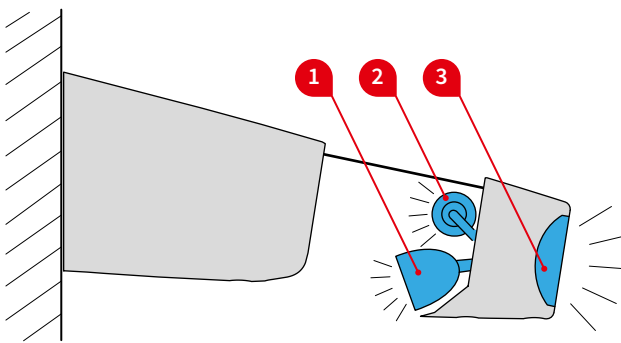
drop valance, motor operation
LED-Line <sup>1)</sup> in the front profile
LED-Spots <sup>1)</sup> in the front profile
valance
LED-ambiente lighting in the front profile
infrared heater 2000 W / 2500 W
Infrared heater 2500 W with integrated radio-controlled receiver 868 MHz io

1) LED-Line and LED-Spots cannot be combined with one another.

**N.B!** – Important background information can be found in the chapter “Optional Accessories”.

**Fixture options**

face fixture bracket 280 × 180 mm	72611.
face fixture bracket A 300 × 180 mm	72714.
spreader plate B 300 × 400 × 12 mm	75327.
stand-off bracket 80–300 mm	77970.

**Lighting options****Lighting options**

- 1) LED-Spots <sup>1)</sup> in the front profile
- 2) LED-Line <sup>1)</sup> in the front profile
- 3) LED-ambiente lighting in the front profile

1) LED-Line and LED-Spots cannot be combined with one another.

**Control**

	standard	optional
on/off switch	–	✓
radio-controlled dimmer io 868 MHz	✓	–
radio-controlled dimmer RTS 433 MHz	–	✓

**1) Technical specification LED-Spots**

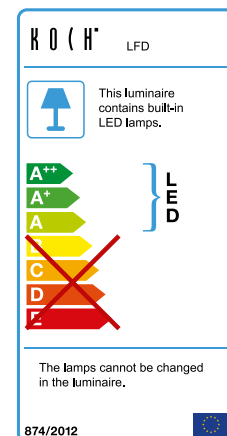
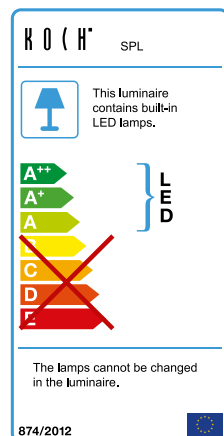
operating voltage	230 V, 50 Hz
power output of an LED spotlight	5 W
bulbs	LED (12 V)
number of transformers	1 units
light temperature	2700 K
IP protection class	IP 44
service life	approx. 20,000 h

**2) / 3) Technical specification LED-Line / ambient lighting**

operating voltage	230 V, 50 Hz
power output per metre	10 W <sup>1)</sup>
bulbs	LED (12 V)
number of LEDs	120 pieces / m <sup>2)</sup>
number of transformers	1 units
light temperature	3200 K
IP protection class	IP 44
service life	approx. 15,000 h <sup>3)</sup>

in case of LED ambient lighting from an awning width > 600 cm:

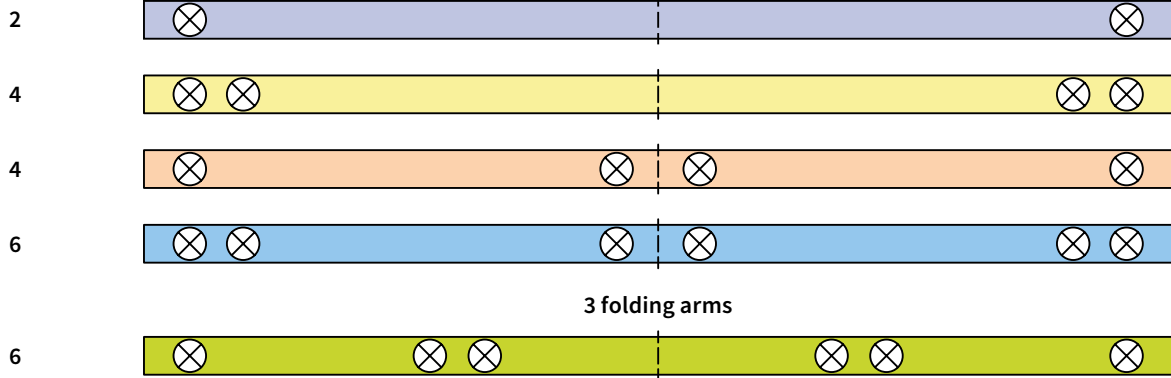
- 1) 9 W / m
- 2) 90 Stück / m
- 3) approx.. 20,000 h



1 LED spotlight in the front profile – distribution table

Number of the LED spotlights

2 folding arms



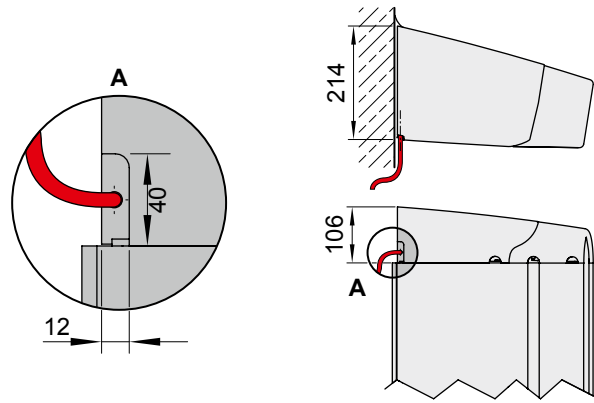
1 Number and distribution of the LED spotlights in the front profile

Overall awning width	Drop					
	165	215	265	315	365	415
228-247	2	—	—	—	—	—
248-250	4	—	—	—	—	—
251-262	—	—	—	—	—	—
263-277	4	—	—	—	—	—
278-282	4	2	—	—	—	—
283-297	6	2	—	—	—	—
298-300	6	4	—	—	—	—
301-312	—	—	—	—	—	—
313-327	4	4	—	—	—	—
328-332	4	4	2	—	—	—
333-347	6	6	2	—	—	—
348-350	6	6	4	—	—	—
351-358	—	—	—	—	—	—
359-378	4	4	4	—	—	—
379-397	6	6	6	2	—	—
398-400	6	6	6	4	—	—
401-418	4	4	4	2	—	—
419-440	6	6	6	4	—	—
441-450	6	6	6	4	2	—
451-458	4	4	4	4	2	—
459-460	6	6	6	6	2	—
461-490	6	6	6	6	4	—
491-500	6	6	6	6	4	2
501-518	4	4	4	4	4	2
519-550	6	6	6	6	6	4
551-568	4	4	4	4	4	—
569-600	6	6	6	6	6	—
601-650	6	6	6	6	—	—
651-700	6	6	6	—	—	—

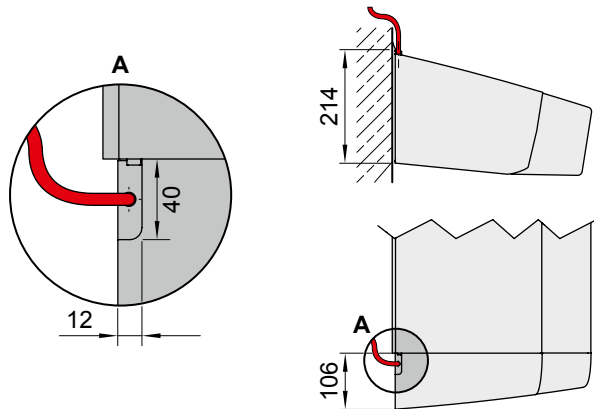
dimensions in cm



### Cable exit point at bottom (standard)



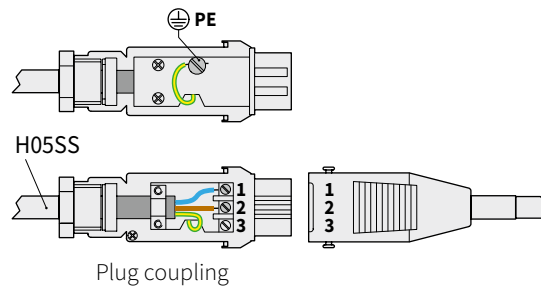
### Cable exit top, optional



measurements in mm

### Electrical connection

The awning is connected with a cable (also with optional equipment with illumination and shadeplus) via plug coupling.



3 × 1.0 mm<sup>2</sup>

1 = Neutral N (blue)

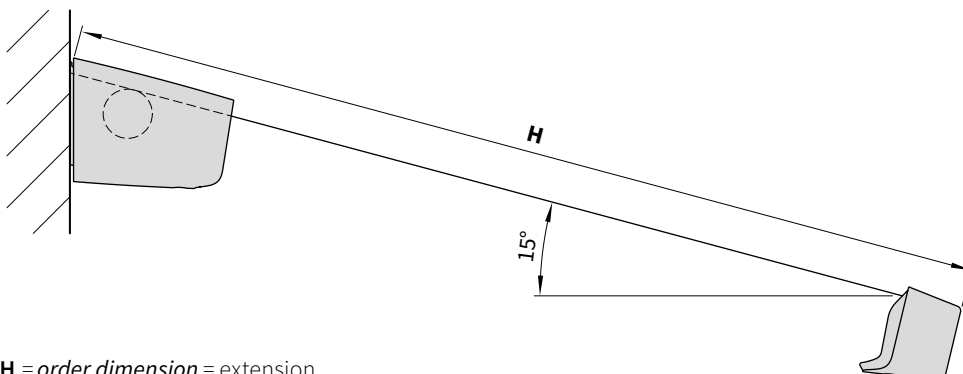
2 = Live L (brown)

3 = Free

PE = Earthing equipment  
(green / yellow)

### Definition of unit height

The nominal projection is measured with the awning extended at a pitch of approx. 15° from the back of the fixture brackets over the cover to the leading edge of the front profile. For the tolerances in the extension is + 40 / - 40 mm.

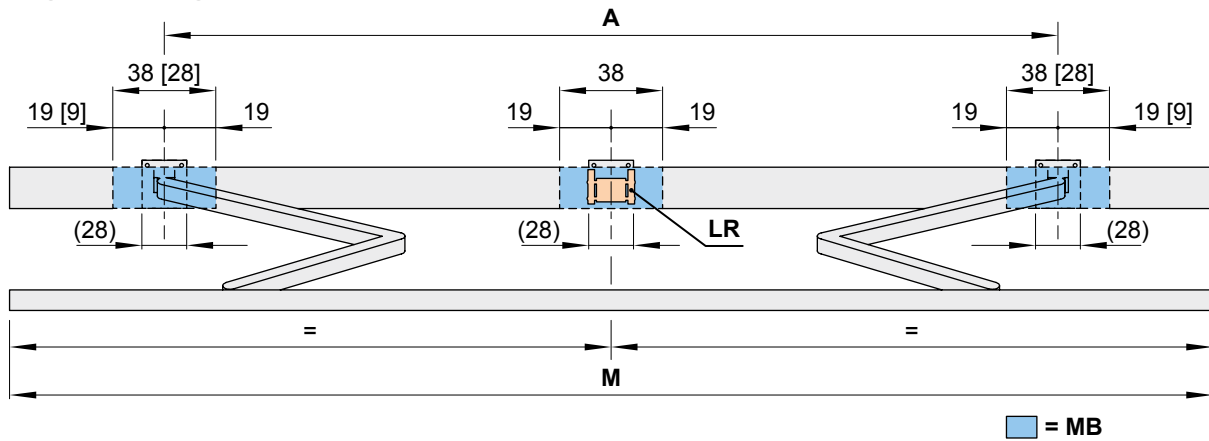


H = order dimension = extension

01  
02  
03  
**04**  
05  
06  
07  
08  
09  
10  
11  
12  
13  
14  
15  
16  
17

## Bracket fixture range

Awning with 2 folding arms



dimensions in cm

### Overall awning width

	250	300	350	400	450	500	550	600	650
Order dimensions	201 250	251 300	301 350	351 400	401 450	451 500	501 550	551 600	601 650

### Arm position A

H	BHT	Arm position A								
		165	204	254	300	340	380	440	490	510
165	169 <sup>1)</sup>	204	254	300	340	380	440	490	510	
215	—	219 <sup>1)</sup>	254	300	340	380	440	490	510	
265	—	—	269 <sup>1)</sup>	300	340	380	440	490	510	
315	—	—	—	319 <sup>1)</sup>	340	380	440	490	510	
365	—	—	—	—	382 <sup>1)</sup>	390	440	490	—	
415	—	—	—	—	—	432 <sup>1)</sup>	440	—	—	

### No. of brackets | No. of fixing points

W	BHT	No. of brackets		No. of fixing points	
28	28	2	8	3	12
BP		A 2	B 2	A 2	B 2
DP		—	—	1	—

dimensions in cm

1) Dimension A is only valid for standard arms! Dimension A is 13 cm smaller in the case of bespoke arms. Please note the minimum width! If the brackets cannot be positioned in accordance with this table, make sure the actual measurements are noted on the order form!

[...] = dimensions only apply with minimum widths

(...) = width of standard fixture brackets

A = arm position

BHT = bracket width

BP = spreader plate A or B, to be positioned behind the folding arm

DP = spacer plate 74989., to be positioned behind the rolltex bearing in the case of fixture with spreader plate A or B

H = *order dimension* = extension

LR = a rolltex bearing with accompanying bracket is always placed under a central seam (depends on the awning size)

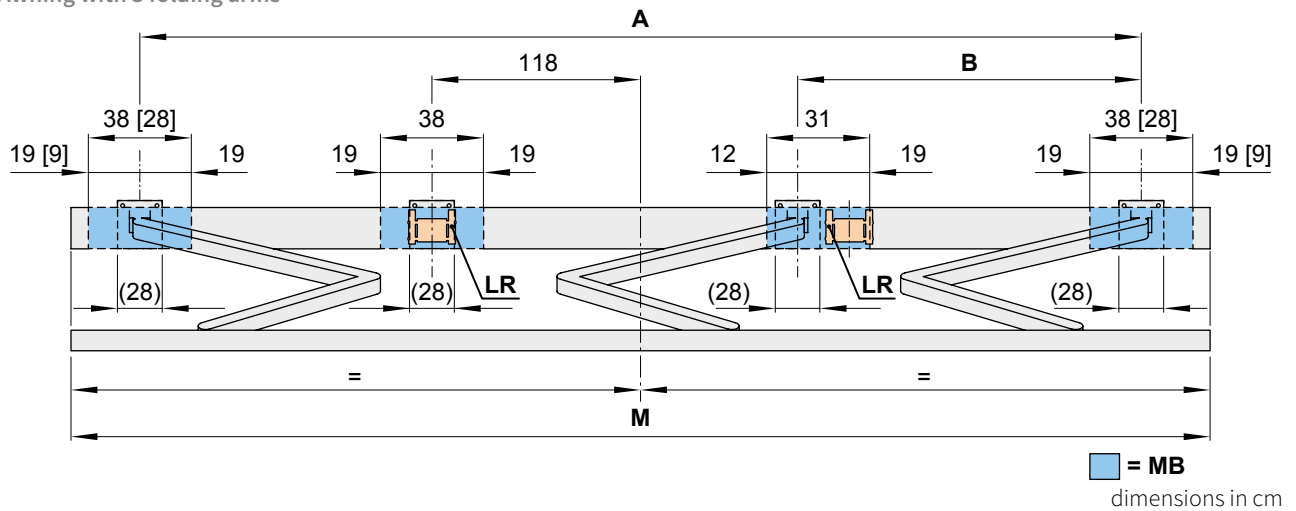
M = *order dimension* = awning width

MB = bracket fixture range

W = face fixture

## Bracket fixture range

Awning with 3 folding arms



		Overall awning width				
		650	700			
Order dimensions		648	651	675	651	661
		650	674	700	660	700

		Arm position									
		A	B	A	B	A	B	A	B	A	B
H	187	—	—	570	184	590	194	—	—	—	—
	237	—	—	570	184	590	194	—	—	—	—
	287	—	—	570	184	590	194	—	—	—	—
	337	—	—	570	184	590	194	—	—	—	—
	387	603 <sup>1)</sup>	200 <sup>1)</sup>	—	—	—	—	606 <sup>1)</sup>	202 <sup>1)</sup>	616	207
	437	—	—	—	—	—	—	—	—	653 <sup>1)</sup>	226 <sup>1)</sup>

BHT		No. of brackets   No. of fixing points	
W	28	4   16	
BP		A 3   24	B 3   12
DP		1	

dimensions in cm

1) Please note the minimum widths! If the brackets cannot be positioned in accordance with this table, make sure the actual measurements are noted on the order form!

[...] = dimensions only apply with minimum widths

(...) = width of standard fixture brackets

A = arm position

B = arm position

BHT = bracket width

BP = spreader plate A or B, to be positioned behind the folding arm

DP = spacer plate 74989., to be positioned behind the rolltex bearing in the case of fixture with spreader plate A or B

H = *order dimension* = extension

LR = a rolltex bearing with accompanying bracket is always placed under a central seam (depends on the awning size)

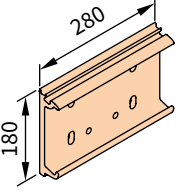
M = *order dimension* = awning width

MB = bracket fixture range

W = face fixture

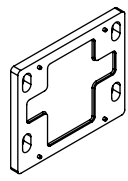
# Face fixture

## Fixtures, fittings and accessories



face fixture bracket  
280 mm

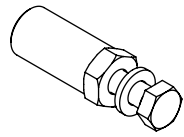
**72611.**



spacer plate for face fixture  
180 × 150 × 12 mm

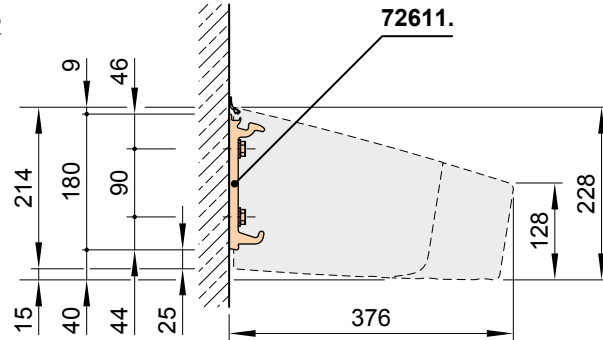
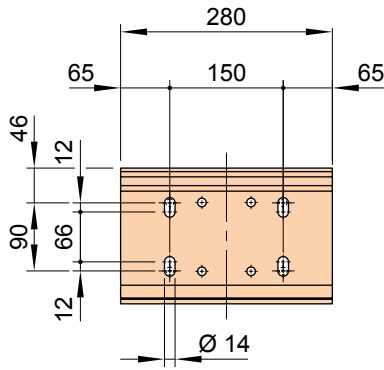
**N.B!**  
stack to a max. height of 200 mm

**74989.**



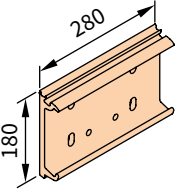
bolt reduction assembly  
pack 10 pcs

M 16 → M 12 | M 16 → M 10 | M 12 → M 10 | M 10 → M 10



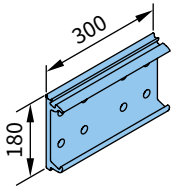
# Face fixture with wall bracket A

## Fixtures, fittings and accessories



face fixture bracket  
280 mm

**72611.**

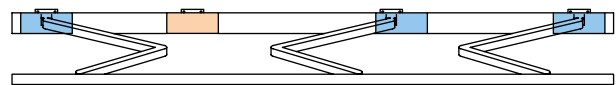
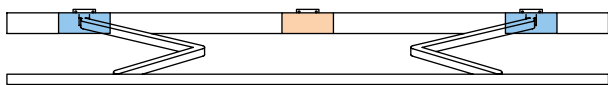


face fixture A  
8-hole  
300 mm

**72714.**

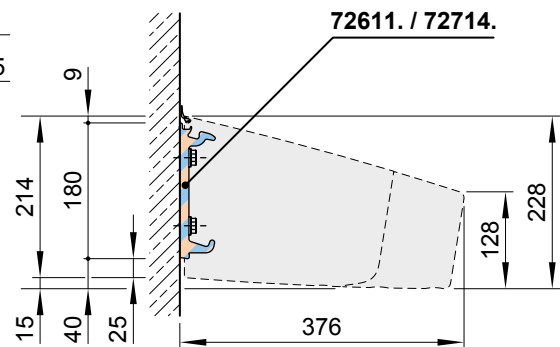
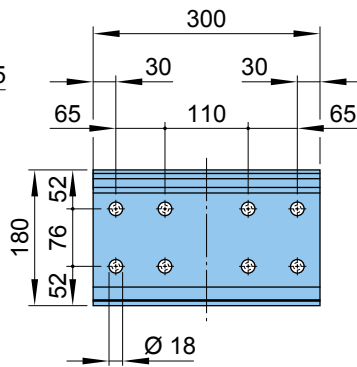
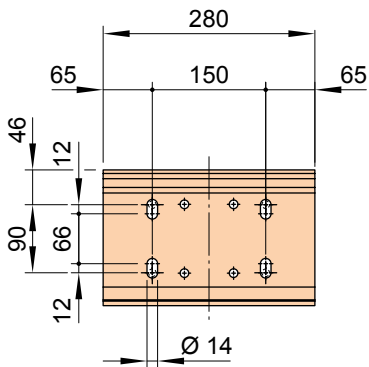
Position of face fixture brackets in the case of 2 folding arms

Position of face fixture brackets in the case of 3 folding arms



**72611.**

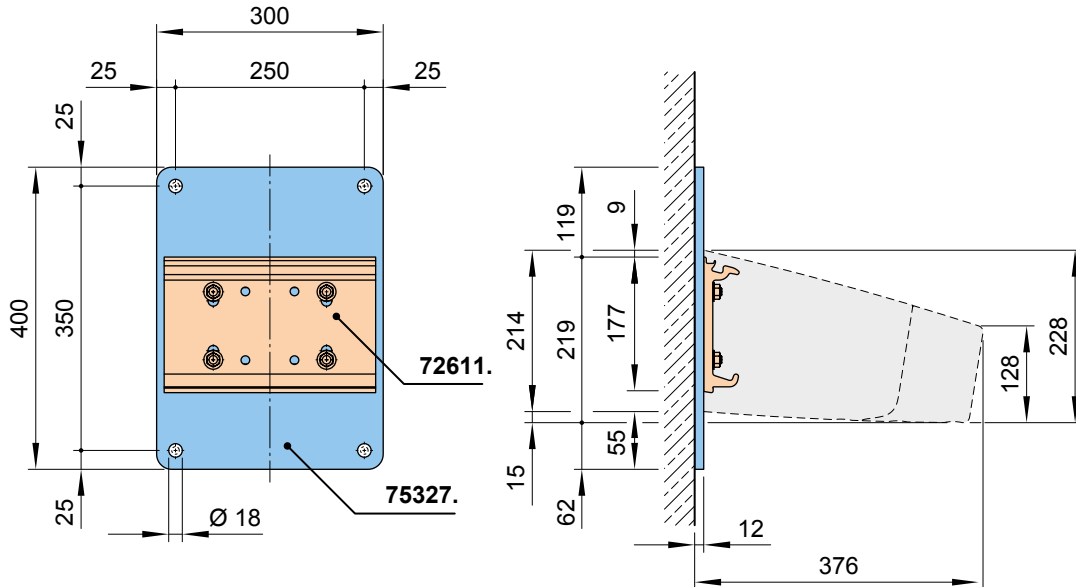
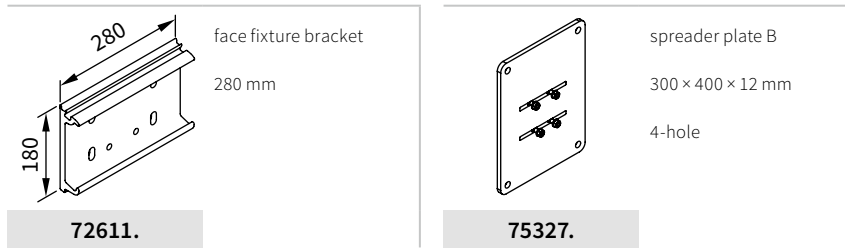
**72714.**



dimensions in mm

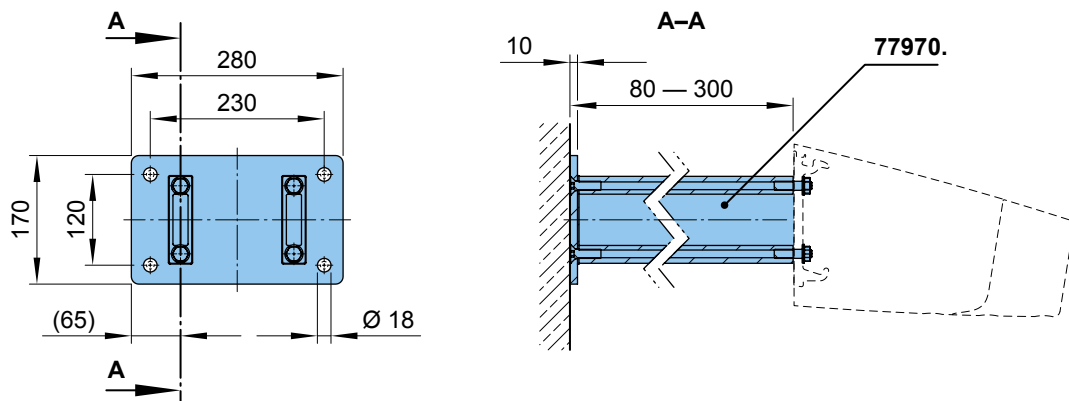
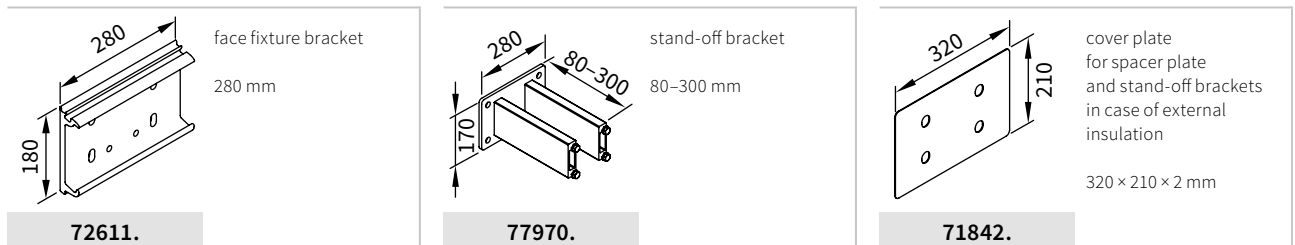
## Face fixture with spreader plate B

Fixtures, fittings and accessories



## Face fixture with stand-off bracket

Fixtures, fittings and accessories



dimensions in mm

01  
02  
03  
**04**  
05  
06  
07  
08  
09  
10  
11  
12  
13  
14  
15  
16  
17

01

02

03

**04**

05

06

07

08

09

10

11

12

13

14

15

16

17