



HM 130 00

INTERNAL MOTORISED ROLLER BLIND SYSTEM

The HM 130 00 internal motorised roller blind delivers a premium solution for over sized windows in commercial or residential interiors. The roller tube features reinforced ribbing that assists the tube in carrying the additional weight of the fabric, allowing for greater drops. The diameter of the tube also plays a significant role in reducing the amount of revolutions required to operate the blind, enabling the fabric to rotate on the tube efficiently. Ledged base bars are fitted to this system to counter balance the extra fabric weight. This system is easily integrated into automation systems for ultimate ease of use. The HM 130 00 system carries Helioscreen's 5 year warranty.

- MINIMUM WIDTH:** 800mm
- MAXIMUM WIDTH:** 5400mm
- MAXIMUM DROP:** 3800mm
- LINKABLE:** NO

BRACKETS

- 140 x 75mm fixing plate, 150mm Projection. 6mm thick powder coated aluminium

TUBE

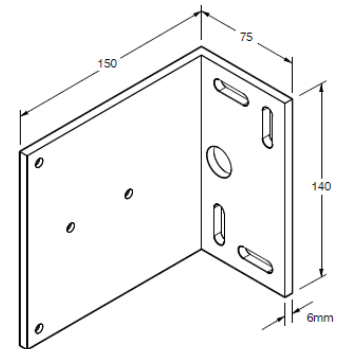
- 130mm extruded aluminium
- 3mm wall thickness

BASE BARS

- 18mm x 35mm extruded aluminium base bar Helio style
- Teardrop base bar 22 x 37 mm
- Premium 13 x 33mm
- Round 22mm

CONTROL

- Motorised with remote control from Somfy
- Operate up to 16 separate blinds on one 16 channel remote
- Connection to Building Management System optional

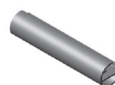


HM 130 00 mounting bracket

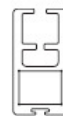
PREMIUM 33mm



22mm ROUND



HELIO



TEARDROP



Basebar Types