



Marquisolette

markilux 740/840

The vertical blind with a difference – an ideal combination of vertical blind and drop-arm blind.

01 **Product characteristics**

Wind resistance class 2

Beaufort 5 → 7.5–10.4 m/s → 28–37 km/h → 17–23 mph

02 markilux 740
side view, standard gearbox
operation

side view, motor operation ¹⁾

02 markilux 840
side view, standard
gearbox operation

side view, motor operation ¹⁾

03

04

05

06

07



08 extended view, cassette with protective profile

extended view

09

10

11

12

13

14

15

16

17

18

19



20

drop arms with stainless steel gas pistons



1) optional configuration

Product characteristics

Description

- marquisolette with angled guide rails tensioned by gas piston technology – for areas up to 9 m².

Special features

- fully encompassing cassette that protects the cover perfectly
- compact cassette profile that lends an attractive appearance to the unit
- markilux 740 as standard with protective profile – when closed, it lends the blind a finished appearance
- height of the vertically shaded section can be individually set (depends on the overall height)
- fixture directly through the angled rails – the cassette is positioned right against the wall
- optimum cover tension provided by drop arms that use high-grade stainless steel gas pistons
- can be used safely even in light wind as the arms lock in place in the angled rails when in the lowered position

Dimensions

- single unit: 74 cm – 300 cm in width, maximum height 300 cm
- maximum width × height: 300 cm × 300 cm
- intermediate sizes are available

Roller tube and lateral bearings

- round roller tube Ø 63 mm with keyway, galvanised steel
- the roller tube bearing is made of stainless steel

Blind profiles

- extruded aluminium, in façade quality, powder coated
- markilux 740: cassette profile in one piece, square, height × depth 95 mm × 95 mm
- markilux 840: cassette profile in two pieces, round tear-shaped, Ø 115 mm
- angled guide rails, width × depth 30 mm × 49 mm
- front profile round, Ø 32 mm

Drop arms

- angled profile 32 × 30 mm, attractively rounded, extruded aluminium, powder coated
- arm length 60 cm, maximum angle of drop 120°
- excellent tension provided by marine grade stainless steel gas pistons, pressure 400 N

Side caps

markilux 740:

- the cassette end caps are made of high-quality plastic, powder coated
- the guide rail end caps are made of high-quality plastic, powder coated
- the front profile end caps are made of die-cast aluminium, powder coated

markilux 840:

- the cassette end caps are made of high-quality plastic, powder coated
- the guide rail end caps are made of high-quality plastic, powder coated
- the front profile end caps are made of die-cast aluminium, powder coated

Fixture brackets

- self-supporting cassette attached to the top of the angled guide rails
- without brackets, fixture directly through the angled guide rails, face or reveal fixture
- face or reveal fixture

01 **Frame colours**

02 markilux blind colours without surcharge

03 traffic white RAL 9016



04 metallic aluminium RAL 9006



05 grey brown, similar to RAL 8019

06 off-white textured finish, 5233 ¹⁾07 stone grey metallic, 5215 ¹⁾08 anthracite metallic, 5204 ¹⁾

12

13 Havana brown textured finish, 5229 ¹⁾**Non-standard powder-coated finish**

Bespoke frame colours at a surcharge – matt, metallic and pearl finishes as well as other colour ranges (DB, Tiger etc.) on request. All frame colours are available at a surcharge with enhanced corrosion protection.

¹⁾ textured finish

Colours may differ slightly from those depicted in both hue and finish.

Dimensions and configuration options

Single unit

		Overall blind width					Minimum width	
		100	150	200	250	300	Hard-wired motor	Radio-contr. motor
Order dimensions		50	101	151	201	251	75	74
		100	150	200	250	300		
AH	120						75	74
	160							
	200							
	250							
	300							

dimensions in cm

AH = unit height

Operation

	standard	optional
crank handle, on the outside	✓	—
crank handle, operation from the rear	—	✓
crank handle, interior operation	—	✓
hard-wired motor	—	✓
radio-controlled motor io, 868 MHz	—	✓
radio-controlled motor RTS, 433 MHz	—	✓

Coupled Blind

not available

Optional accessories

automatic controls (light, wind, rain)

N.B! – Important background information can be found in the chapter “Optional Accessories”.

Blind cover	fabric range no.	standard	optional	model	overall blind width	unit height	cover manuf.
sunvas	301.. / 309..-315..	✓	—	740 / 840			LN
sunsilk	324.. / 325.. / 328.. / 369..	✓	—	740 / 840			LN
perfotex	331.. / 332..	✓	—	740		≤ 250	LN
				840			LN
sunvas (250 cm)	31008, -09, -13, -16, -18, -25, -27, -28, -31, -36, -37, -57, -58, 31109, -14, -17	✓	—	740 / 840	≤ 250		N
transolair	338..	—	✓	740 / 840	≥ 251	≤ 230	N
				740 / 840	≥ 251	≥ 231	QN
sunvas (320 cm)	31008, -09	✓	—	740 / 840			N
				740	≤ 250	≤ 250	N
vuscreen Alu	317..	—	✓	740	≥ 251	≤ 230	QN
				840	≤ 250	≥ 231 ≤ 250	N
				840	≥ 251	≤ 230	N
				840	≥ 251	≥ 231	QN
				840	≥ 251	≥ 231	QN
Soltis Perform 92	92-20..	—	—	—			
perla	370..	—	—	—			
perla FR	374.. / 375..	—	—	—			

dimensions in cm

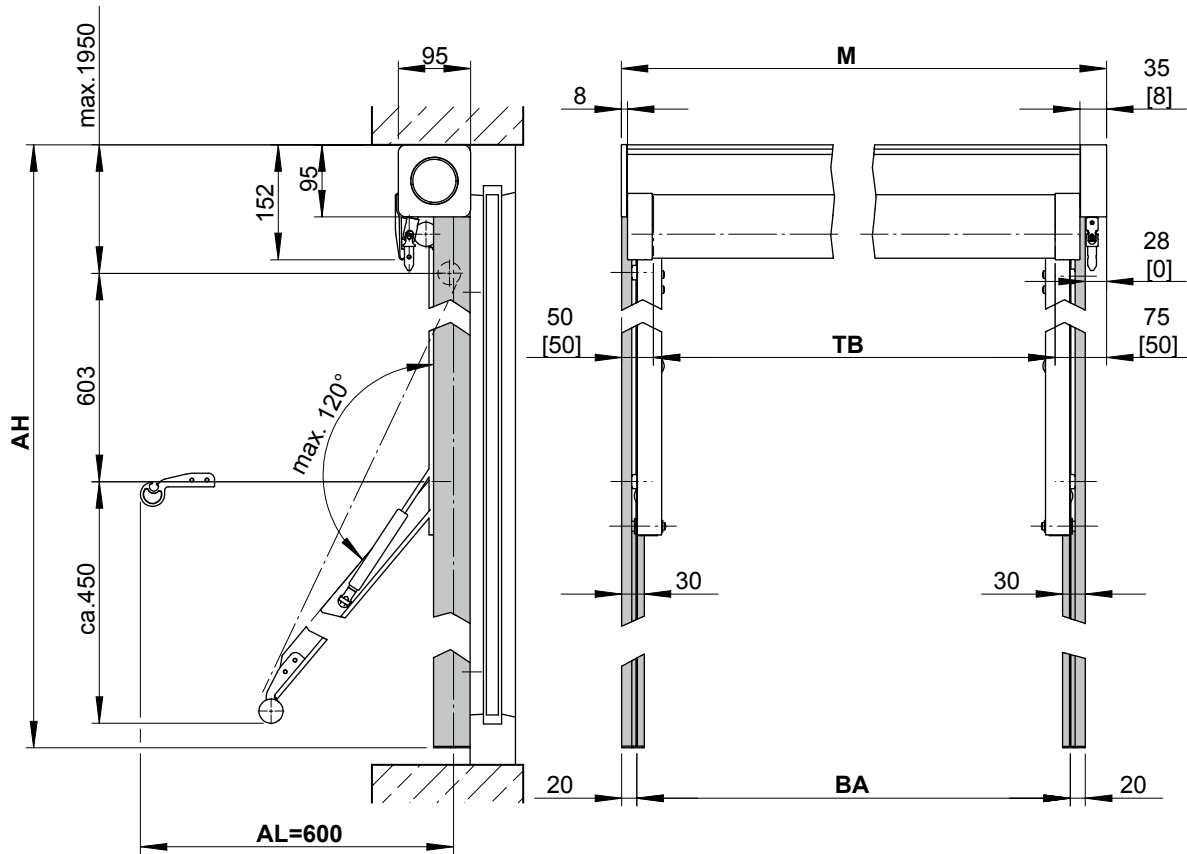
N = seamless

LN = vertical seam(s), panel width usually 120 cm

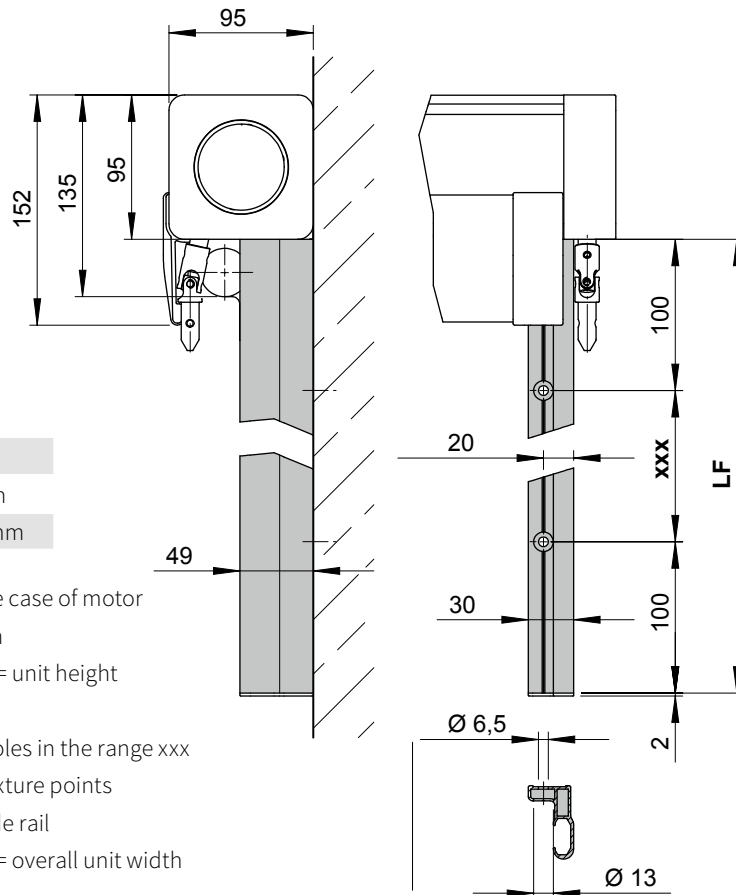
QN = horizontal seam(s)

markilux 740

Dimension overview



Face fixture



ABO xxx	LF
2	1-1500 mm
3	1501-3000 mm

[...] = dimensions in the case of motor interior operation

AH = *order dimension* = unit height

AL = arm length

ABO = number of drill holes in the range xxx

BA = width between fixture points

LF = length of the guide rail

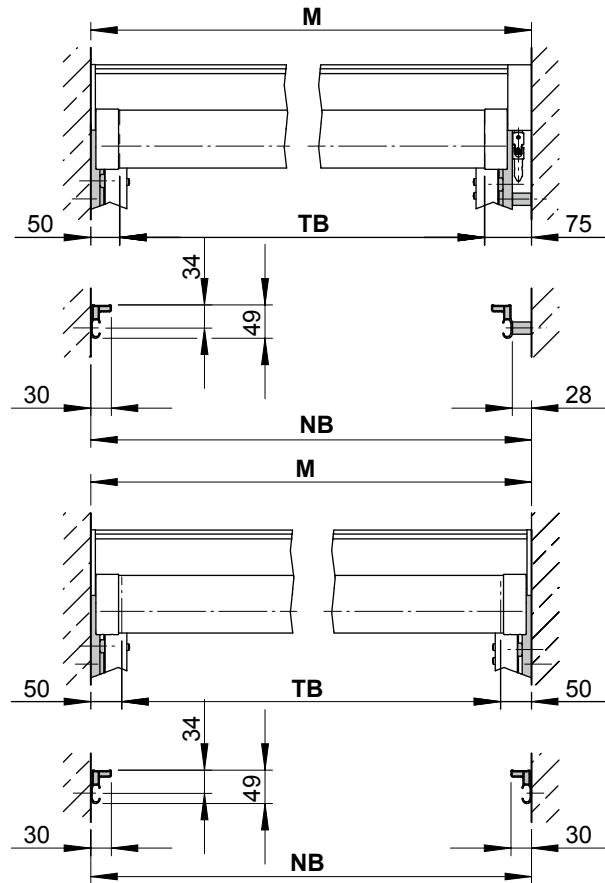
M = *order dimension* = overall unit width

TB = cover width

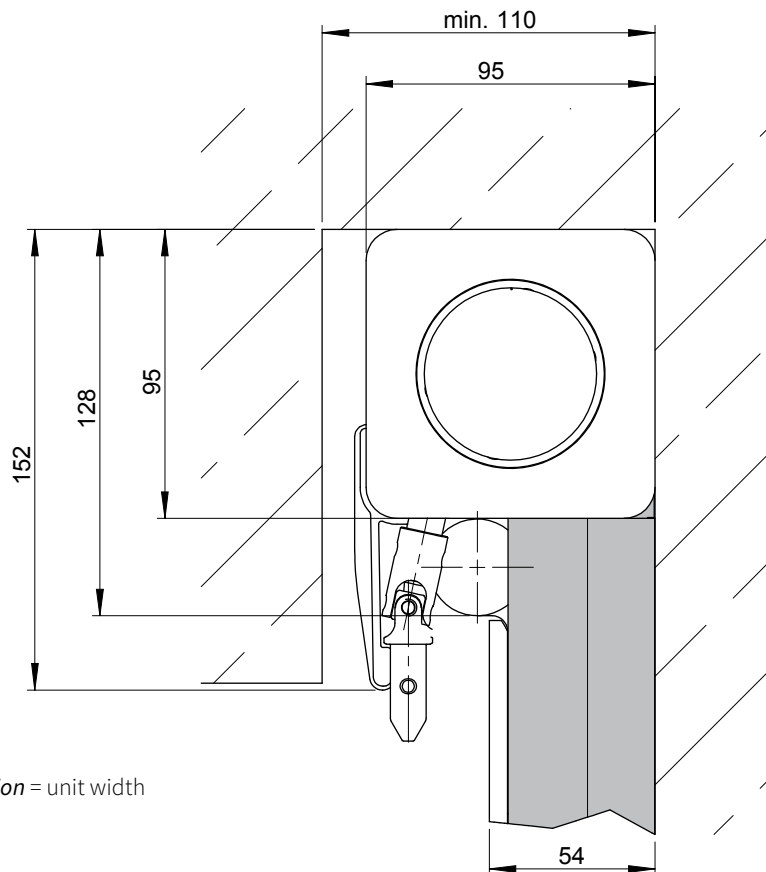
dimensions in mm

markilux 740

Reveal fixture, gearbox / motor operation



Reveal fixture in a top window well, manual operation



- M** = *order dimension* = unit width
- NB** = reveal width
- TB** = cover width

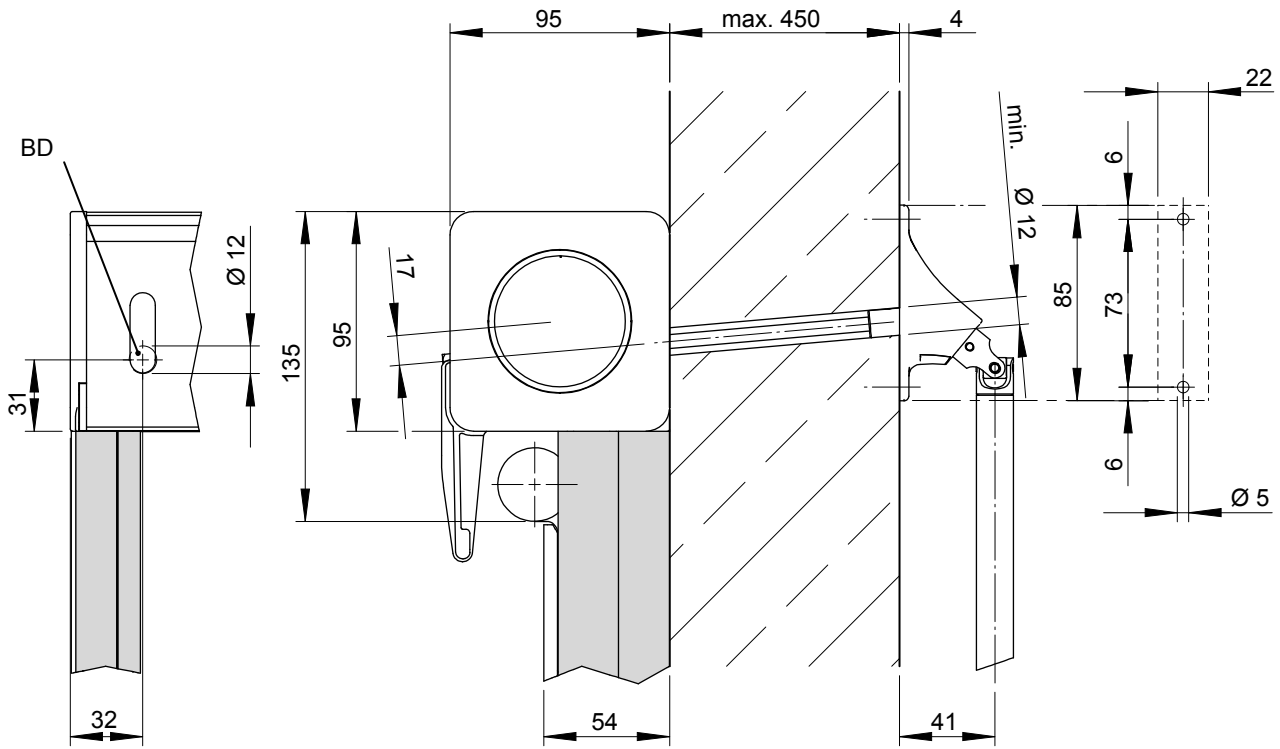
dimensions in mm

01
02
03
04
05
06
07
08
09
10
11
12
13
14
15
16
17
18
19
20

01
02
03
04
05
06
07
08
09
10
11

markilux 740

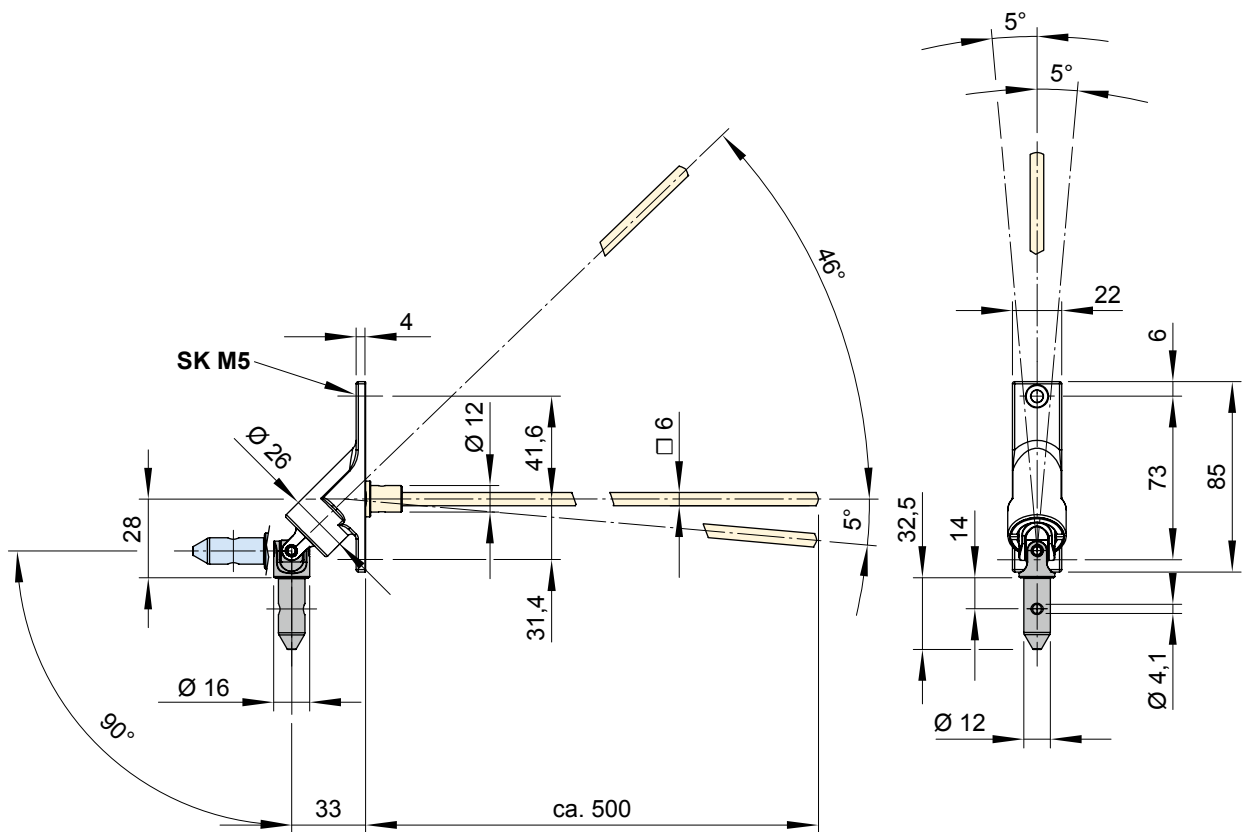
Face fixture, manual operation from inside the building



12

13
14
15
16
17
18
19
20

Handle for interior operation

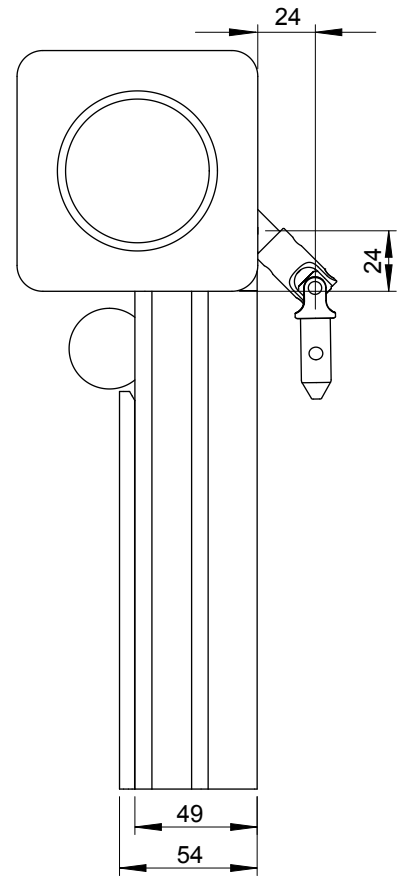
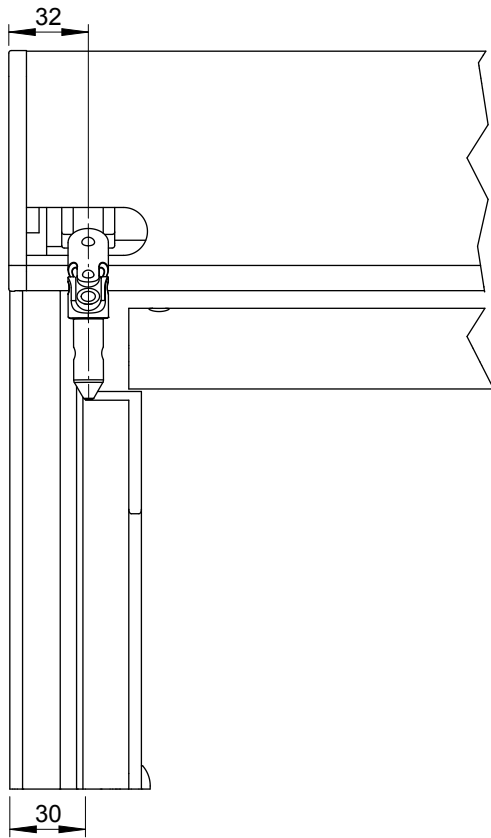


- BD = horizontal drill hole
- SK = countersunk screw hole M5

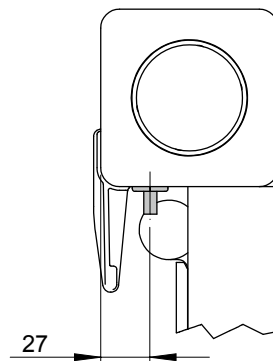
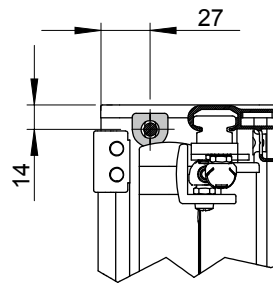
dimensions in mm

markilux 740

Crank handle, operation from the rear



Motor cable exit point



dimensions in mm

01

02

03

04

05

06

07

08

09

10

11

12

13

14

15

16

17

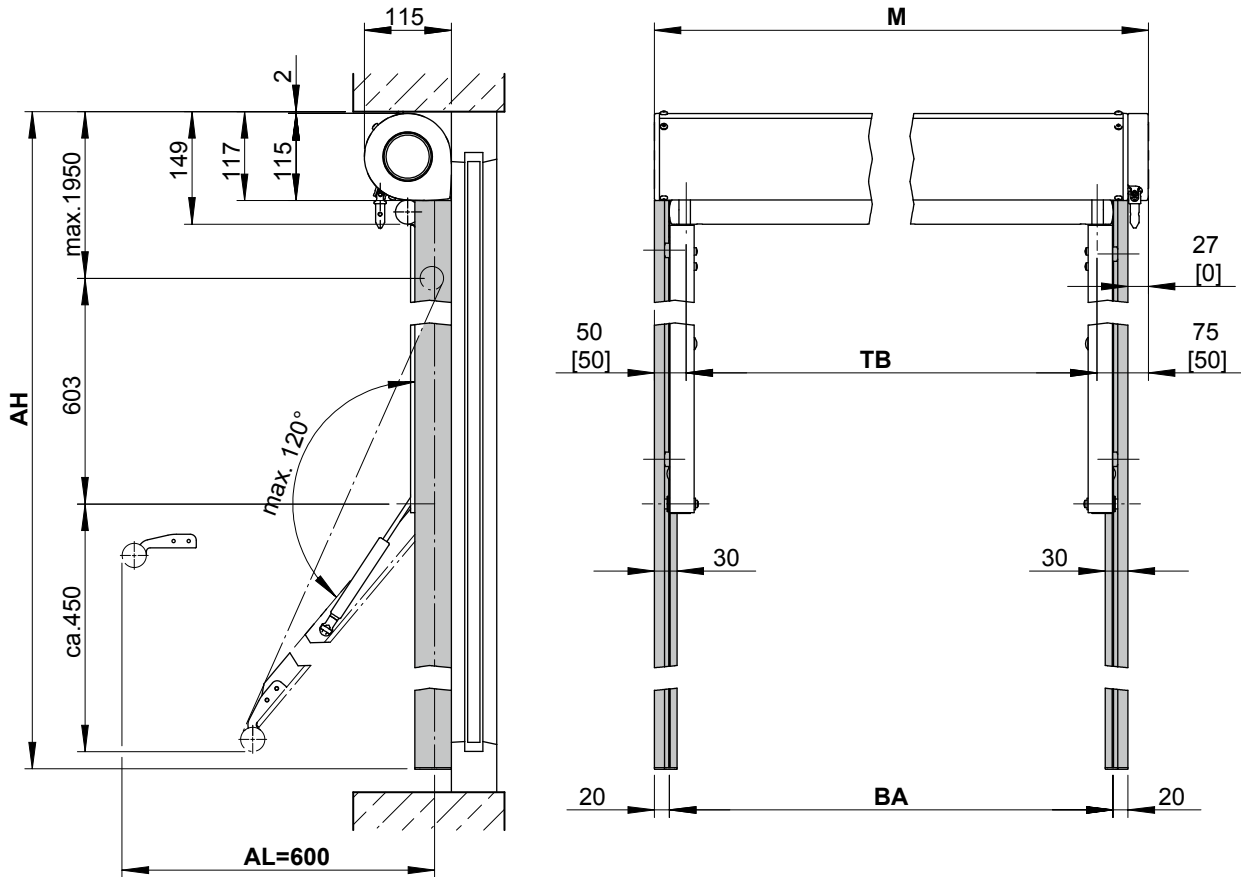
18

19

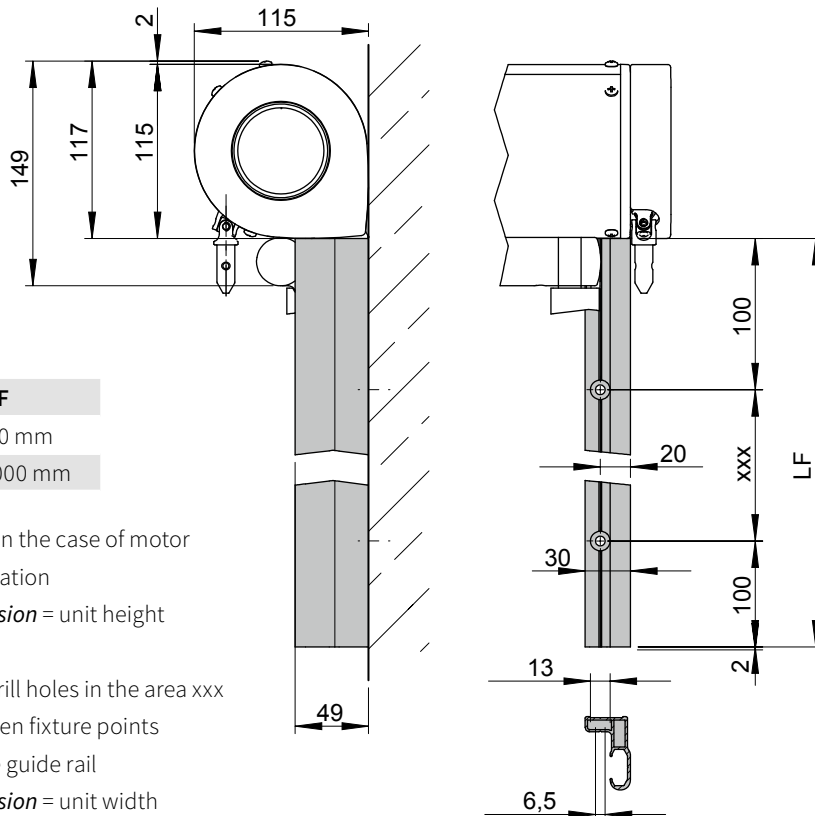
20

markilux 840

Dimension overview



Face fixture



ABO xxx	LF
2	1-1500 mm
3	1501-3000 mm

[...] = dimensions in the case of motor interior operation

AH = *order dimension* = unit height

AL = arm length

ABO = number of drill holes in the area xxx

BA = width between fixture points

LF = length of the guide rail

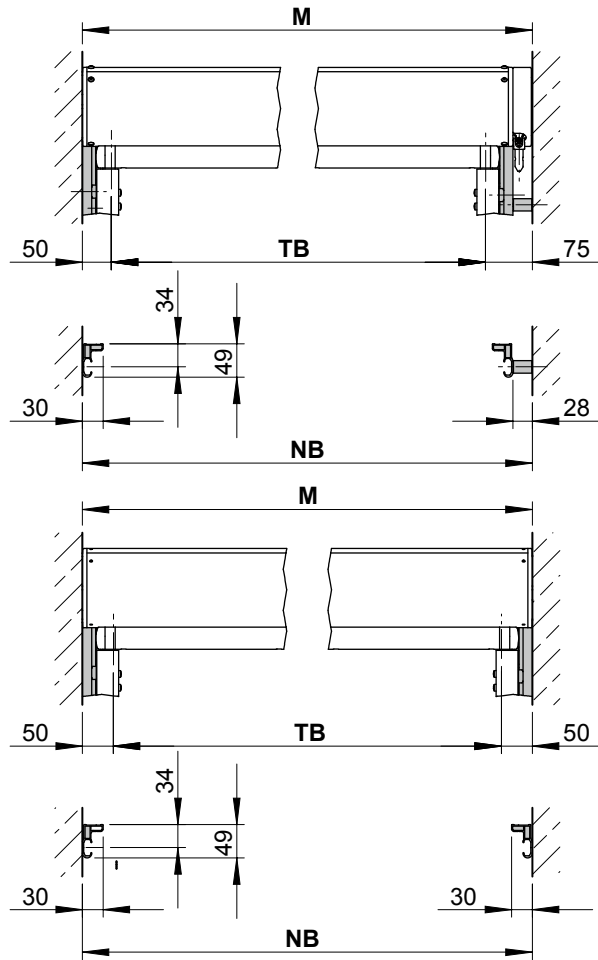
M = *order dimension* = unit width

TB = cover width

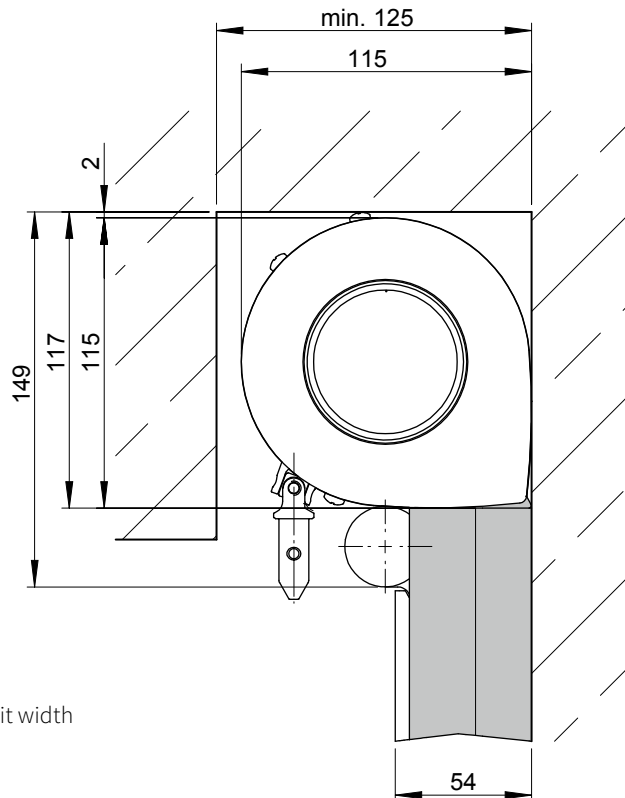
dimensions in mm

markilux 840

Reveal fixture, gearbox / motor operation



Reveal fixture in a window well, manual operation



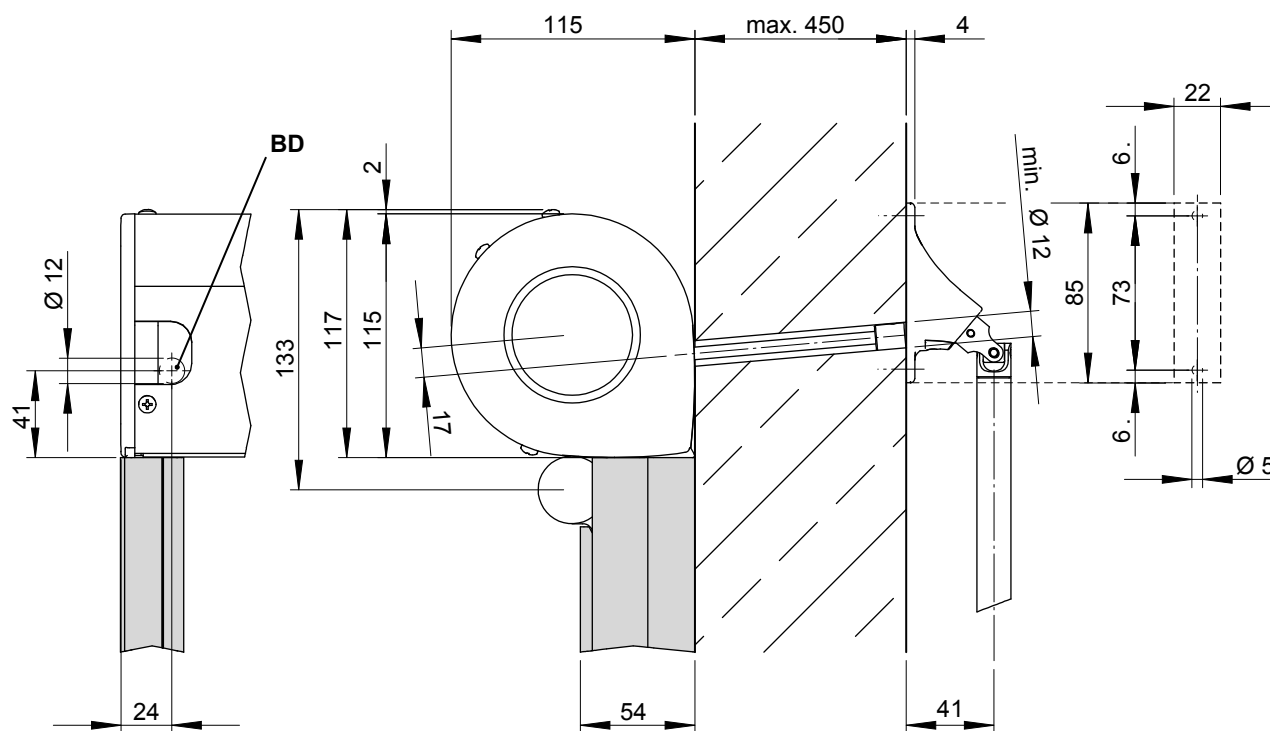
- M** = order dimension = unit width
- NB** = reveal width
- TB** = cover width

dimensions in mm

01
02
03
04
05
06
07
08
09
10
11
12
13
14
15
16
17
18
19
20

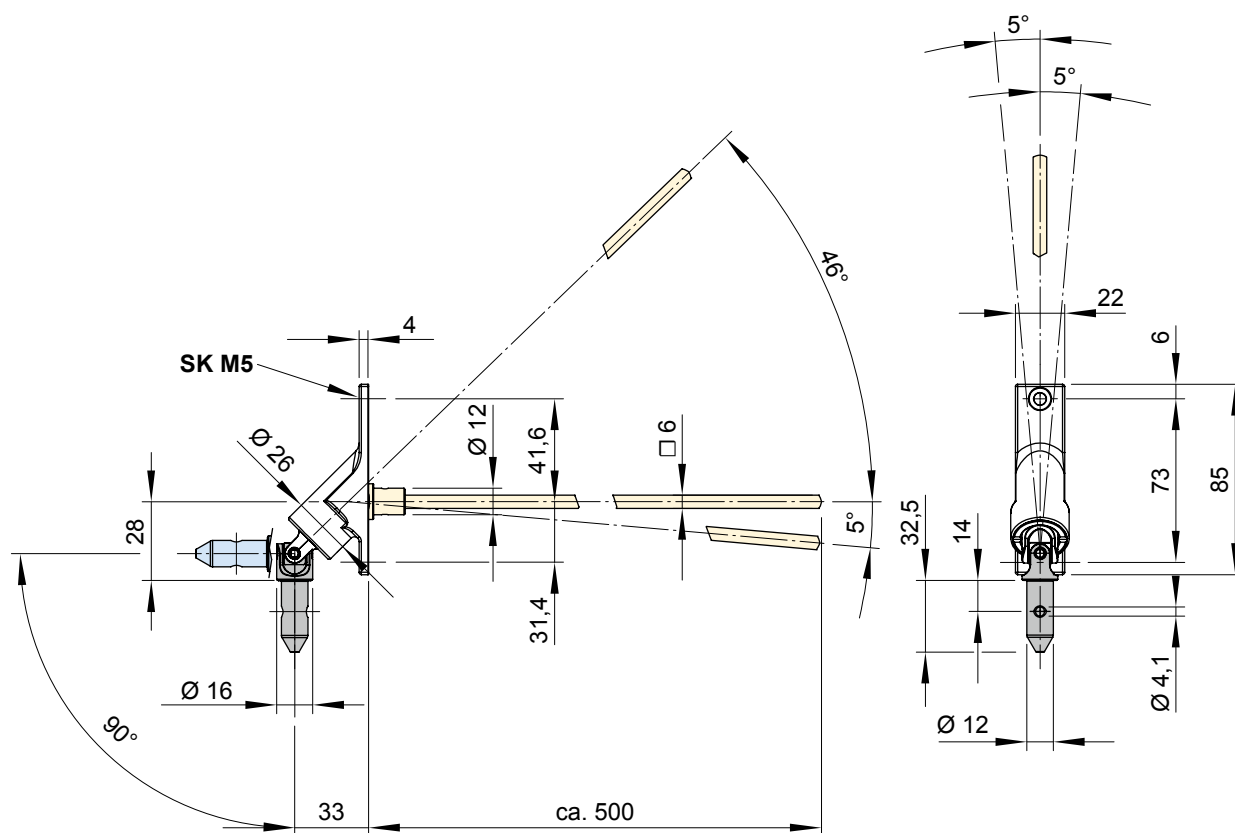
markilux 840

Face fixture, manual operation with interior operation



12

Hinge bearing interior operation

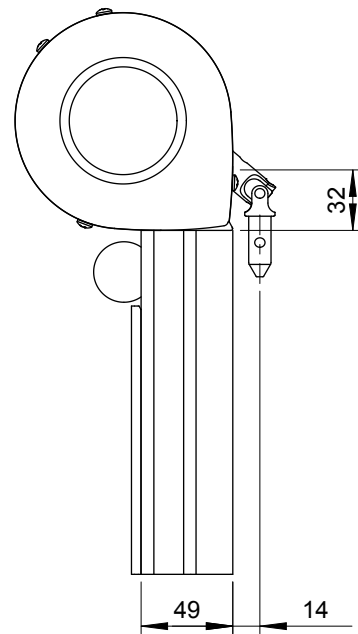
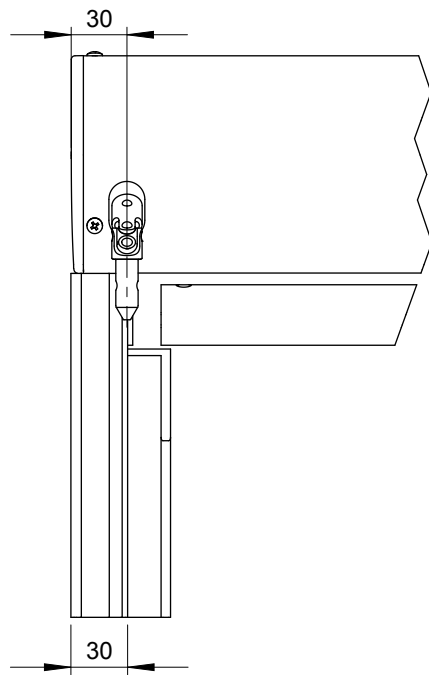


- BD = horizontal drill hole
- SK = countersunk screw hole M5

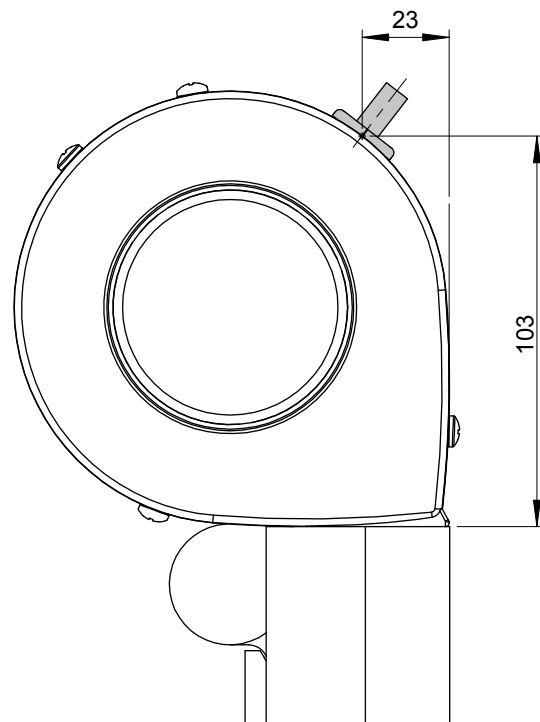
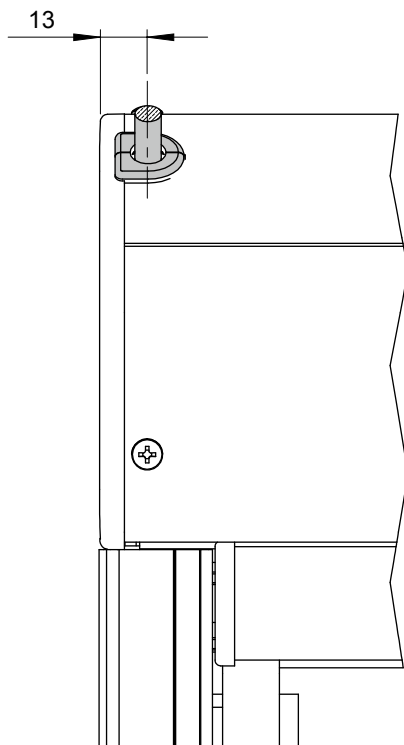
dimensions in mm

markilux 840

Crank handle, operation from the rear



Motor cable exit point



dimensions in mm

01
02
03
04
05
06
07
08
09
10
11
12
13
14
15
16
17
18
19
20

01

02

03

04

05

06

07

08

09

10

11

12

13

14

15

16

17

18

19

20