



Semi-cassette awning

## **markilux 1600**

The awning with excellent design features and well-thought-out mechanics.



product  
design award

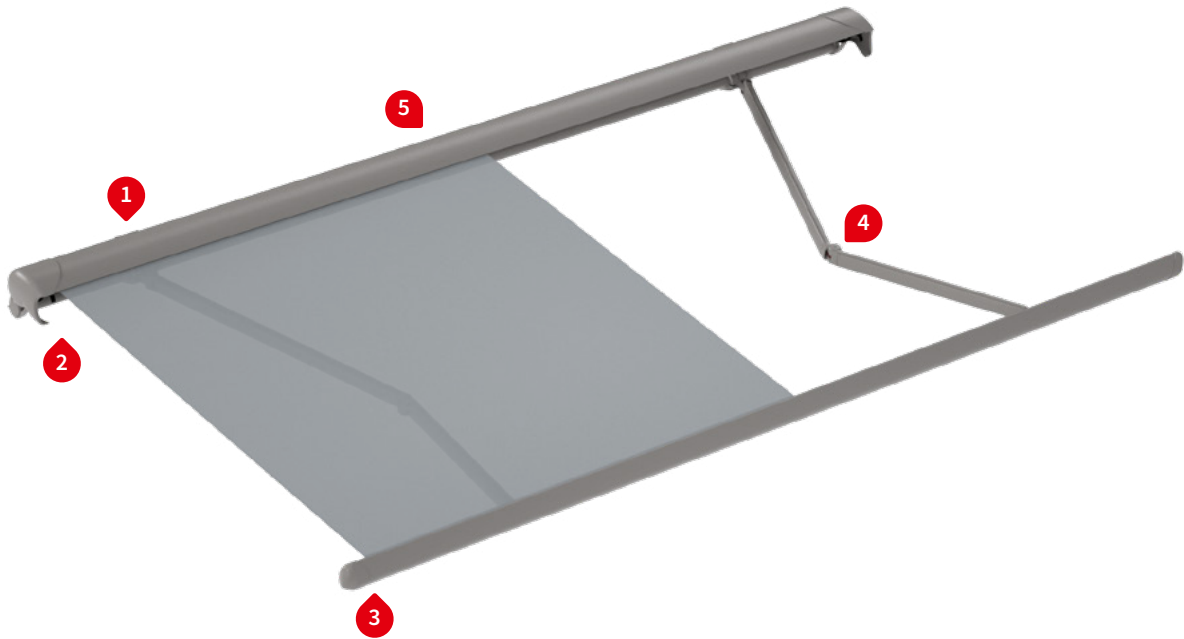
[markilux.com](http://markilux.com)

***markilux***

safe timeless beautiful

Product characteristics

Wind resistance class 2  
Beaufort 5 → 7.5–10.4 m/s → 28–37 km/h → 17–23 mph

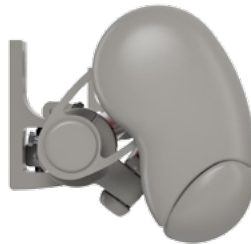


11

1 face fixture



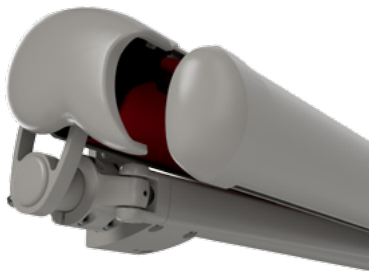
1 face fixture, maximum pitch of 50°



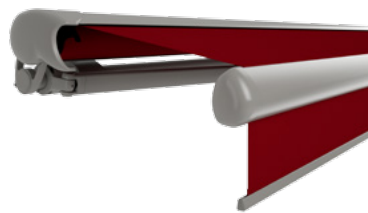
1 top fixture



2 retraction phase, coverboard adapts automatically to the awning pitch



3 drop valance, during extension 1)



4 twin steel-link chain, corrosion protected



4 bionic tendon made of high-tech fibres for optimum power transference 1)



5 wall sealing profile, up to a pitch of 15° 1)



1) optional configuration

## Product characteristics

### Description

- the folding-arm awning with exceptional, organic design characteristics and pivoting coverboard ideally suited for shading large areas.

### Special features

- the dynamically rounded coverboard gives it the appearance of a full cassette awning
- during the closing procedure, the coverboard tilts automatically down to meet the given pitch of the awning and together with the front profile encloses the roller tube completely (the awning is open underneath)
- coverboard with integrated brush so that debris does not get dragged into the awning as it closes
- option of a drop valance up to a projection of 350 cm – vertical protection against low-lying sun, wind and inquisitive glances integrated into the front profile, can be operated manually or by motor
- awning with an extremely torsion-resistant, round torque bar which gives a certain degree of flexibility when choosing the fixture points

### Dimensions

- cassette in the standard version: depth 254 mm, height 223 mm
- single unit: minimum width 174 cm at the smallest projection of 150 cm maximum width 710 cm at the largest projection of 400 cm
- also available as a coupled unit

### Roller tube and lateral arm bearers

- round roller tube Ø 85 mm with keyway, galvanised steel – excellent stability, ensures near perfect cover performance even at the largest widths
- the roller tube support bracket is made of extruded aluminium, powder coated, visually masked by the coverboard end cap

### Awning profiles

- extruded aluminium, in façade quality, powder coated
- oval, single-piece coverboard, pre-fitted, enclosing the awning from behind and above
- semi-circular front profile incorporated into the coverboard during closing
- round torque bar Ø 50 mm, galvanised both inside and out, powder coated

### Folding arms

- profiles in extruded aluminium, in façade quality, powder coated
- moving parts made of drop-forged aluminium – the arms are therefore extremely fracture resistant
- pivot bolts in stainless steel run in Teflon-coated bronze bushes – practically maintenance free, virtually silent and extremely hard-wearing
- power transference via corrosion-protected twin steel-link chains at the elbow joint, optionally with innovative bionic tendon made of high tensile, high-tech fibres – low in friction, noiseless, insensitive to corrosion and UV resistant

### Side caps

- the coverboard end caps are made of high-quality plastic, powder coated
- the front profile and torque bar end caps are made of high-quality plastic, powder coated or in polished chrome

### Fixture brackets

- face fixture, top fixture, eaves fixture
- extruded aluminium, powder coated
- pitch range 5°–50°, infinitely adjustable
- spacer plates, stand-off brackets and other accessories are available

01 **Frame and end cap colours**

markilux frame colours without surcharge

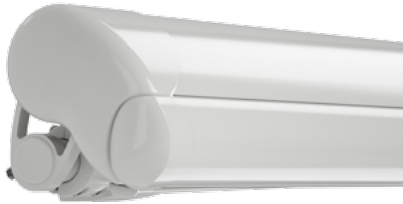
02

traffic white RAL 9016

metallic aluminium RAL 9006

grey brown, similar to RAL 8019

03



04

05

06

07

off-white textured finish, 5233 <sup>1)</sup>

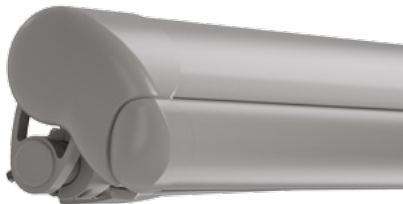
stone grey metallic, 5215 <sup>1)</sup>

anthracite metallic, 5204 <sup>1)</sup>

08

09

10



**11**

Havana brown textured finish, 5229 <sup>1)</sup>

12

13

14

15



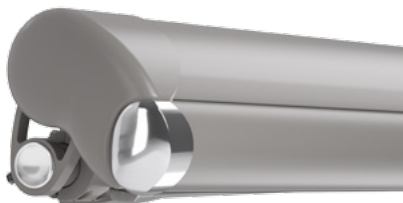
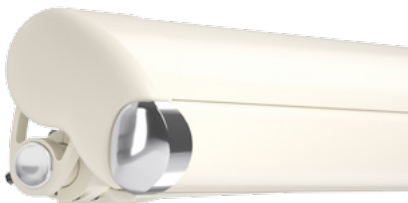
16

17

off-white textured finish, 5233 <sup>1)</sup> front profile and torque bar end cap in polished chrome

stone grey metallic, 5215 <sup>1)</sup> front profile and torque bar end cap in polished chrome

anthracite metallic, 5204 <sup>1)</sup> front profile and torque bar end cap in polished chrome



Combination options – possible in any frame colour.

**Non-standard powder-coated finish**

Bespoke frame colours at a surcharge – matt, metallic and pearl finishes as well as other colour ranges (DB, Tiger etc.) on request. All frame colours are available at a surcharge with enhanced corrosion protection.

<sup>1)</sup> textured finish

Colours may differ slightly from those depicted in both hue and finish.

## Dimensions and configuration options

### Single unit

	Overall awning width										Minimum width				
	260	310	360	410	460	510	560	610	660	710 <sup>2)</sup>	Motor		Crank handle		
<b>Order dimensions</b>	186 260	261 310	311 360	361 410	411 460	461 510	511 560	561 610	611 660	661 710					
<b>H</b>	<b>150</b>	<sup>3)</sup>									187	174	—	190	177
	<b>200</b>	<sup>3)</sup>									237	224	—	240	227
	<b>250</b>	—	<sup>3)</sup>								287	274	—	290	277
	<b>300</b>	—	—	<sup>3)</sup>							337	324	—	340	327
	<b>350</b>	—	—	—	<sup>3)</sup>					<sup>1) 3)</sup>	387	374	637	390	377
	<b>400<sup>1) 2)</sup></b>	—	—	—	—	<sup>3)</sup>				—	437	424	687	—	—

1) = drop valance not available

2) = only available with motor drive (surcharge)

3) = please observe the minimum widths!

H = projection

= 2 folding arms, 2 brackets

= 2 folding arms, 3 brackets

= 2 folding arms, 3 brackets, 1 rolltex bearing

= 3 folding arms, 4 brackets, 2 rolltex bearings

= 2 standard arms

= 2 bespoke arms (surcharge)

= 3 standard arms

dimensions in cm

Operation	standard	optional
manual operation	✓	—
spring-assisted crank handle	—	✓
hard-wired motor	—	✓
silentec motor (optionally with an external io / RTS receiver) <sup>1)</sup>	—	—
radio-controlled motor io, 868 MHz	—	✓
radio-controlled motor RTS, 433 MHz	—	✓
radio-controlled motor RTS, 433 MHz with manual override <sup>1)</sup>	—	✓

1) for awnings with a maximum of 2 arms

### Coupled Awning (only with motor drive)<sup>1)</sup>

2 fields, 1 motor, maximum width 1410 cm

maximum projection (depending on the width) 400 cm

junction roller (one-piece cover not available)

**1) N.B!** – Important background information can be found in the chapter “General Information”, in the section “Coupled Awnings”.

Awning cover	fabric range no.	standard	optional	Shadeplus / drop valance	standard	optional
sunvas	301.. / 309..-315..	✓	—	height 150 cm or 210 cm <sup>1)</sup>		
perla	370 ..	—	✓	maximum awning projection 350 cm <sup>2)</sup>		
sunsilk	324.. / 325.. / 328.. / 369..	✓	—	manual operation	✓	—
perla FR	374.. / 375..	—	✓	hard-wired motor <sup>3)</sup>	—	✓
perfortex	331.. / 332..	—	—	radio-controlled motor io, 868 MHz <sup>3)</sup>	—	✓
transolair	338..	—	—	radio-controlled motor RTS, 433 MHz <sup>3)</sup>	—	✓
vuscreen Alu	317..	—	—	cover	sunvas / sunsilk / transolair / vuscreen Alu <sup>4)</sup>	
Soltis Perform 92	92-20..	—	—			
glass fibre screen	272..	—	—			
valance, height 20 cm		—	✓			

1) depending on the fabric width (fabric width 120 cm) with horizontal seam

2) not available in awning sizes from 611 cm to 660 cm × 300 cm

3) drop 100 cm / striped fabrics will run horizontally

4) vuscreen Alu: maximum height 120 cm, only available with manual operation

01  
02  
03  
04  
05  
06  
07  
08  
09  
10  
11  
12  
13  
14  
15  
16  
17

**Optional accessories**

drop valance, manual or motor operation
folding arm technology with bionic tendon valance
wall sealing profile (effective up to a maximum awning pitch of 15°)
infrared heater 2000 W / 2500 W
infrared heater 2500 W with integrated radio-controlled receiver 868 MHz io
LED spotline – light bar 110 × 70 mm with 5 W LED spotlights, width 180 cm / 3 spots or 300 cm / 5 spots
LED spotline io – light bar 110 × 70 mm with 5 W LED spotlights with integrated dimmable radio-controlled receiver, width 180 cm / 3 spots or 300 cm / 5 spots
LED spotline io – light bar 145 × 75 mm with 5 W LED spotlights with integrated dimmable radio-controlled receiver and remote control, 180 cm / 3 spots or 300 cm / 5 spots (discontinued from January 2018)
Halogen spotline – light bar 89 mm × 40 mm with 20 W halogen spotlights, 200 cm / 3 spots or 300 cm / 5 spots
automatic controls (light, wind, rain)

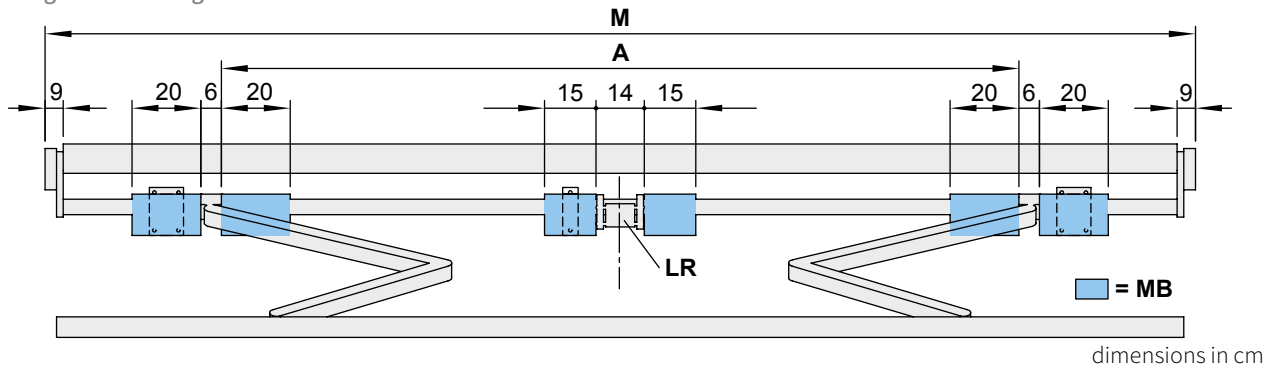
**Fixture brackets**

wall bracket 100 mm	70867.
wall bracket 45 mm	71813.
spreader plate A 430 × 160 × 12 mm	75328.
spreader plate B 300 × 400 × 12 mm	75325.
stand-off bracket wide 80–300 mm	77968.
stand-off bracket narrow 80–300 mm	77967.
top fixture bracket 90 mm	70868.
top fixture bracket 45 mm	71818.
eaves fixture bracket 90 mm, 150 mm plate	71612.
eaves fixture bracket 90 mm, 270 mm plate	71659.
flat plate and angled bracket for eaves fixture, machine finish aluminium, 500 mm plate	716620
spreader plate 260 × 60 × 12 mm for eaves fixture bracket	75383.
eaves fixture bracket adjustable from 7.5° – 60°	71198.
angled profile for eaves fixture 100 × 100 × 10 mm, machine finish aluminium, undrilled, by the metre (max. 3 m)	79380.

**11** **N.B!** – Important background information can be found in the chapter “Optional Accessories”.

# Bracket fixture range

Awning with 2 folding arms



		Overall awning width								
		260	310	360	410	460	510	560	610	660
Order dimensions		173	261	311	360	411	461	511	561	611
		260	310	360	410	460	510	560	610	660
		Arm position A								
H	150	154 <sup>1)</sup>	220	260	280	330	390	425	460	500
	200	204 <sup>2)</sup>	204 <sup>1)</sup>	260	280	330	390	425	460	500
	250	—	254 <sup>2)</sup>	254 <sup>1)</sup>	280	330	390	425	460	500
	300	—	—	304 <sup>2)</sup>	304 <sup>1)</sup>	330	390	425	460	500
	350	—	—	—	354 <sup>2)</sup>	370 <sup>1)</sup>	390	425	460	500
	400	—	—	—	—	404 <sup>2)</sup>	425 <sup>1)</sup>	425	460	—

dimensions in cm

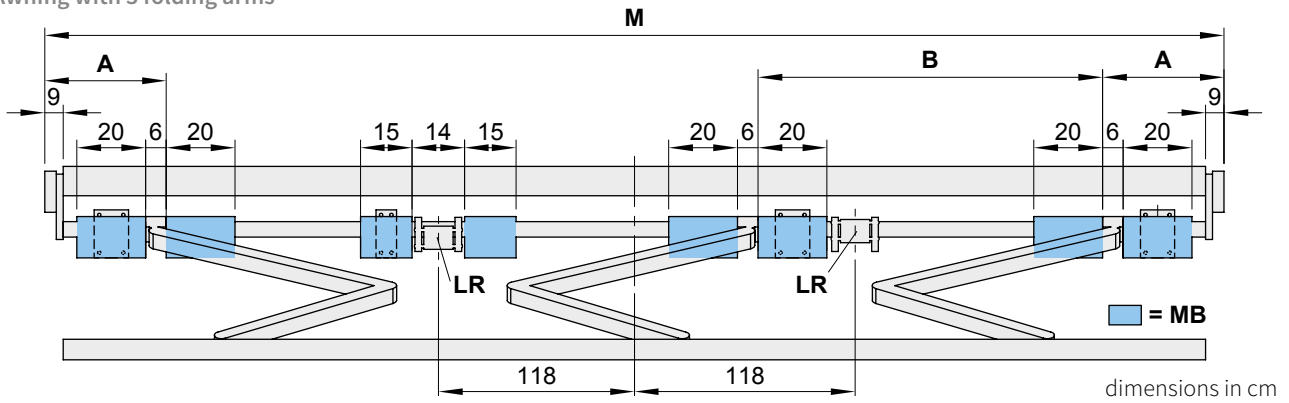
BHT		No. of brackets   No. of fixing points		
W	45	—		1   2
	100	2   6		2   6
BP		A 2   16	B 2   8	A 2   16    B 2   8
DP		—		1
DE	45	—		1   2
	90	2   8		2   8
DA	90	2   8		3   12

If the brackets cannot be positioned in accordance with this table, make sure the actual measurements are noted on the order form!

- 1) = coupled awning in intermediate widths available on request with junction roller
- 2) = please note the minimum widths! Dimension A is only valid for standard arms! Dimension A is 13 cm smaller in the case of bespoke arms. In the case of small awnings the brackets can only be fitted inside the arms, i.e. the position denoted by measurement A. Coupled units are not available with junction roller.
- A** = arm position
- BHT** = bracket width
- BP** = spreader plate A or B, to be positioned behind the folding arm
- DA** = eaves fixture bracket
- DE** = top fixture bracket
- DP** = spacer plate 71826., to be positioned behind the rolltex bearing, in the case of spreader plate A or B
- H** = *order dimension* = projection
- LR** = rolltex bearing
- M** = *order dimension* = awning width
- MB** = bracket fixture range
- W** = face fixture bracket

# Bracket fixture range

Awning with 3 folding arms



<b>Overall awning width</b>	
710	

Order dimensions

661  
710

		Arm position	
		A	B
<b>H</b>	150	35	220
	200	35	220
	250	35	220
	300	35	220
	350	25 <sup>1)</sup>	230 <sup>1)</sup>
	400	17 <sup>1)</sup>	229 <sup>1)</sup>

dimensions in cm

		No. of brackets   No. of fixing points	
<b>W</b>	45	1   2	
	100	3   9	
<b>BP</b>		A 3   24    B 3   24	
<b>DP</b>		1	
<b>DE</b>	45	1   2	
	90	3   12	
<b>DA</b>	90	4   16	

dimensions in cm

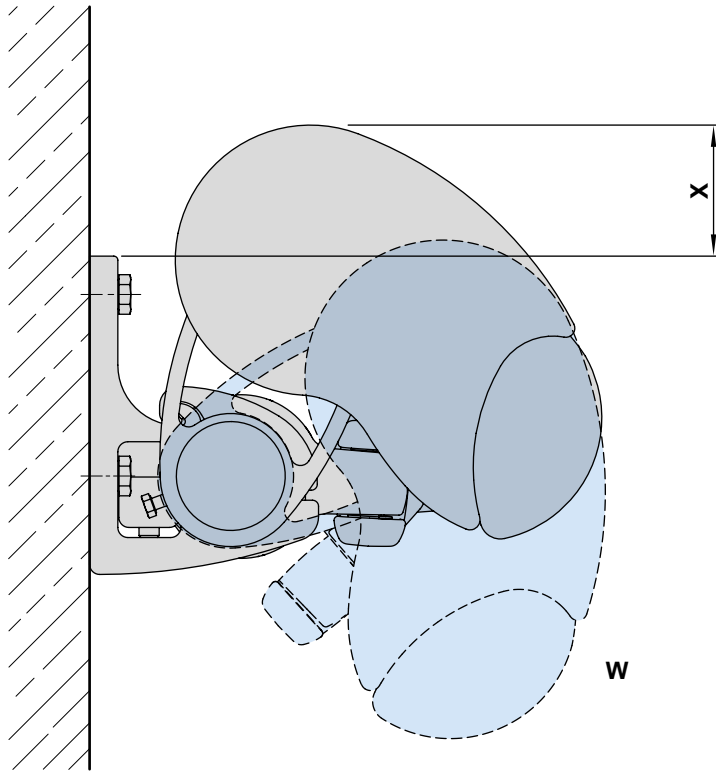
If the brackets cannot be positioned in accordance with this table, make sure the actual measurements are noted on the order form!

- 1) = coupled units are not available with junction roller
- A = arm position
- BHT = bracket width
- BP = spreader plate A or B, to be positioned behind the folding arm
- DA = eaves fixture bracket
- DE = top fixture bracket
- DP = spacer plate 71826., to be positioned behind the rolltex bearing, in the case of spreader plate A or B
- H = *order dimension* = projection
- LR = rolltex bearing
- M = *order dimension* = awning width
- MB = bracket fixture range
- W = face fixture bracket



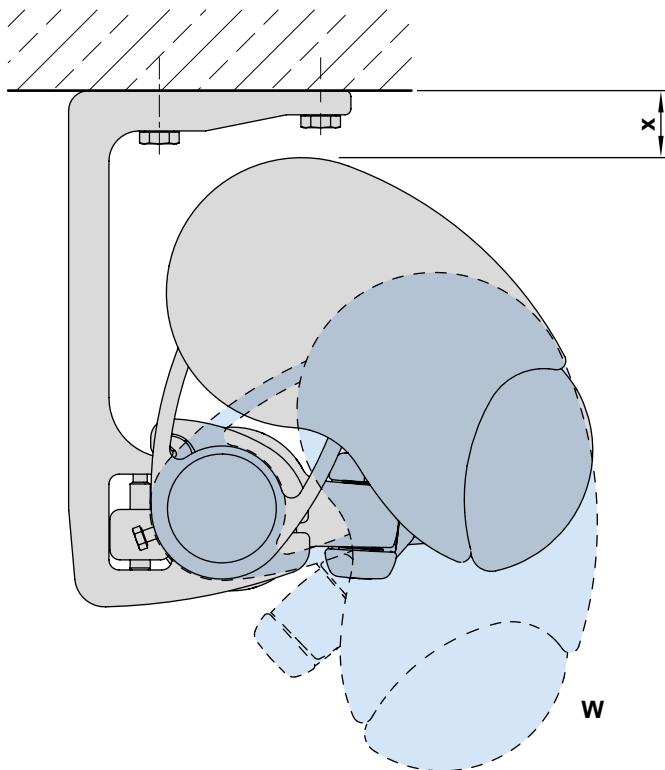
# Overall unit height at different pitch settings

Face fixture



pitch (W)	approx. height in mm (X)
5°	65
10°	64
15°	60
20°	54
25°	48
30°	41
35°	34
40°	26
45°	17
50°	8

Top fixture

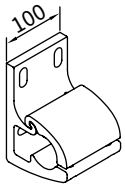


pitch (W)	approx. height in mm (X)
5°	33
10°	34
15°	38
20°	44
25°	50
30°	57
35°	65
40°	73
45°	81
50°	90

01  
02  
03  
04  
05  
06  
07  
08  
09  
10  
**11**  
12  
13  
14  
15  
16  
17

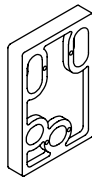
# Face fixture

## Fixtures, fittings and accessories



face fixture bracket  
100 mm

**70867.**



spacer plate for face  
fixture  
100 × 150 × 20 mm

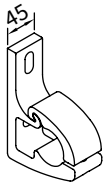
**N.B!** stack to a max.  
height of 200 mm

**718231**



spacer plate for face  
fixture  
100 × 150 × 12 mm

**718241**



face fixture bracket  
for central fixture,  
depending on size  
45 mm

**71813.**



spacer plate for face  
fixture 45 × 150 × 20 mm

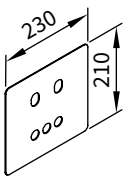
**N.B!** stack to a max.  
height of 200 mm

**718251**



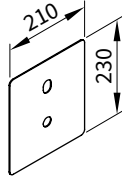
spacer plate for face  
fixture 45 × 150 × 12 mm

**71826.**



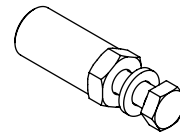
cover plate  
for spacer plate  
and stand-off brackets  
in the case of external  
insulation  
230 × 210 × 2 mm

**71843.**



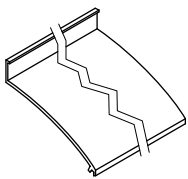
cover plate  
for spacer plate  
and stand-off brackets  
in the case of external  
insulation  
210 × 230 × 2 mm

**71844.**



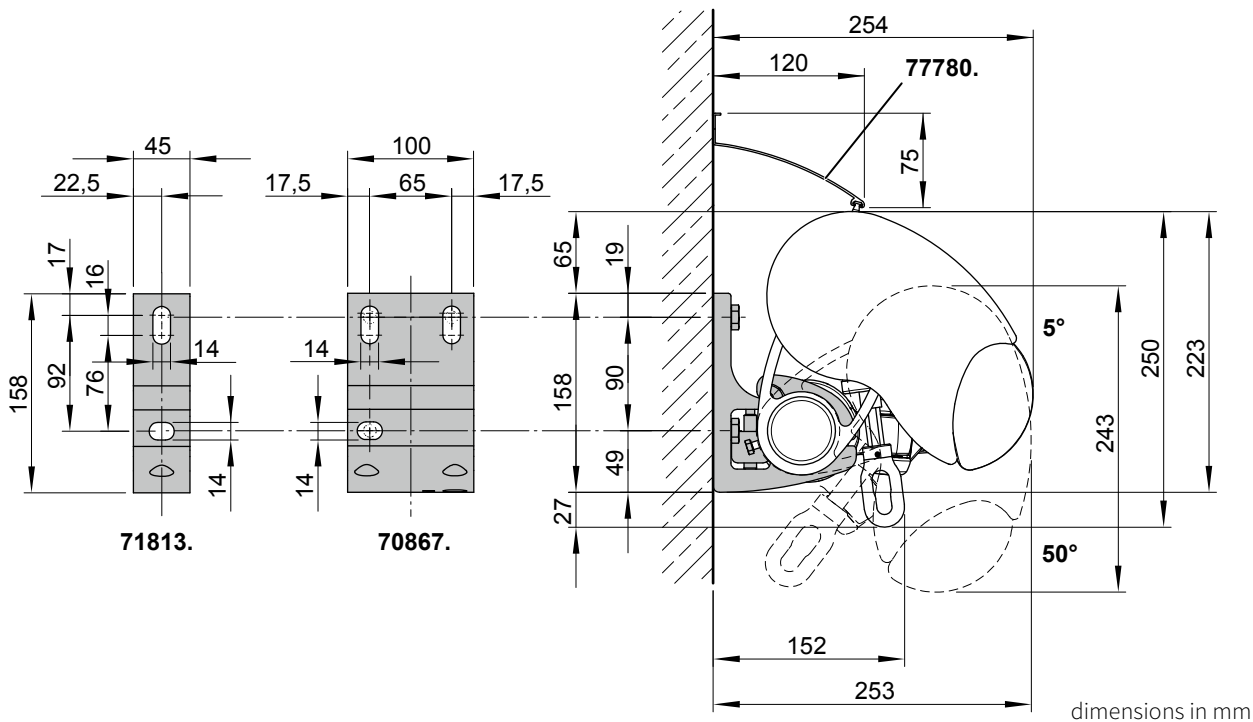
bolt reduction assembly  
pack 10 pcs

M 16 → M 12 | M 16 → M 10 | M 12 → M 10 | M 10 → M 10



wall sealing profile  
available by the metre

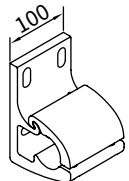
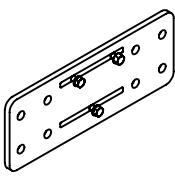
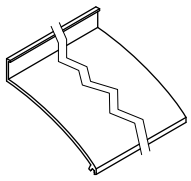
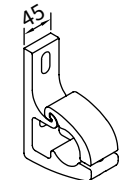

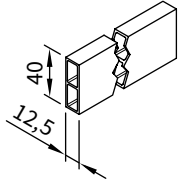
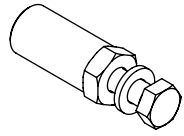
**77780.**

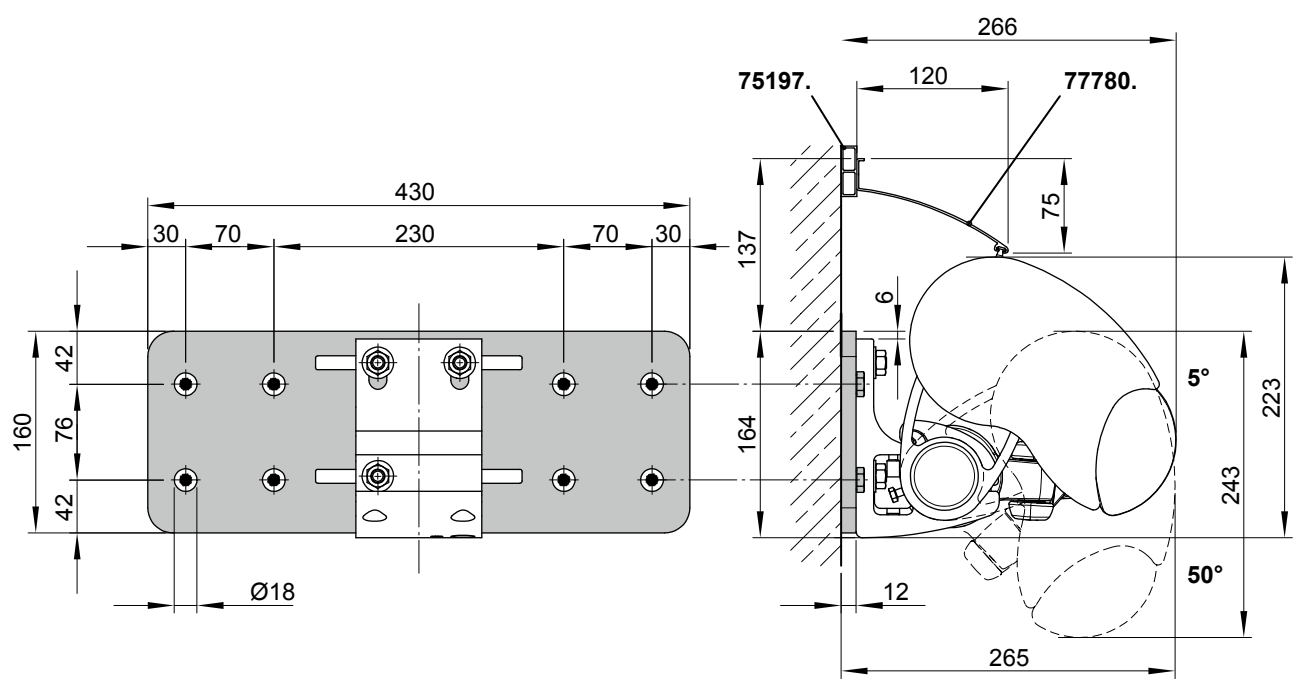


dimensions in mm

# Face fixture with spreader plate A

Fixtures, fittings and accessories

 <p>face fixture bracket 100 mm</p> <p><b>70867.</b></p>	 <p>spreader plate A face fixture 160 × 430 × 12 mm</p> <p><b>75326.</b></p>	 <p>wall sealing profile available by the metre</p> <p><b>77780.</b></p>
 <p>face fixture bracket for central fixture, depending on size 45 mm</p> <p><b>71813.</b></p>	 <p>spacer plate for face fixture 45 × 150 × 12 mm</p> <p><b>71826.</b></p>	 <p>stand-off strip for wall sealing profile available by the metre</p> <p><b>751971</b></p>
 <p>bolt reduction assembly pack 10 pcs</p> <p>M 16 → M 12   M 16 → M 10   M 12 → M 10   M 10 → M 10</p>		

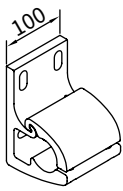


dimensions in mm

01  
02  
03  
04  
05  
06  
07  
08  
09  
10  
**11**  
12  
13  
14  
15  
16  
17

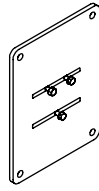
# Face fixture with spreader plate B

## Fixtures, fittings and accessories



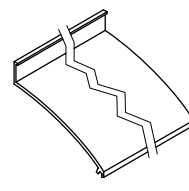
face fixture bracket  
100 mm

**70867.**



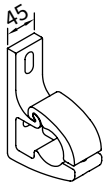
spreader plate B  
face fixture  
300 × 400 × 12 mm

**75325.**



wall sealing profile  
available by the metre

**77780.**



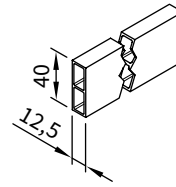
face fixture bracket  
for central fixture,  
depending on size  
45 mm

**71813.**



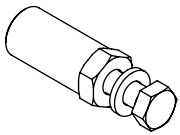
spacer plate for face  
fixture  
45 × 150 × 20 mm

**71826.**



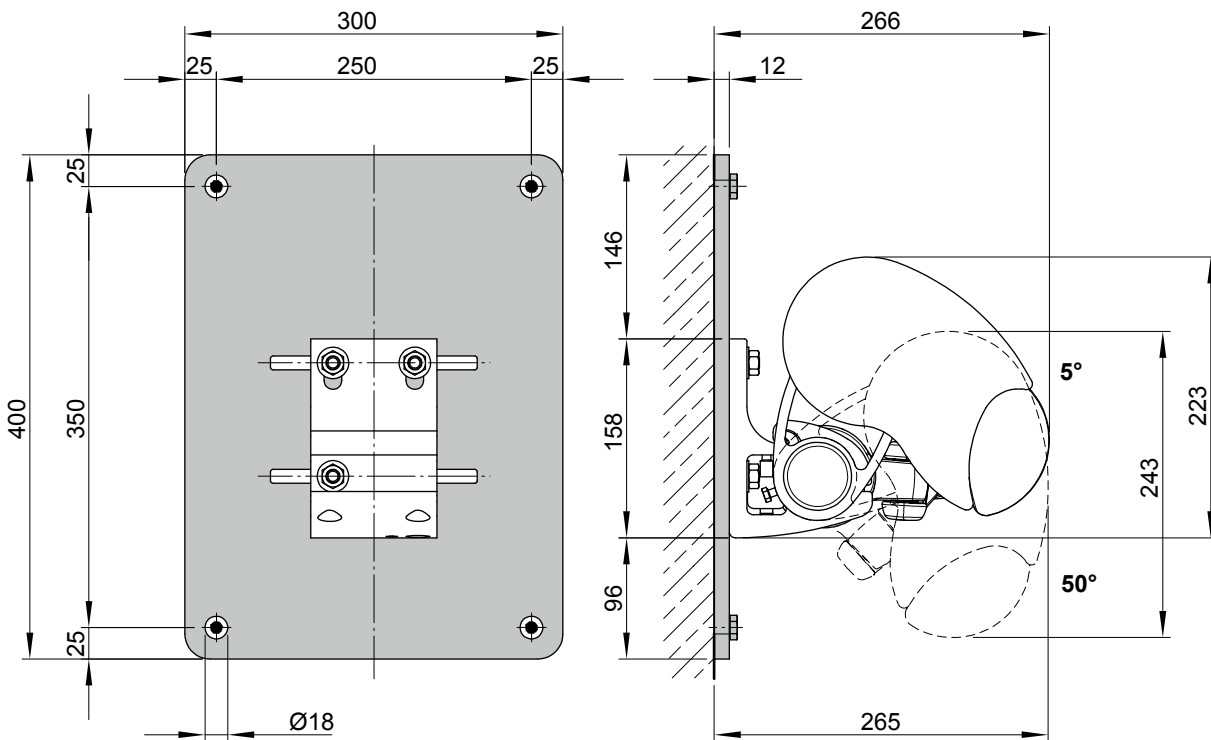
stand-off strip for  
wall sealing profile  
available by the metre

**751971**



bolt reduction assembly  
pack 10 pcs

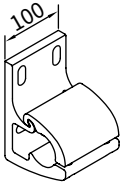
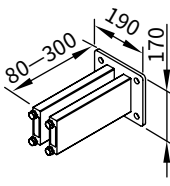
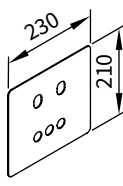
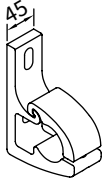
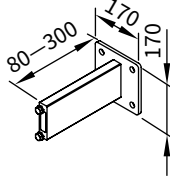
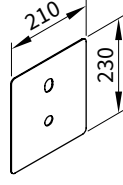
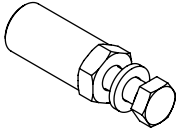
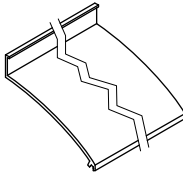
M 16 → M 12 | M 16 → M 10 | M 12 → M 10 | M 10 → M 10

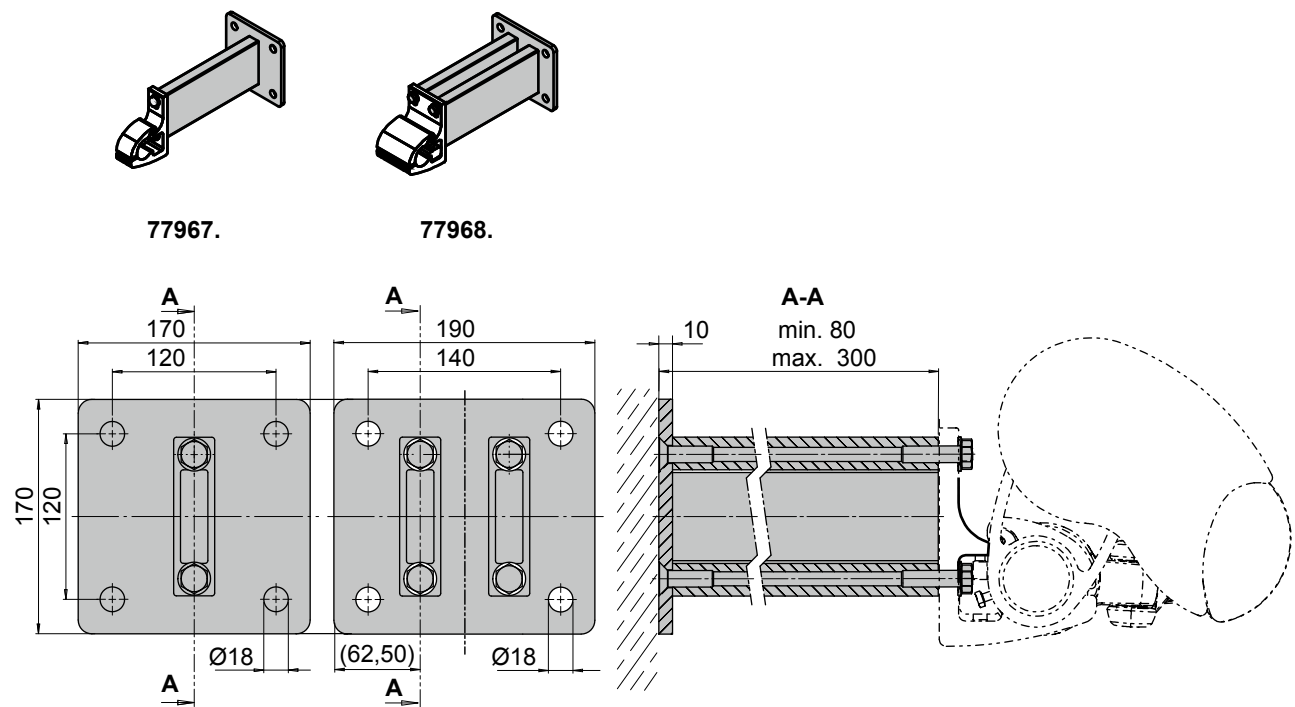


dimensions in mm

# Face fixture with stand-off bracket

Fixtures, fittings and accessories

 <p>face fixture bracket 100 mm</p> <p><b>70867.</b></p>	 <p>guide rod bracket for face fixture bracket 70867.</p> <p><b>77968.</b></p>	 <p>cover plate for spacer plate and stand-off brackets in the case of external insulation 230 x 210 x 2 mm</p> <p><b>71843.</b></p>
 <p>face fixture bracket for central fixture, depending on size 45 mm</p> <p><b>71813.</b></p>	 <p>guide rod bracket for face fixture bracket 71813.</p> <p><b>77967.</b></p>	 <p>cover plate for spacer plate and stand-off brackets in the case of external insulation 210 x 230 x 2 mm</p> <p><b>71844.</b></p>
 <p>bolt reduction assembly pack 10 pcs</p> <p>M 16 → M 12   M 16 → M 10   M 12 → M 10   M 10 → M 10</p>	 <p>wall sealing profile available by the metre</p> <p><b>77780.</b></p>	

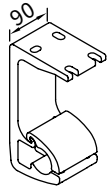


dimensions in mm

01  
02  
03  
04  
05  
06  
07  
08  
09  
10  
**11**  
12  
13  
14  
15  
16  
17

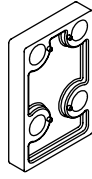
# Top fixture

## Fixtures, fittings and accessories



top fixture bracket  
90 mm

**70868.**



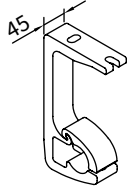
spacer plate for top fixture  
90 × 140 × 20 mm  
**N.B!** stack to a max.  
height of 200 mm

**716311**



spacer plate for top  
fixture 90 × 140 × 12 mm

**716411**



top fixture bracket  
additional bracket for 3  
folding arms

**71818.**



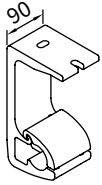
spacer plate for top fixture  
45 × 140 × 20 mm  
**N.B!** stack to a max.  
height of 200 mm

**716261**



spacer plate for top  
fixture 45 × 140 × 12 mm

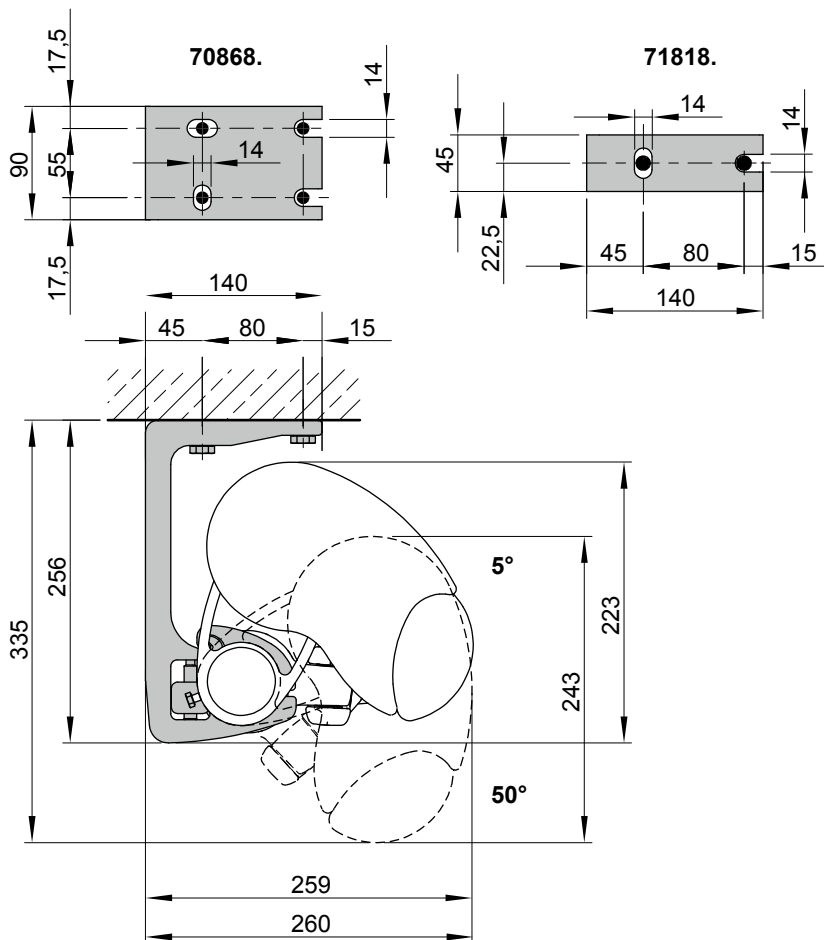
**716371**



top fixture bracket  
for central fixture

**N.B!**  
The pull-out forces are  
double those of top  
fixture bracket 70868.

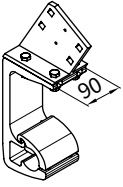
**70869.**



dimensions in mm

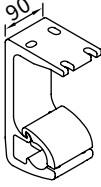
# Eaves fixture

## Fixtures, fittings and accessories



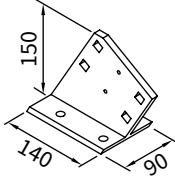
eaves fixture bracket  
complete set  
height of flat  
plate: 150 mm  
90 mm

**70871.**



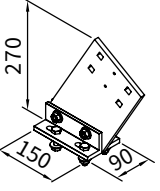
top fixture bracket  
90 mm

**70868.**



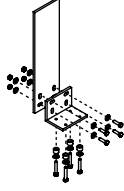
eaves fixture bracket  
150 mm plate

**71612.**



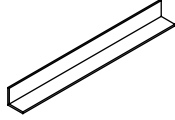
eaves fixture bracket  
270 mm plate  
please refer to "Eaves  
fixture with spreader /  
backing plate"

**71659.**



flat plate and angled  
bracket for eaves fixture  
machine finish

**716620**

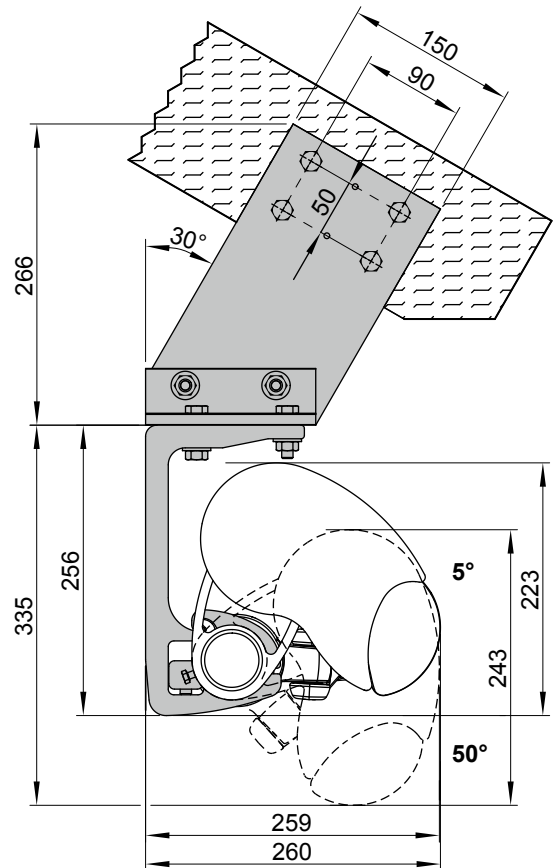
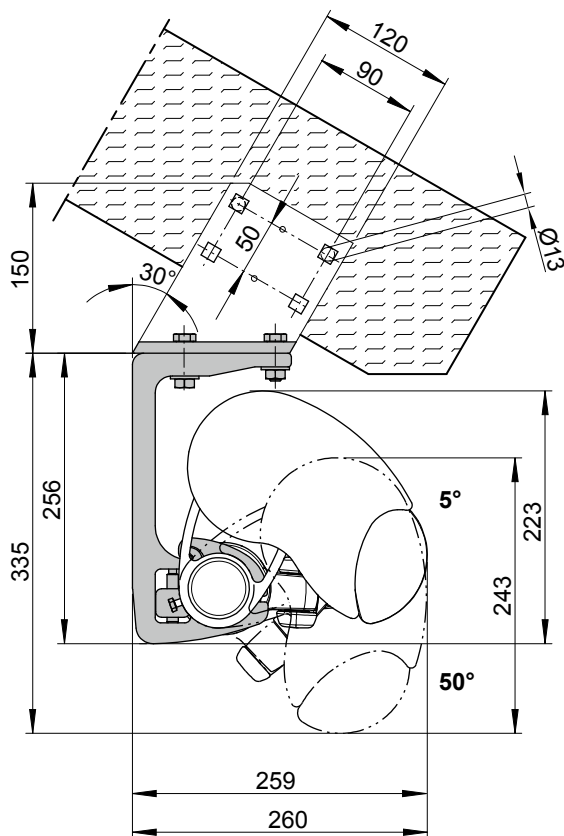


angled profile  
eaves fixture bracket  
100 mm x 100 mm  
sold by the metre,  
not pre-drilled  
793800 = machine finish

**79380.**

with eaves fixture bracket 150 mm (71612.)

with eaves fixture bracket 270 mm (71659.)

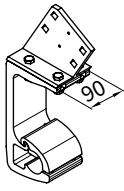


dimensions in mm

01  
02  
03  
04  
05  
06  
07  
08  
09  
10  
**11**  
12  
13  
14  
15  
16  
17

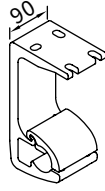
# Eaves fixture with additional plate

## Fixtures, fittings and accessories



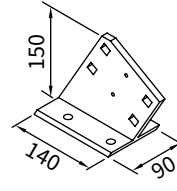
eaves fixture bracket  
complete set  
height of flat plate: 150 mm  
90 mm

**70871.**



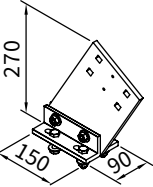
top fixture bracket  
90 mm

**70868.**



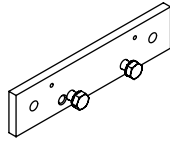
eaves fixture bracket  
150 mm plate

**71612.**



eaves fixture bracket  
270 mm plate  
please refer to "Eaves  
fixture with spreader /  
backing plate"

**71659.**



supplementary flat plate  
eaves fixture  
260 × 60 × 12 mm

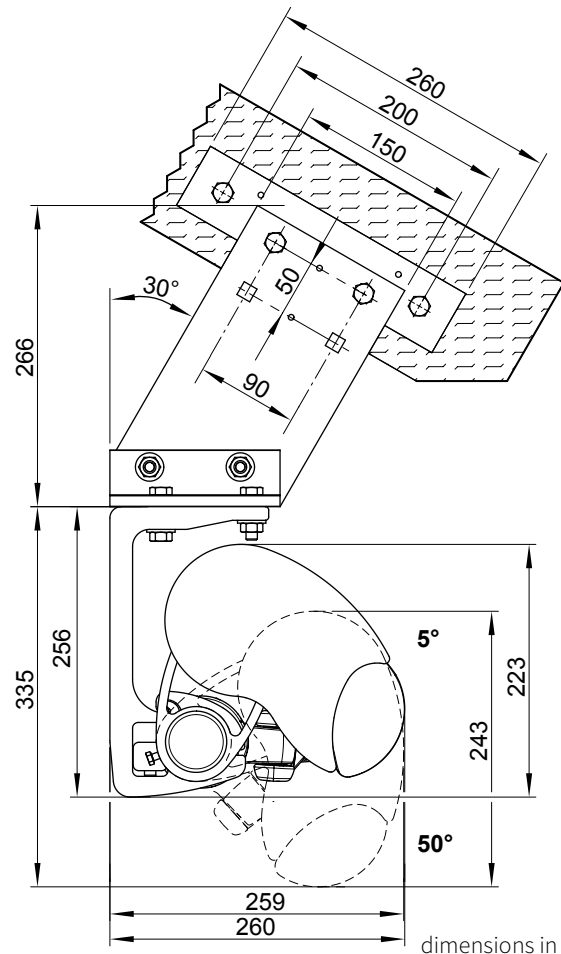
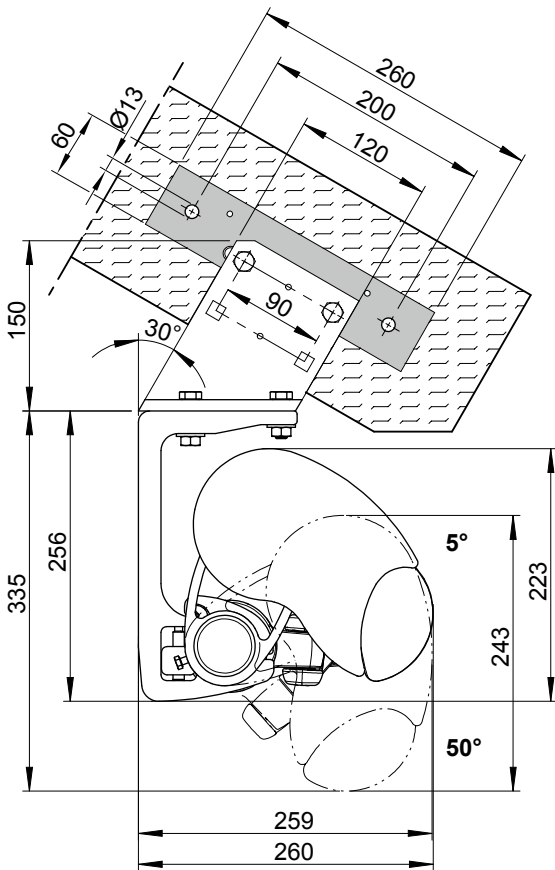
please refer to "Eaves  
fixture with spreader /  
backing plate"

**75383.**

**11**

with eaves fixture bracket 150 mm (71612.)

with eaves fixture bracket 270 mm (71659.)

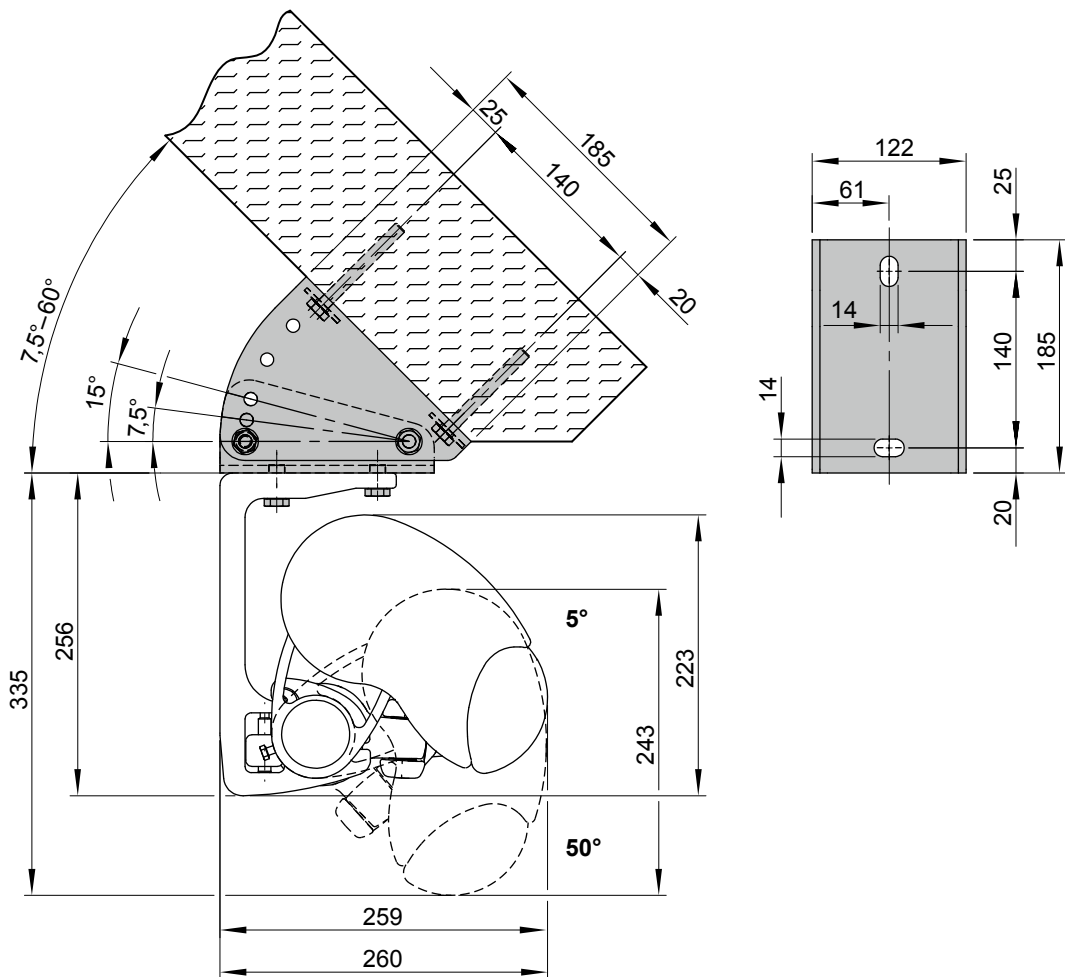
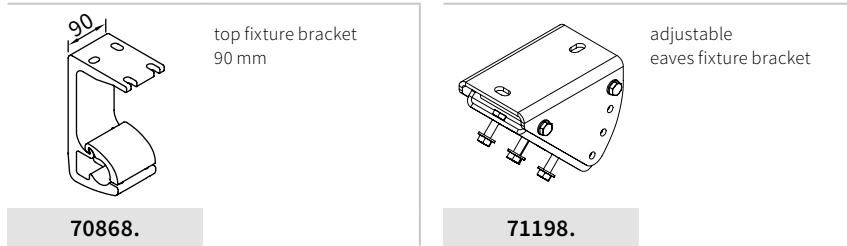


dimensions in mm



# Eaves fixture with adjustable eaves fixture bracket

Fixtures, fittings and accessories



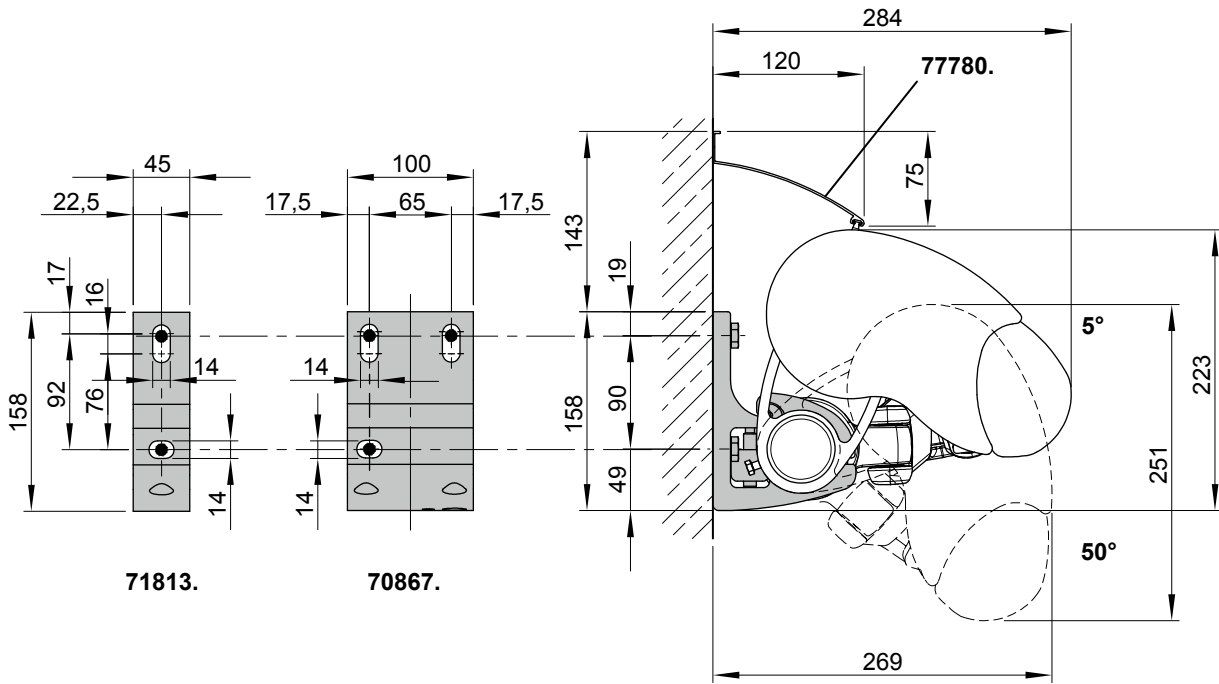
dimensions in mm

01  
02  
03  
04  
05  
06  
07  
08  
09  
10  
**11**  
12  
13  
14  
15  
16  
17

01  
02  
03  
04  
05  
06  
07  
08  
09  
10

# Awning with shadeplus

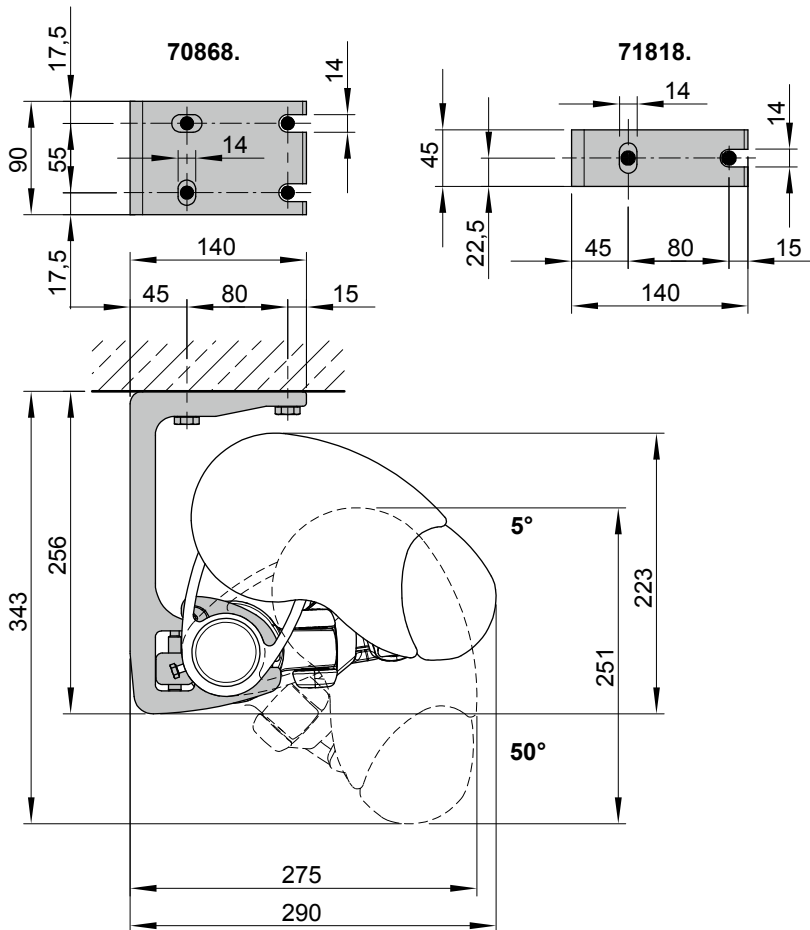
Face fixture



11

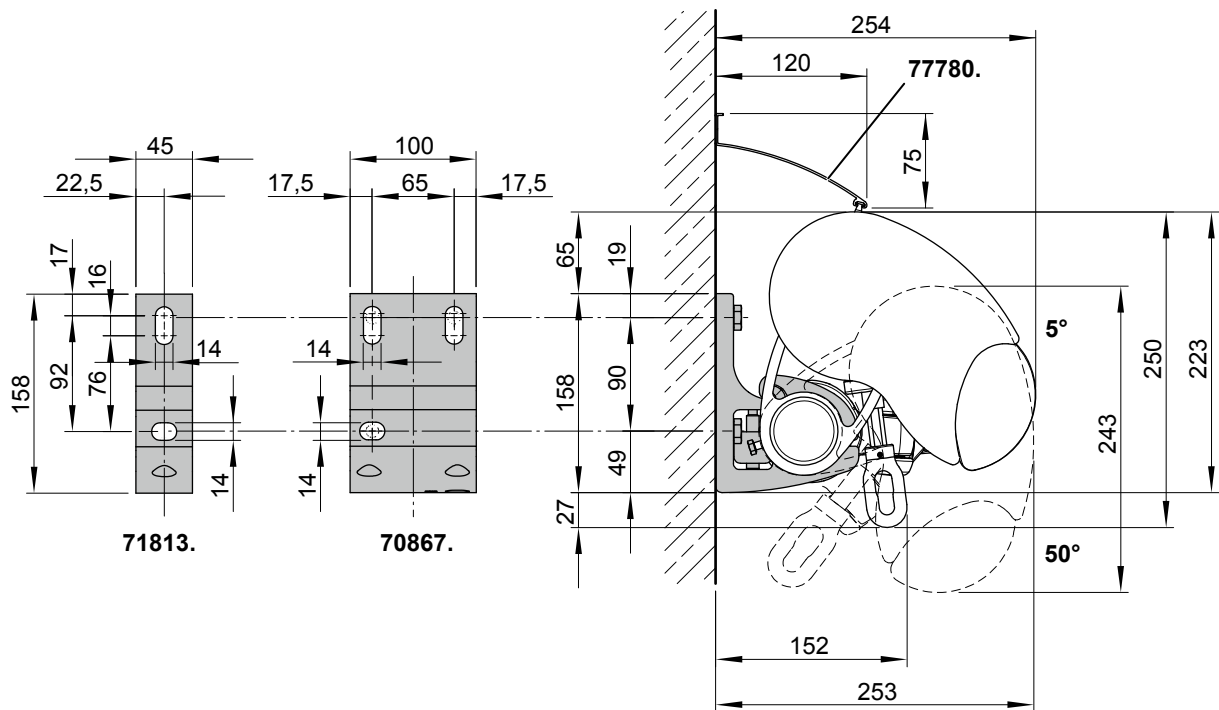
12  
13  
14  
15  
16  
17

Top fixture

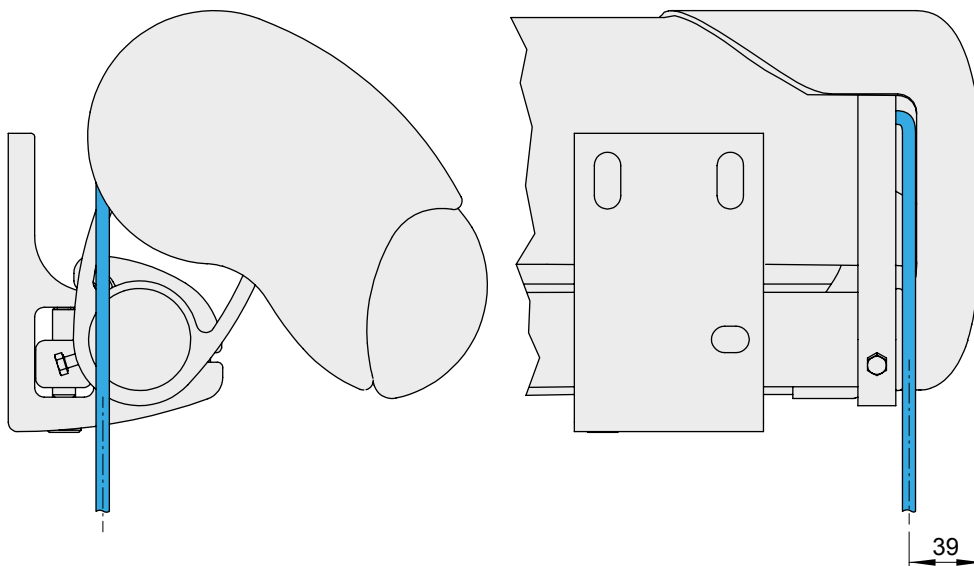


## Face fixture, manual operation

Gearbox eye positions

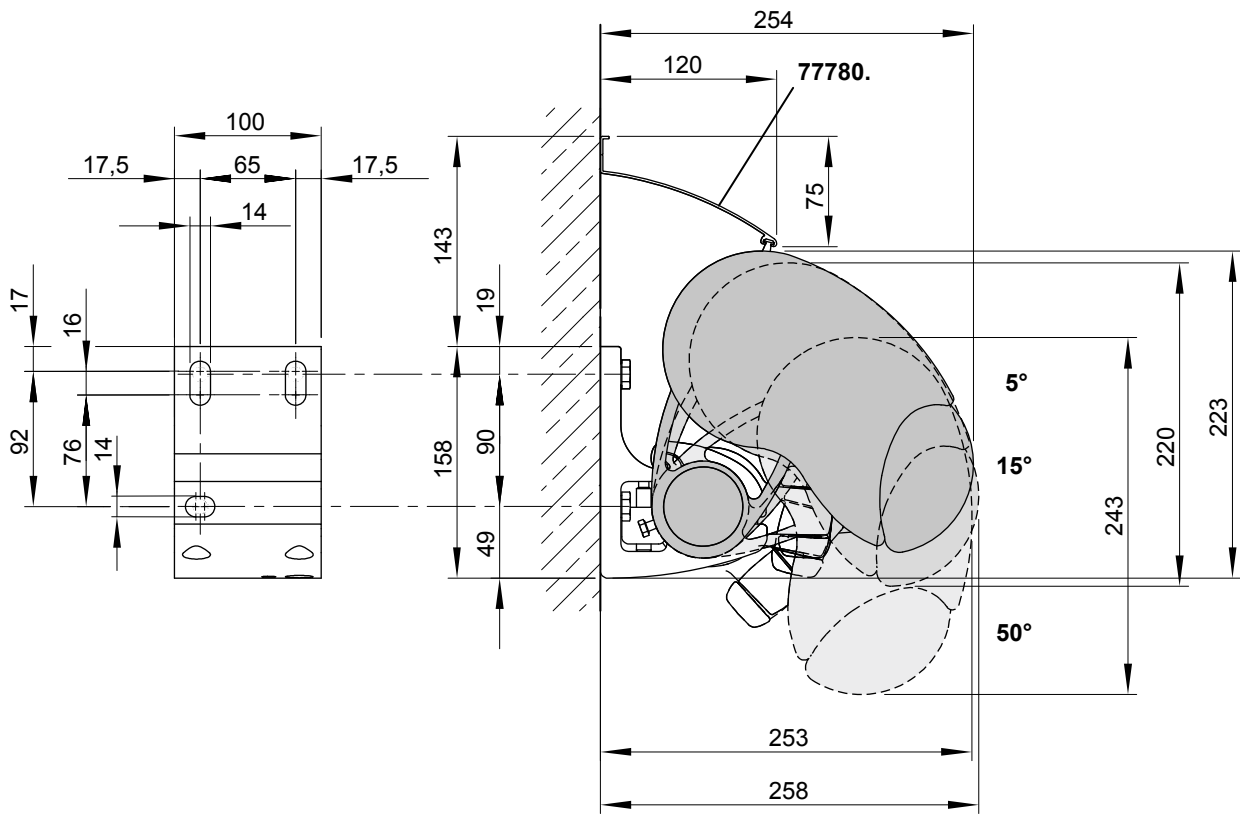


## Motor cable exit point



### Face fixture, motor operation

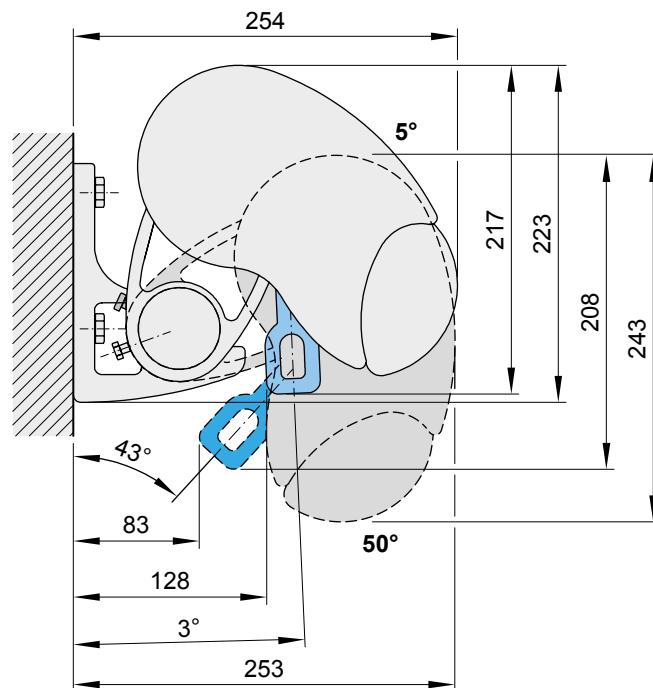
Dimensions at pitches between 5° and 50°



11

### Face fixture, radio-controlled motor with manual override

Gearbox eye positions



dimensions in mm