



Exterior awning

## markilux 8850

Exterior awning for conservatories with bevel-edged roofs.



product  
design award

2013



German  
Design Award

NOMINEE 2014

[markilux.com](http://markilux.com)

**markilux**  
safe timeless beautiful

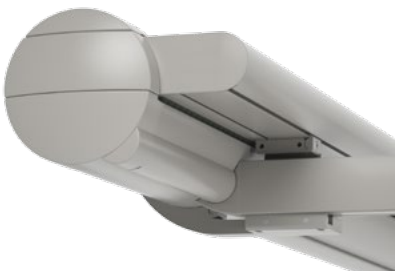
# Product characteristics

Wind resistance class 2  
Beaufort 5 → 7.5–10.4 m/s → 28–37 km/h → 17–23 mph

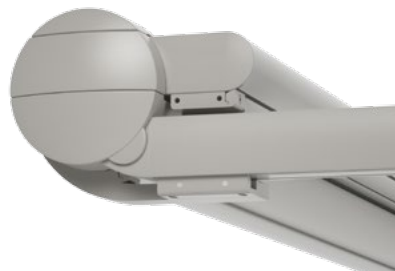
01  
02  
03  
04  
05  
06  
07  
08  
09  
10  
11  
12  
13  
14  
15  
16  
17  
18  
19  
20



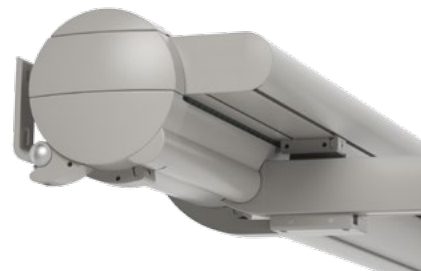
1 bottom fixture, indented guide track



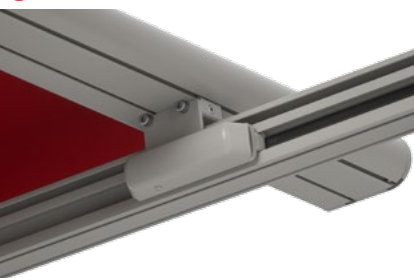
1 bottom fixture, guide track moved out as far as possible



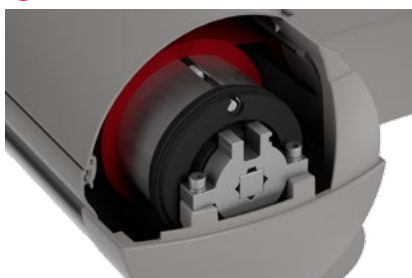
2 face fixture, indented guide track



3 view of the bogey on the front profile



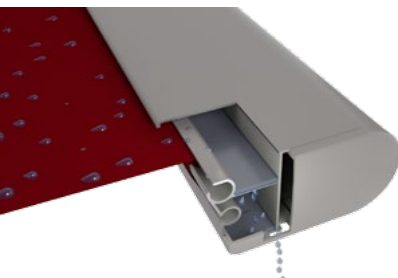
4 maintenance opening in the cassette



4 awning retracted, cover completely protected



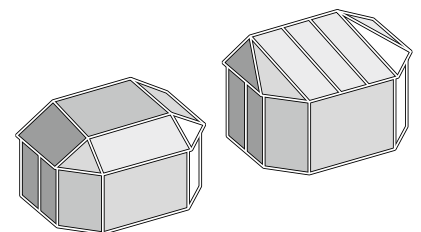
5 hidden gutter with water drainage to the side



6 wall sealing profile <sup>1)</sup> effective up to a maximum pitch of 15°



examples of its use on various conservatory shapes



1) optional configuration

## Product characteristics

### Description

- exterior awning for bevel-edged conservatories.

### Special features

- the cover runs in and out above the guide tracks – the cover appearance from the exterior is ideal and gives more flexibility when fitting
- guide tracks can be indented up to 100 cm – if the system is asymmetrical the difference left and right may not exceed 40 cm
- the guide tracks can overrun the last bracket position by up to 100 cm – giving more sun protection
- fully encompassing cassette that protects the cover perfectly
- the tried and tested tensioning system – with drive belts and integrated gas pistons – delivers optimum cover tension in any phase of extension
- optional wall sealing profile – to cover the gap between wall and awning cassette

### Dimensions

- single unit: width 80 cm – 650 cm, maximum extension 500 cm (depending on the width)
- maximum dimensions width × extension: 500 × 500 cm / 600 × 450 cm / 650 × 400 cm
- intermediate sizes are available

### Roller tube and lateral bearings

- round roller tube Ø 95 mm with keyway, galvanised steel – excellent stability, ensures near perfect cover performance even at the largest widths
- the roller tube bearing is made of die-cast aluminium

### Awning profiles

- extruded aluminium, in façade quality, powder coated
- cassette profile in two pieces, round, Ø 187 mm
- guide tracks angular, width × height 60 mm × 70 mm
- front profile rounded at the front, depth × height 150 mm × 70 mm

### Side caps

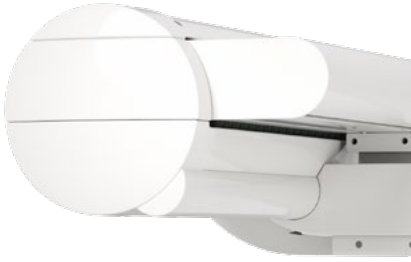
- the cassette end caps with opening for the guide tracks are made of die-cast aluminium, powder coated
- the top maintenance cover is made of high-quality plastic, powder coated
- the front profile end caps are made of high-quality plastic, powder coated
- the guide track end caps are made of high-quality plastic, powder coated

### Fixture brackets

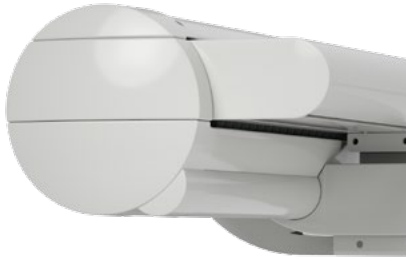
- extruded aluminium, powder coated
- cassette brackets: bottom fixture, face fixture
- guide track brackets: raised bottom fixture, flat track bracket
- standard bracket heights: 20 mm / 105 mm (bespoke heights can be ordered)
- other accessories are available

01 **Frame colours**02 **markilux frame colours without surcharge**

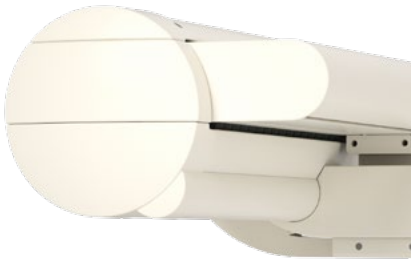
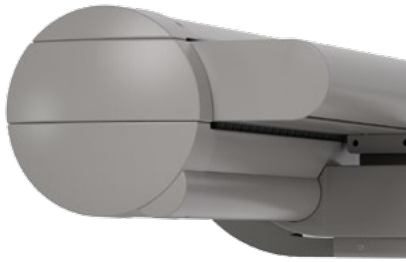
03 traffic white RAL 9016



04 metallic aluminium RAL 9006



05 grey brown, similar to RAL 8019

06 off-white textured finish, 5233 <sup>1)</sup>07 stone grey metallic, 5215 <sup>1)</sup>08 anthracite metallic, 5204 <sup>1)</sup>09 Havana brown textured finish, 5229 <sup>1)</sup>

15

16

17

18

19

20

**Non-standard powder-coated finish**

Bespoke frame colours at a surcharge – matt, metallic and pearl finishes as well as other colour ranges (DB, Tiger etc.) on request. All frame colours are available at a surcharge with enhanced corrosion protection.

**1)** textured finish

Colours may differ slightly from those depicted in both hue and finish.

# Dimensions and configuration options

Single unit

Order dimensions	Overall awning width											Minimum width	
	150	200	250	300	350	400	450	500	550	600	650	Hard-wired motor	Radio-contr. motor
	80 150	151 200	201 250	251 300	301 350	351 400	401 450	451 500	501 550	551 600	601 650		
H 1)	150											70	80
	200												
	250												
	300												
	350												
	400												
	450												
	500								-	-	-		

dimensions in cm

1) = additional guide track overhang of 90 mm

H = extension

### General note

In the case of larger extensions, the cover may sag slightly when the awning is being extended or retracted. in windy or wet conditions and a cover area > 16m<sup>2</sup>, this may lead to the cover coming into contact with the conservatory roof.

Operation	standard	optional
crank handle	—	—
hard-wired motor	✓	—
silentec motor (optionally with an external io / RTS receiver)	—	—
radio-controlled motor io, 868 MHz	—	✓
radio-controlled motor RTS, 433 MHz	—	✓
radio-controlled motor RTS, 433 MHz with manual override	—	—

Coupled Awning
not available

Shadeplus / drop valance
not available

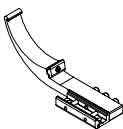
Awning cover	fabric range no.	standard	optional
sunvas	301.. / 309..-315..	✓	—
perla	370 ..	—	—
sunsilk	324.. / 325.. / 328.. / 369..	✓	—
perla FR	374.. / 375..	—	—
perfotex	331.. / 332..	✓	—
transolair	338..	—	—
vuscreen Alu	317..	—	—
Soltis Perform 92	92-20..	—	✓
glass fibre screen	272..	—	—
valance, height 20 cm		—	—

Optional accessories
storm safety clip for the cassette
wall sealing profile
automatic controls (light, wind, rain)

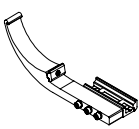
**N.B!** – Important background information can be found in the chapter “Optional Accessories”.

01 **Fixtures, fittings and accessories**

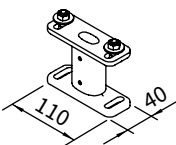
02 **Bottom fixture brackets, cassette**

03  track bracket on housing  
left  
included with the delivery

05 **76175.**

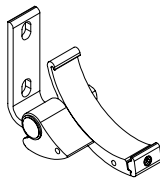
03  track bracket on housing  
right  
included with the delivery

05 **76176.**

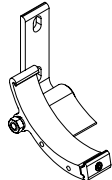
03  track bracket  
fixture type 32

05 **76085.**

06 **Cassette fixture bracket**

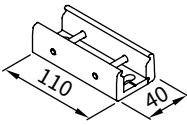
07  face fixture cassette bracket  
left  
5°-45° pitch adjustment range

09 **76063.**

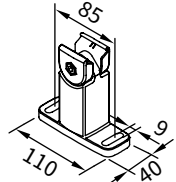
07  face fixture cassette bracket  
right  
5°-45° pitch adjustment range

09 **76064.**

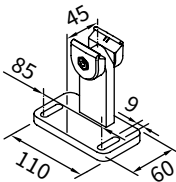
10 **Track brackets**

11  track bracket, flat

13 **76207.**

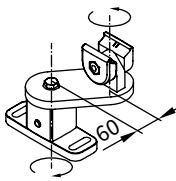
11  track bracket, with adjustable head  
100 mm

13 **76046.**

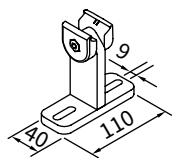
11  track bracket with adapter plate  
100 mm

13 **76199.**

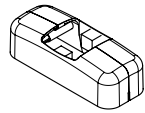
15

16  universal track bracket  
100 mm

18 **76054.**

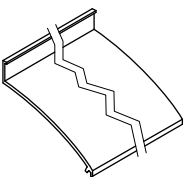
16  track bracket for conservatory transom fixture  
100 mm

18 **76055.**

16  cover cap for square track bracket  
standard accessory for bracket

18 **76718.**

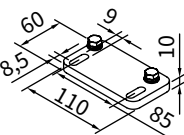
19 **Accessories**

20  wall sealing profile  
available by the metre  
see "Face fixture with wall sealing profile"

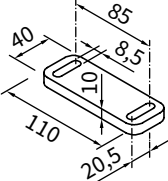
22 **77780.**

20  storm safety clip / closing guide

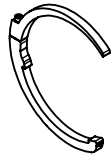
22 **76235.**

20  adapter plate for track bracket

22 **78165.**

23  spacer plate for track bracket  
110 × 40 × 10 mm

25 **78570.**

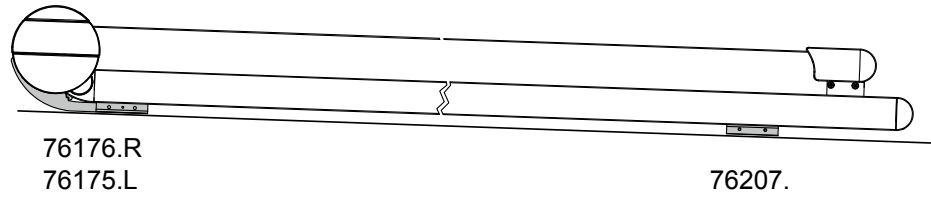
23  storm safety bracket for the cassette  
(recommended in regions where there is a risk of storms and for additional securing of the cassette)

25 **76197.**

## Fixture types

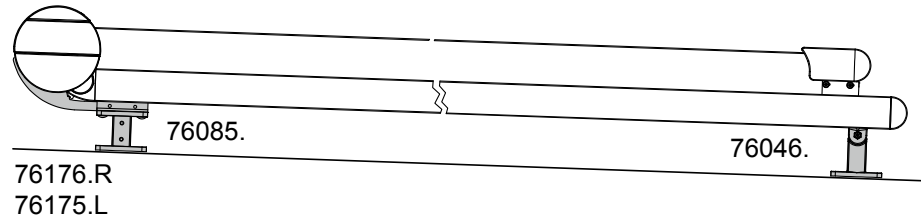
### Bottom fixture

11



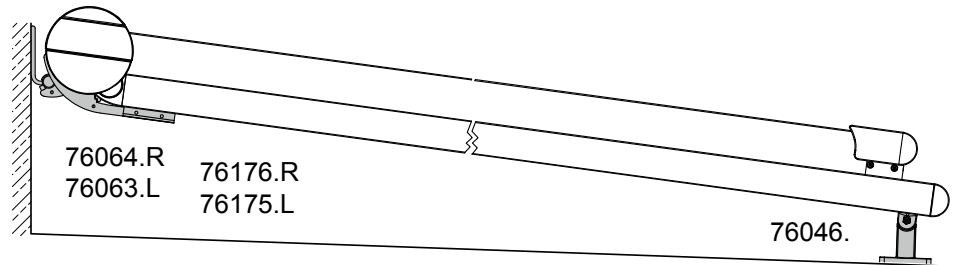
### Track-only fixture

32



### Face fixture

12



### Range of individual bracket options:

see "Fixtures, fittings and accessories".

### Bottom fixture:

In the case of extensions > 400 cm, 2 brackets per guide track. In the case of widths > 600 cm, an additional central cassette bracket or cassette support is required.

### Track-only fixture:

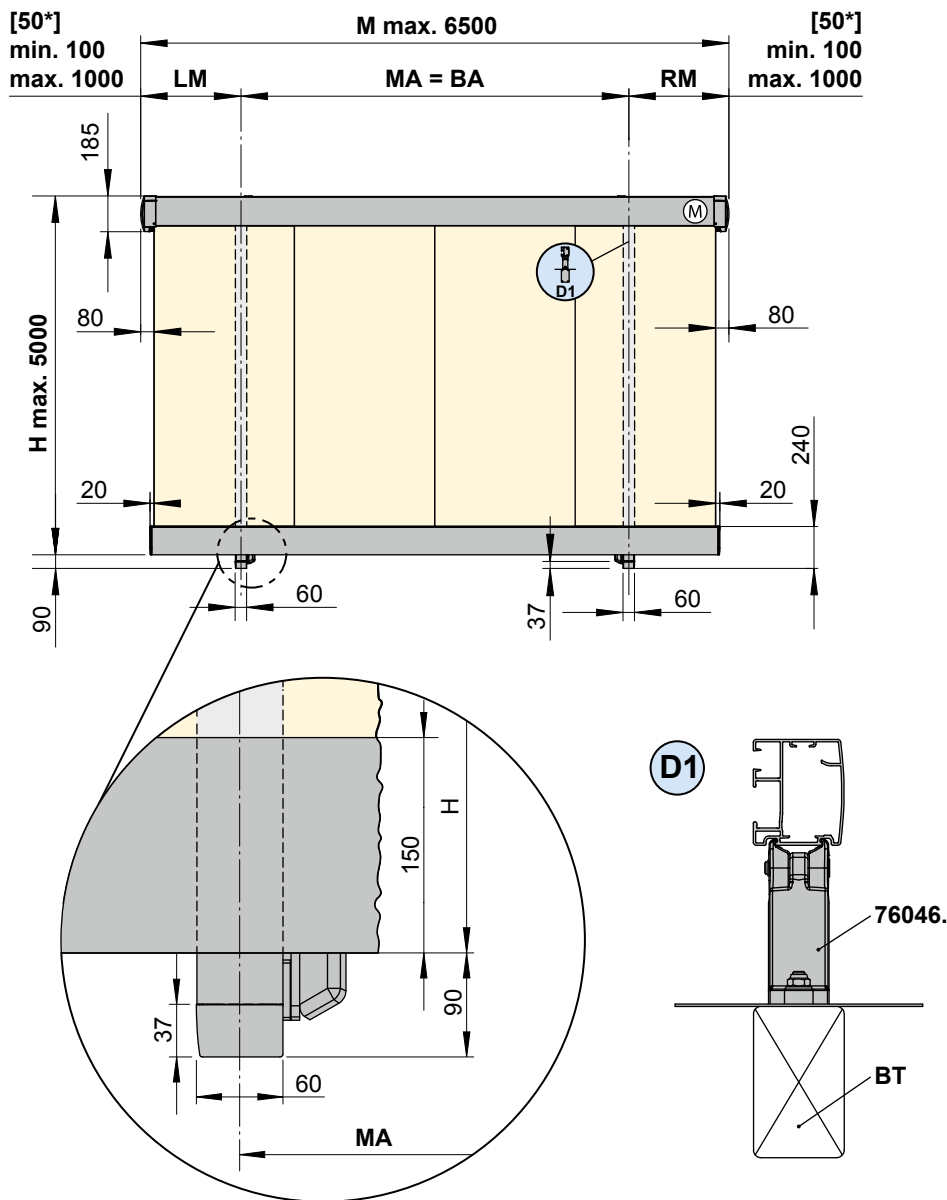
In the case of extensions > 400 cm, 3 brackets per guide track. In the case of widths > 600 cm, an additional central cassette bracket or cassette support is required.

### Face fixture:

In the case of extensions > 400 cm, 2 brackets per guide track. In the case of widths > 600 cm, an additional central cassette bracket is required.

# Overview of dimensions

Single unit



15

## Versions that can be ordered

**Type 1:** With guide tracks indented. The fixture width of the awning must be greater than the L and R dimensions. In the case of asymmetrical units the difference between the L and R dimensions may not exceed 400 mm. The tolerance in the fixture width is + 5 mm / - 10 mm.

**Type 2:** With the tracks as far out as possible. In this case, the L and R dimensions are 50 mm.

[...\*] = dimensions for units with guide tracks pushed out as far as possible

**76046.** = track bracket 100 mm

**BA** = width between fixture points

**BT** = component / fixture substrate

**D1** = detail of single guide track with bracket

**H** = *order dimension* = extension

**M** = overall awning width

**LM** = *order dimension* = L dimension

**MA** = *order dimension* = awning fixture width = fixture width

**MB** = bracket fixture range

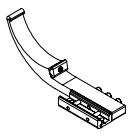
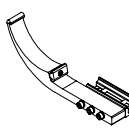
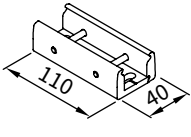
**(M)** = motor

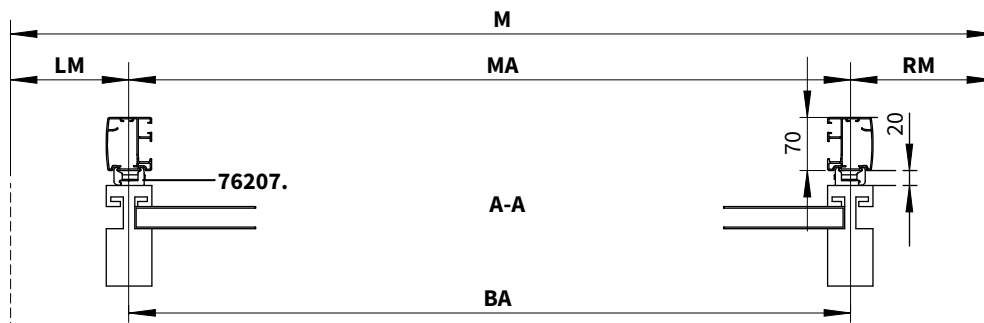
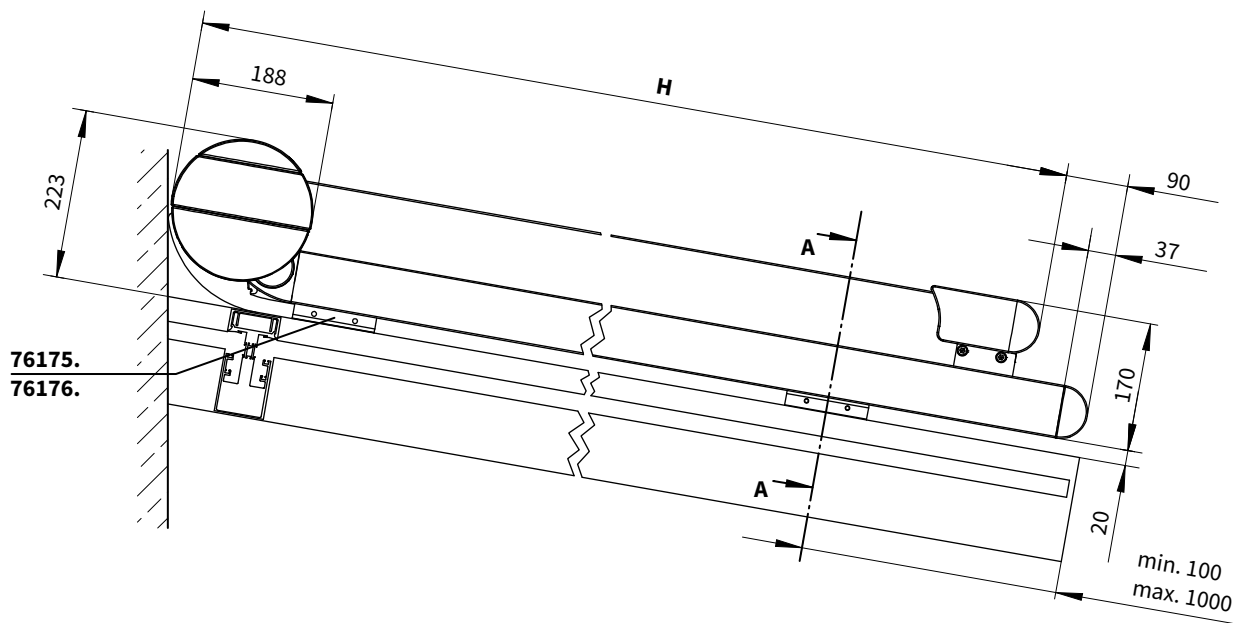
**RM** = *order dimension* = R dimension dimensions in mm



# Overview of dimensions, fixture type 11

## Fixtures, fittings and accessories

 <p>track bracket on housing left included with the delivery</p> <p><b>76175.</b></p>	 <p>track bracket on housing right included with the delivery</p> <p><b>76176.</b></p>	 <p>track bracket, flat</p> <p><b>76207.</b></p>
--	---	---



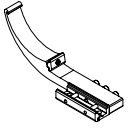
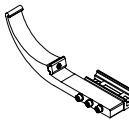
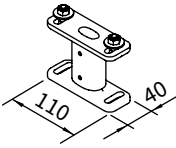
**N.B!** The maximum pitch of the awning may not exceed 90° This awning type cannot run uphill.

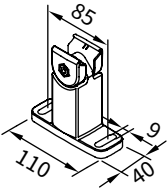
- BA** = width between fixture points
- H** = *order dimension* = extension
- LM** = *order dimension* = L dimension
- M** = overall awning width
- MA** = *order dimension* = awning fixture width = fixture width
- RM** = *order dimension* = R dimension

dimensions in mm

# Overview of dimensions, fixture type 32

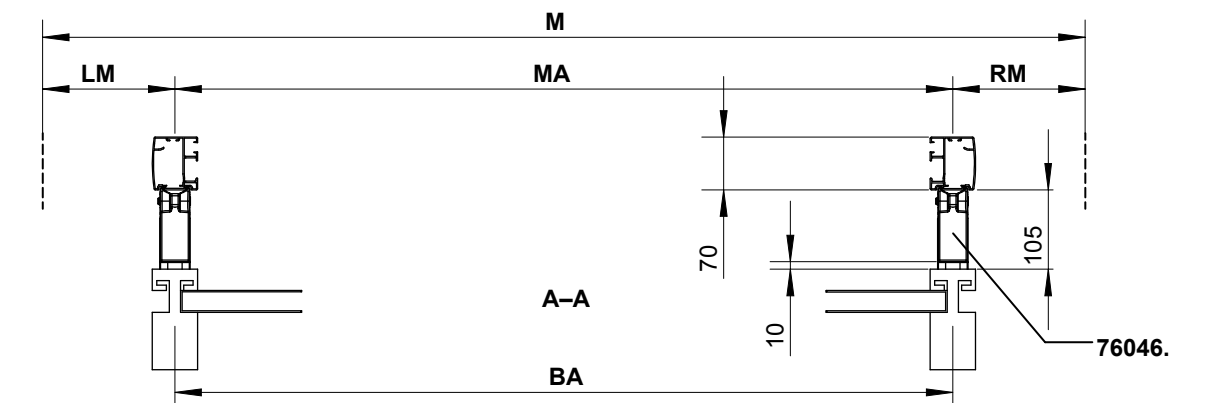
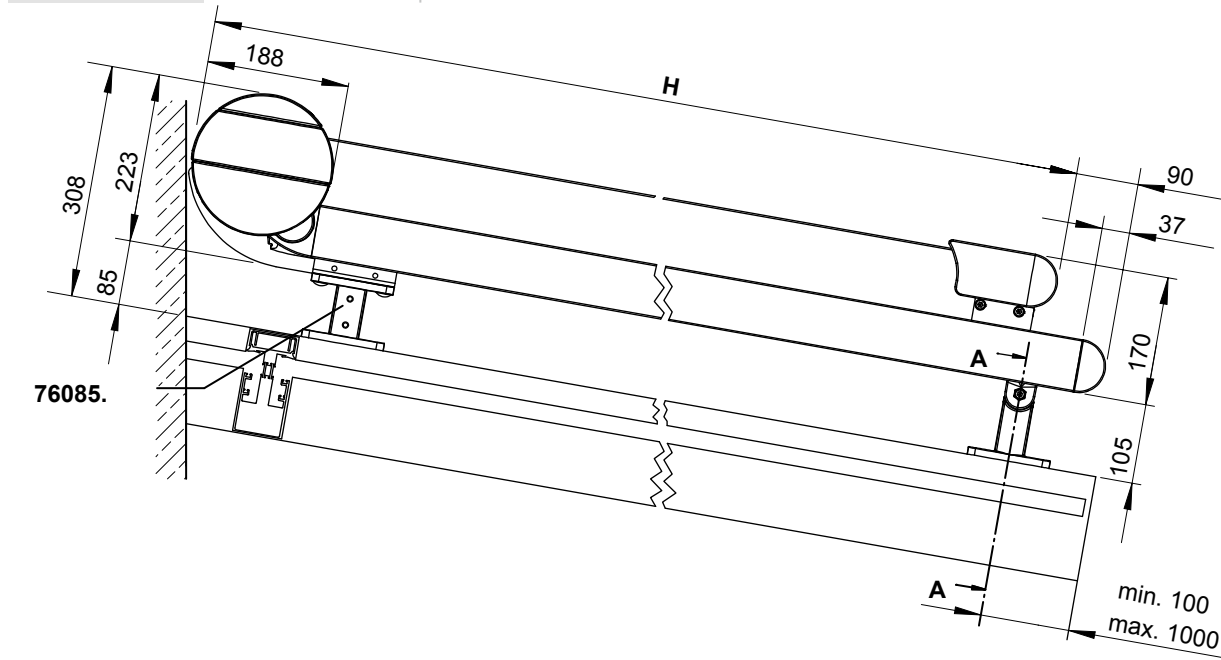
## Fixtures, fittings and accessories

 <p>track bracket on housing left included with the delivery</p> <p><b>76175.</b></p>	 <p>track bracket on housing right included with the delivery</p> <p><b>76176.</b></p>	 <p>track bracket fixture type 32</p> <p><b>76085.</b></p>
--	---	---



track bracket, with adjustable head  
100 mm

**76046.**

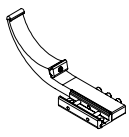
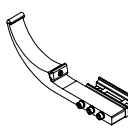
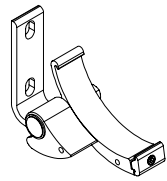
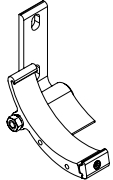
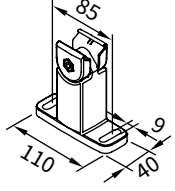


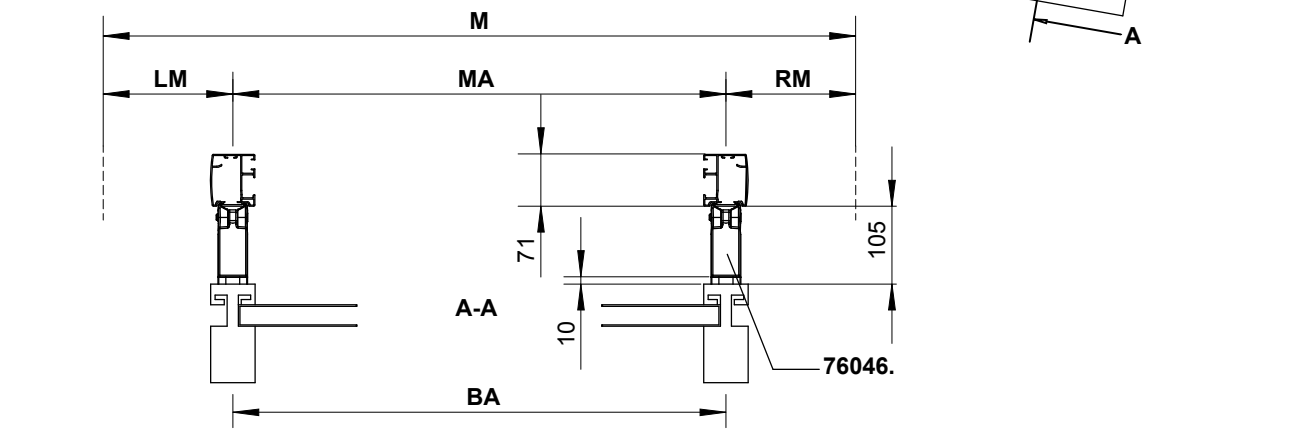
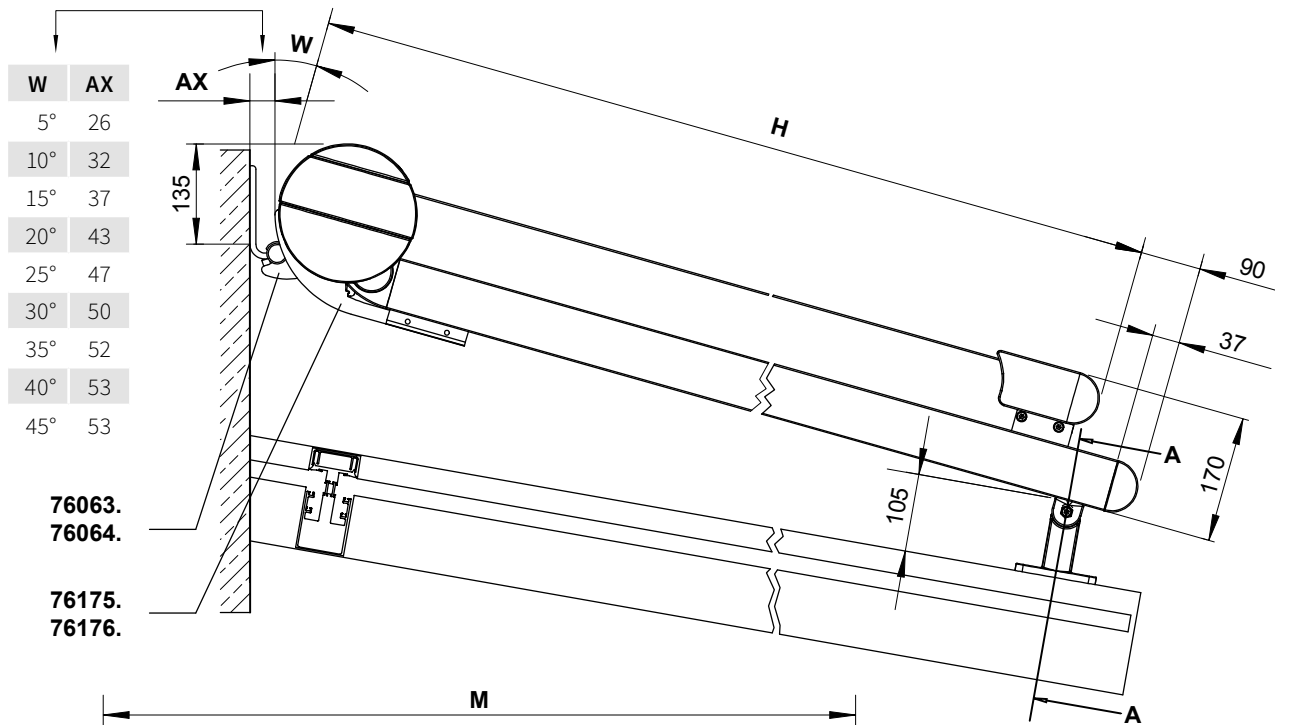
**N.B!** The maximum pitch of the awning may not exceed 90° This awning type cannot run uphill.

- |  |   |
|--|---|
| <b>BA</b> = width between fixture points         | <b>M</b> = overall awning width   |
| <b>H</b> = <i>order dimension</i> = extension    | <b>MA</b> = <i>order dimension</i> = awning fixture width = fixture width |
| <b>LM</b> = <i>order dimension</i> = L dimension | <b>RM</b> = <i>order dimension</i> = R dimension                          |
- dimensions in mm

# Overview of dimensions, fixture type 12

## Fixtures, fittings and accessories

 <p>track bracket on housing left included with the delivery</p> <p><b>76175.</b></p>	 <p>track bracket on housing right included with the delivery</p> <p><b>76176.</b></p>	 <p>face fixture cassette bracket left 5°-45° pitch adjustment range</p> <p><b>76063.</b></p>
 <p>face fixture cassette bracket right 5°-45° pitch adjustment range</p> <p><b>76064.</b></p>	 <p>track bracket, with adjustable head 100 mm</p> <p><b>76046.</b></p>	

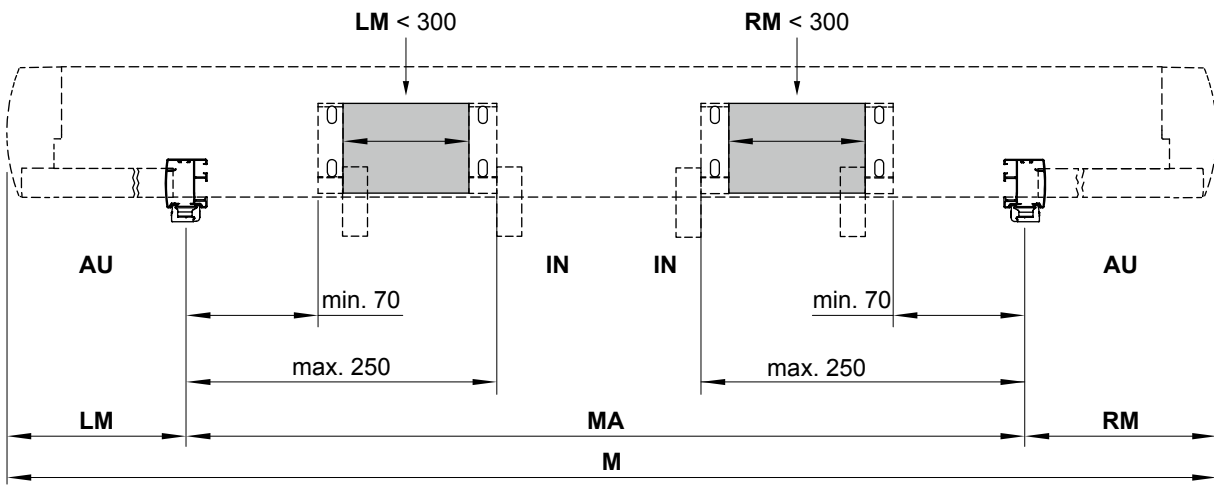


- AX** = distance from cassette to wall
- BA** = width between fixture points
- H** = *order dimension* = extension
- LM** = *order dimension* = L dimension
- M** = overall awning width
- MA** = *order dimension* = awning fixture width = fixture width
- RM** = *order dimension* = R dimension
- W** = pitch

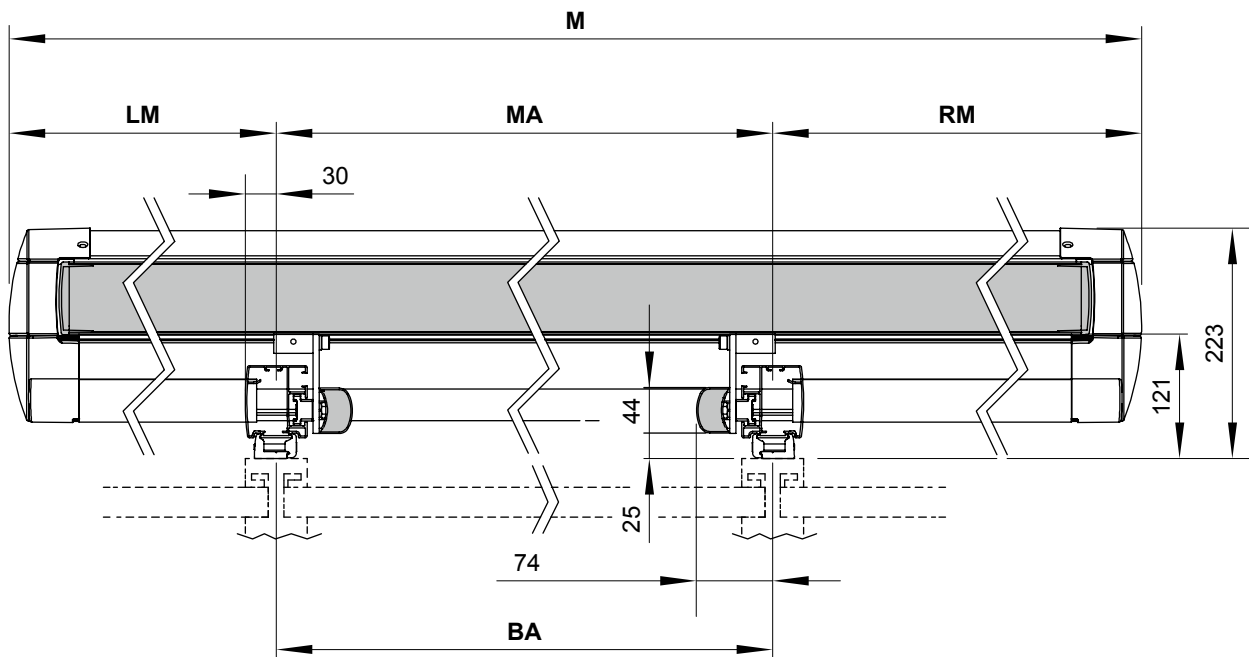
dimensions in mm

# Overview of dimensions

Bracket position, face fixture, fixture type 12



Cross section through the guide track with view of the bogey and the cassette housing

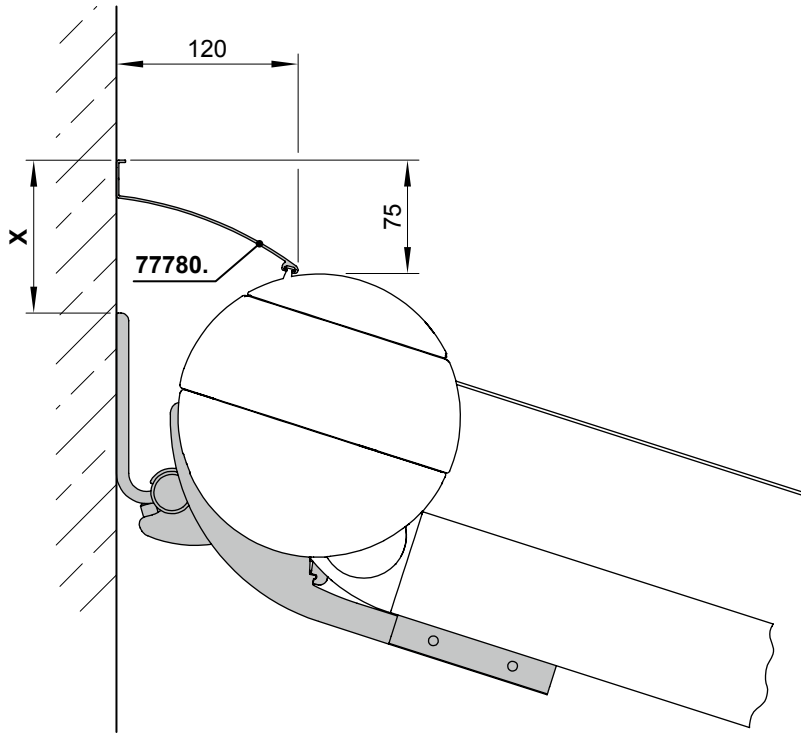


- AU** = exterior
- BA** = width between fixture points
- H** = *order dimension* = extension
- IN** = interior
- LM** = *order dimension* = L dimension
- M** = overall awning width
- MA** = *order dimension* = awning fixture width = fixture width
- RM** = *order dimension* = R dimension

dimensions in mm

# Overview of dimensions

Face fixture with wall sealing profile



W	X
5°	122
10°	114
15°	105
20°	—
25°	—
30°	—
35°	—
40°	—
45°	—

01  
02  
03  
04  
05  
06  
07  
08  
09  
10  
11  
12  
13  
14  
**15**  
16  
17  
18  
19  
20

**77780.** = wall sealing profile

**W** = pitch

**X** = distance from the top edge of the face fixture bracket to the top edge of the wall sealing profile      dimensions in mm

01

02

03

04

05

06

07

08

09

10

11

12

13

14

**15**

16

17

18

19

20