



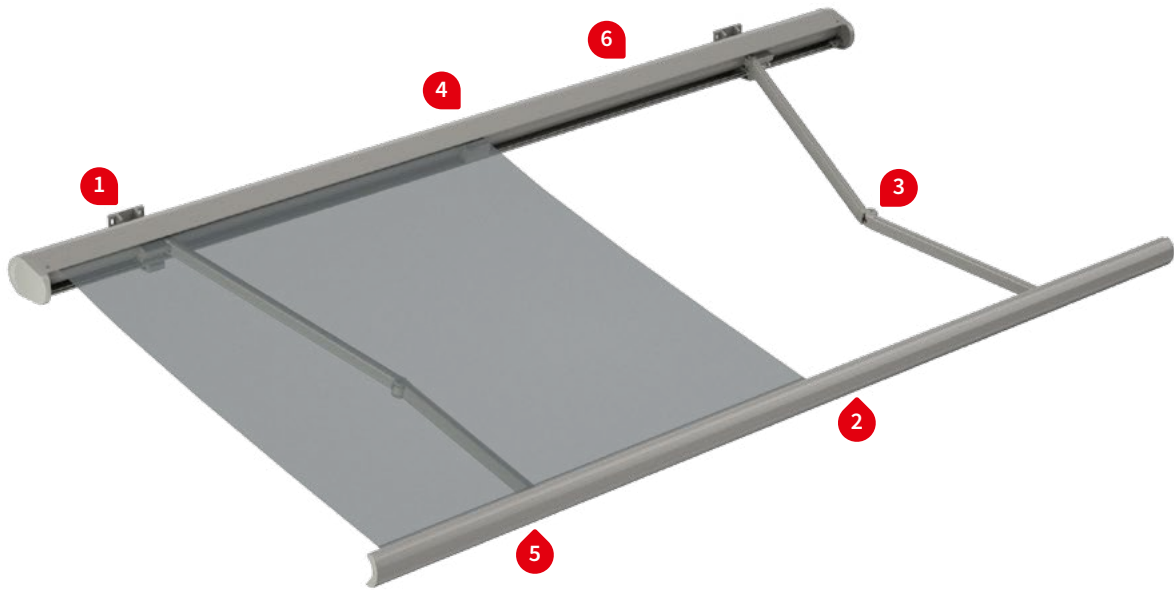
Cassette awning

## **markilux 5010**

The trendy cassette awning – slim, strong and simply chic.

# Product characteristics

Wind resistance class 2  
Beaufort 5 → 7.5–10.4 m/s → 28–37 km/h → 17–23 mph



1 face fixture



1 top fixture



2 drop valance 1)



2 drop valance, during extension 1)



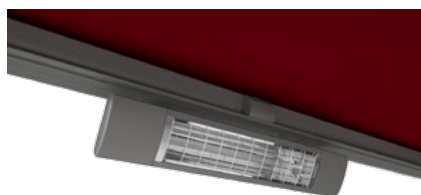
3 twin steel-link chains, corrosion protected



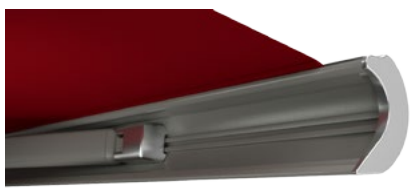
3 bionic tendon made of high-tech fibres for optimum power transference 1)



4 infrared heater attached to the cassette 1)



5 arm connection to the front profile, decorative cap in polished chrome



6 wall sealing profile 1), front profile end cap in polished chrome



1) optional configuration

## Product characteristics

### Description

- ovally shaped cassette awning in a slender design
- extremely robust construction, ideally suited for shading large areas

### Special features

- option of a drop valance up to a projection of 300 cm – vertical protection against low-lying sun and inquisitive glances integrated into the front profile, can be operated manually
- option of a silentec motor – motor noise is appreciably reduced
- the awning frame colour and end cap options can be freely combined (front profile end caps, decorative caps at the elbow joint and for the front profile connectors)

### Dimensions

- cassette in the standard version: depth 218 mm, height 151 mm  
cassette with drop valance: depth 293 mm, height 151 mm (without brackets)
- single unit: minimum width 187 cm at the smallest projection of 150 cm  
maximum width 700 cm at the largest projection of 400 cm
- also available as a coupled unit

### Roller tube and lateral bearings

- round roller tube Ø 85 mm with keyway, galvanised steel – excellent stability ensures near perfect cover performance even at the largest widths
- the cassette side caps are made of die-cast aluminium, powder coated

### Awning profiles

- extruded aluminium, in façade quality, powder coated
- cassette in two parts with integrated cover profile – offering optimum protection of the awning cover against the weather
- semi-circular front profile with integrated gutter

### Folding arms

- profiles in extruded aluminium, in façade quality, powder coated
- moving parts made of drop-forged aluminium – the arms are therefore extremely fracture resistant
- pivot bolts in stainless steel run in Teflon-coated bronze bushes – practically maintenance free, virtually silent and extremely hard-wearing
- power transference via corrosion-protected twin steel-link chains at the elbow joint, optionally with innovative bionic tendon made of high tensile, high-tech fibres – low in friction, noiseless, insensitive to corrosion and UV resistant

### Side caps

- the front profile end caps are made of high-quality plastic, powder coated or with a polished chrome finish, with water drainage holes
- the decorative caps for the arm to front profile connectors are made of high-quality plastic, powder coated or with a polished chrome finish
- the decorative caps at the elbow joint are made of high-quality plastic, in black or white (depending on the awning colour) or with a polished chrome finish

### Fixture brackets

- face fixture, top fixture, eaves fixture, bottom fixture
- extruded aluminium, powder coated
- pitch range 5°–35° or 36°–70°, infinitely adjustable
- spacer plates, stand-off brackets and other accessories are available

01 **Frame and end cap colours**

markilux frame colours without surcharge

02 traffic white RAL 9016

metallic aluminium RAL 9006

grey brown, similar to RAL 8019



**06**

07 off-white textured finish, 5233 <sup>1)</sup>

stone grey metallic, 5215 <sup>1)</sup>

anthracite metallic, 5204 <sup>1)</sup>



11 Havana brown textured finish, 5229 <sup>1)</sup>



17 off-white textured finish 5233 <sup>1)</sup>  
front profile end cap in polished chrome

stone grey metallic 5215 <sup>1)</sup>  
front profile end cap in polished chrome

anthracite metallic, 5204 <sup>1)</sup>  
front profile end cap in polished chrome



Combination options – possible in any frame colour

**Non-standard powder-coated finish**

Bespoke frame colours at a surcharge – matt, metallic and pearl finishes as well as other colour ranges (DB, Tiger, etc.) on request. All frame colours are available at a surcharge with enhanced corrosion protection.

**1)** textured finish

Colours may differ slightly from those depicted in both hue and finish.

# Dimensions and configuration options

Single unit

		Overall awning width										Minimum width				
		250	300	350	400	450	500	550	600	650	700 <sup>2)</sup>	Motor			Crank handle	
<b>Order dimensions</b>		187 250	251 300	301 350	351 400	401 450	451 500	501 550	551 600	601 650	651 700					
<b>H</b>	<b>150</b>	3)										200	187	—	200	187
	<b>200</b>	3)										250	237	—	250	237
	<b>250</b>	—	3)									300	287	—	300	287
	<b>300</b>	—	—	3)						1)		350	337	—	350	337
	<b>350<sup>1)</sup></b>	—	—	—	3)						2)	400	387	644	400	387
	<b>400<sup>1) 2)</sup></b>	—	—	—	—	3)				—	—	450	437	694	—	—

- 1) = drop valance not available
- 2) = only available with motor drive (at surcharge)!
- 3) = observe the minimum widths!
- H = projection

- = 2 folding arms, 2 brackets
- = 2 folding arms, 3 brackets
- = 2 folding arms, 3 brackets, 1 rolltex bearing
- = 3 folding arms, 4 brackets, 2 rolltex bearings

- = 2 standard arms
- = 2 bespoke arms (surcharge)
- = 3 standard arms

dimensions in cm

Operation	standard	optional
crank handle	✓	—
spring-assisted crank handle	—	✓
hard-wired motor	—	✓
silentec motor (optionally with an external io / RTS receiver) <sup>1)</sup>	—	✓
radio-controlled motor io, 868 MHz	—	✓
radio-controlled motor RTS, 433 MHz	—	✓
radio-controlled motor RTS, 433 MHz with manual override <sup>1)</sup>	—	✓

1) for awnings with a maximum of 2 arms

Coupled awning (only with motor drive) <sup>1)</sup>
2 fields, 1 motor, maximum width 1390 cm
3 fields, 1 motor, maximum width 1800 cm
maximum projection (depending on the width) 400 cm
junction roller
optionally with a one-piece cover (maximum of 2 fields / projection 350 cm / 15° pitch – without internal cover profile, drop valance not available)

1) **N.B!** Important background information can be found in the chapter “General Information”, in the section “Coupled Awnings”.

Awning cover	fabric range no.	standard	optional
sunvas	301.. / 309..-315..	✓	—
perla	370 ..	—	✓
sunsilk	324.. / 325.. / 328.. / 369..	✓	—
perla FR	374.. / 375..	—	✓
perfotex	331.. / 332..	—	—
transolair	338..	—	—
vuscreen Alu	317..	—	—
Soltis Perform 92	92-20..	—	—
glass fibre screen	272..	—	—
valance, height 20 cm		—	✓

Drop valance <sup>1)</sup>	standard	optional
height 150 cm or 190 cm		
maximum awning projection 300 cm <sup>2)</sup>		
winding handle	✓	—
hard-wired motor	—	—
radio-controlled motor io, 868 MHz	—	—
radio-controlled motor RTS, 433 MHz	—	—
cover	sunvas / sunsilk / transolair / vuscreen Alu <sup>3)</sup>	

1) in the case of coupled awnings (2 fields) the shadeplus / drop valance is driven by 2 separate gearboxes (on the outer left and right)

2) not available in the sizes 551–600 cm × 300 cm, sizes 601–650 cm × 300 cm on request

3) vuscreen Alu: maximum drop 170 cm

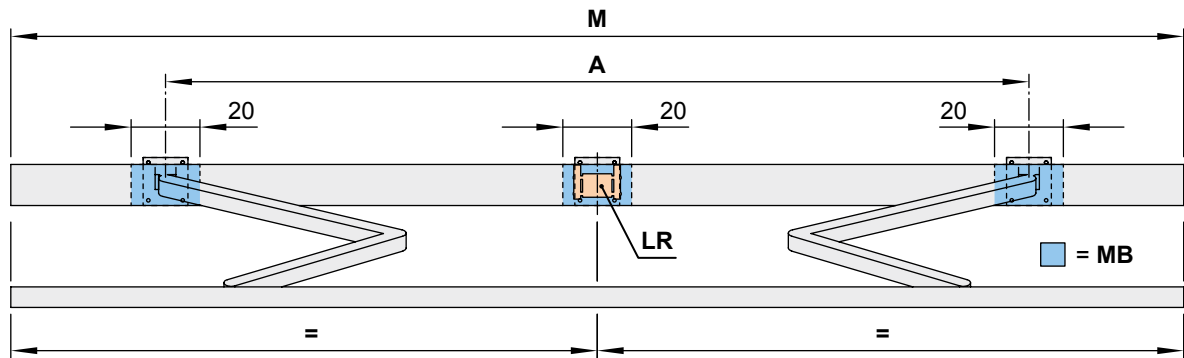
01	<b>Optional accessories</b>
	manual drop valance
02	folding arm technology with bionic tendon
	valance
03	wall sealing profile
	infrared heater 2000 W / 2500 W
04	infrared heater 2500 W with integrated radio-controlled receiver 868 MHz io
05	LED spotline – light bar 110 × 70 mm with 3 W LED spotlights, width 180 cm / 3 spots or 300 cm / 5 spots
<b>06</b>	LED spotline io – light bar 110 × 70 mm with 3 W LED spotlights with integrated dimmable radio-controlled receiver, width 180 cm / 3 spots or 300 cm / 5 spots
07	LED spotline io – light bar 145 × 75 mm with 5 W LED spotlights with integrated dimmable radio-controlled receiver and remote control, 180 cm / 3 spots or 300 cm / 5 spots (discontinued from January 2018)
08	Halogen spotline – light bar 89 mm × 40 mm with 20 W halogen spotlights, 200 cm / 3 spots or 300 cm / 5 spots
09	automatic controls (light, wind, rain)

**N.B!** Important background information can be found in the chapter “Optional Accessories”.

<b>Fixture brackets</b>	
face fixture bracket 150 mm, 5°–35°	77921.
face fixture bracket 150 mm, 38°–65°	77936.
spreader plate A 430 × 160 × 12 mm	75328.
spreader plate B 300 × 400 × 12 mm	75327.
stand-off bracket 80 mm–300 mm	77969.
top fixture bracket 135 mm, 5°–35°	77937.
top fixture bracket 150 mm, 38°–65°	77938.
eaves fixture bracket 150 mm, 5°–35°, 150 mm plate	77939.
eaves fixture bracket 150 mm, 5°–35°, 270 mm plate	77940.
flat plate and angled bracket for eaves fixture, machine finish aluminium, 500 mm plate	741290
spreader plate 260 × 60 × 12 mm for eaves fixture bracket	75383.
angled profile for eaves fixture 160 × 160 × 12 mm, machine finish aluminium, undrilled, by the metre (max. 3 m)	701809
bottom fixture bracket 150 mm, 5°–35°	77941.

## Bracket fixture range

Awning with 2 folding arms



dimensions in cm

		Overall awning width								
		250	300	350	400	450	500	550	600	650
Order dimensions		187	251	301	351	401	451	501	551	601
		250	300	350	400	450	500	550	600	650
		Arm position A								
H	150	172 <sup>1)</sup>	220	270	300	340	380	440	490	510
	200	222 <sup>2)</sup>	223 <sup>1)</sup>	270	300	340	380	440	490	510
	250	—	272 <sup>2)</sup>	273 <sup>1)</sup>	300	340	390	440	490	510
	300	—	—	322 <sup>2)</sup>	323 <sup>1)</sup>	340	390	440	490	510
	350	—	—	—	372 <sup>2)</sup>	373 <sup>1)</sup>	390	440	490	—
	400	—	—	—	—	422 <sup>2)</sup>	423 <sup>1)</sup>	440	—	—
		dimensions in cm								
BHT		No. of brackets   No. of fixing points								
W	15	2   8					3   12			
BP		A 2   16			B 2   8		A 2   16		B 2   8	
DP		—					1			
DA / DE	13.5	2   8			2   6		3   12		3   9	
		dimensions in cm								

If the brackets cannot be positioned in accordance with this table, make sure the actual dimensions are noted on the order form!

- 1) = coupled awning in intermediate widths available on request with junction roller
- 2) = please note the minimum widths! Dimension A is only valid for standard arms! Dimension A is 13 cm smaller in the case of bespoke arms. Coupled units are not available with junction roller.

**A** = arm position

**BHT** = bracket width

**BP** = spreader plate A or B, to be positioned behind the folding arm

**DA** = eaves fixture bracket

**DE** = top fixture bracket

**DP** = spacer plate 71644, to be positioned behind the rolltex bearing, in the case of spreader plate A or B

**H** = *order dimension* = projection

**LR** = rolltex bearing

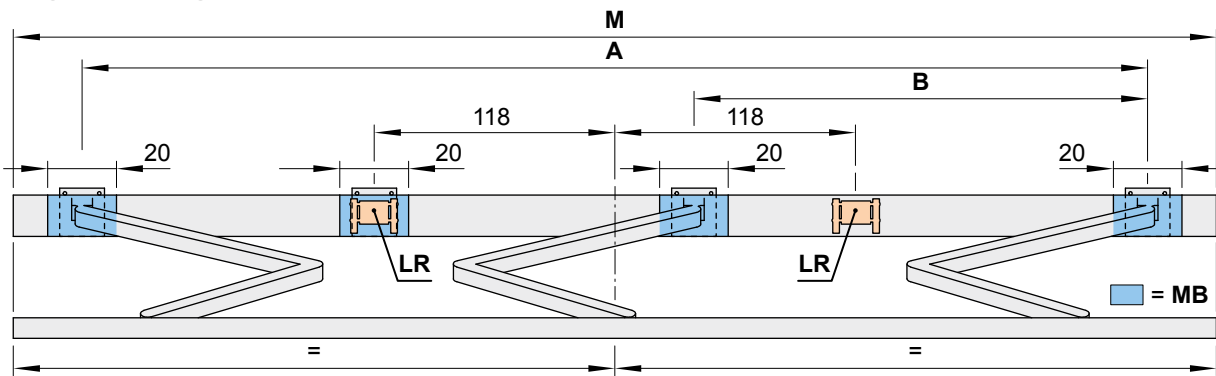
**M** = *order dimension* = awning width

**MB** = bracket fixture range

**W** = face fixture bracket

# Bracket fixture range

Awning with 3 folding arms



dimensions in cm

		Overall awning width									
		650					700				
Order dimensions		601	651	675	651	694	650	700	650	693	700
		650	674	700	693	700					
		Arm position									
		A	B	A	B	A	B	A	B	A	B
H	150	—	—	570	265	590	265	—	—	—	—
	200	—	—	570	240	590	240	—	—	—	—
	250	—	—	570	230	590	230	—	—	—	—
	300	566 <sup>2)</sup>	230 <sup>2)</sup>	570	230	590	230	—	—	—	—
	350	616 <sup>1)</sup>	225 <sup>1)</sup>	—	—	—	—	616 <sup>1)</sup>	225 <sup>1)</sup>	622	230
	400	—	—	—	—	—	—	—	—	666 <sup>1)</sup>	230 <sup>1)</sup>

dimensions in cm

BHT		No. of brackets   No. of fixing points	
W	150	4   16	
BP		A 3   24	B 3   12
DP		1	
DA / DE	135	4   16	

dimensions in mm

If the brackets cannot be positioned in accordance with this table, make sure the actual dimensions are noted on the order form!

- 1) = please note the minimum widths! Dimension A is only valid for standard arms! Dimension A is 13 cm smaller in the case of bespoke arms. Coupled units are not available with junction roller.
- 2) = awning only available with 3 folding arms if equipped with shadeplus / drop valance – available on request
- A, B = arm position
- BHT = bracket width
- BP = spreader plate A or B, fixture position at folding arm bearing
- DA = eaves fixture bracket
- DE = top fixture bracket
- DP = spacer plate 71644, fixture position at rolltex-bearing, if spreader plate A or B is to be used
- H = order dimension = projection
- LR = rolltex bearing
- M = order dimension = awning width
- MB = bracket fixture range
- W = face fixture bracket

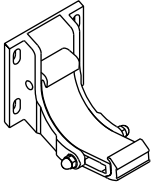
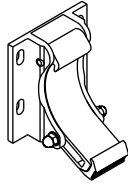
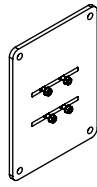
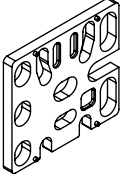
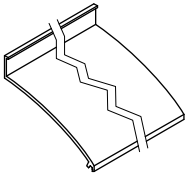
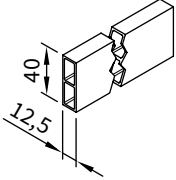
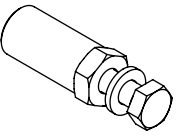


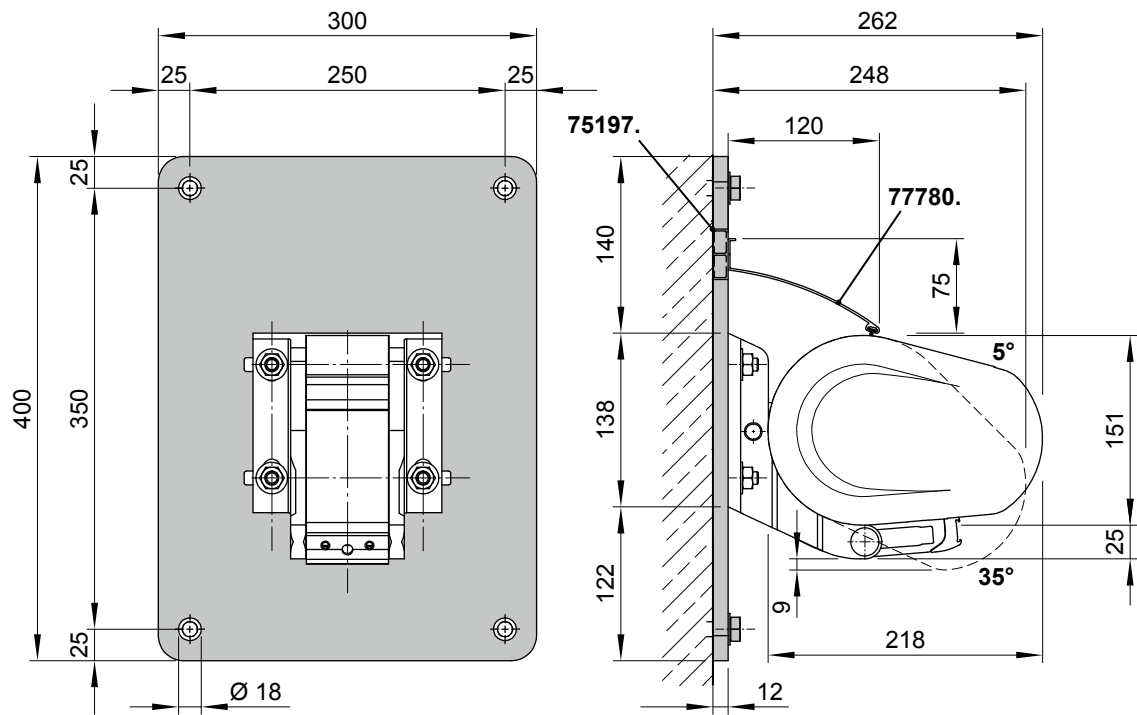




# Face fixture with spreader plate B

Fixtures, fittings and accessories

 <p>face fixture bracket 150 mm 5°-35°</p> <p><b>77921.</b></p>	 <p>face fixture bracket 150 mm 38°-65°</p> <p><b>77936.</b></p>	 <p>spreader plate B 300 × 400 × 12 mm</p> <p><b>75327.</b></p>
 <p>spacer plate for face fixture 150 × 136 × 12 mm</p> <p><b>71644.</b></p>	 <p>wall sealing profile available by the metre</p> <p><b>77780.</b></p>	 <p>stand-off strip for wall sealing profile available by the metre</p> <p><b>751971</b></p>
 <p>bolt reduction assembly pack 10 pcs</p> <p>M 16 → M 12   M 16 → M 10   M 12 → M 10   M 10 → M 10</p>		

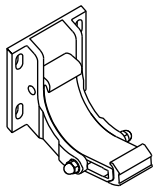


dimensions in mm

01  
02  
03  
04  
05  
**06**  
07  
08  
09  
10  
11  
12  
13  
14  
15  
16  
17

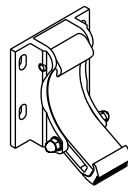
01 **Face fixture with spacer bracket**

02 Fixtures, fittings and accessories



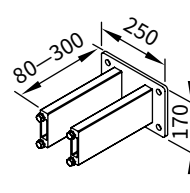
face fixture bracket  
150 mm  
5°-35°

05 **77921.**



face fixture bracket  
150 mm  
38°-65°

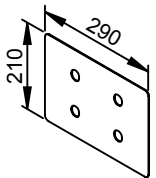
**77936.**



stand-off bracket  
for face-fixture bracket  
77921. and 77936.

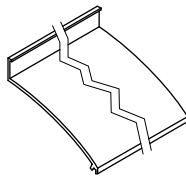
**77969.**

06



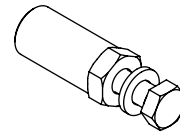
cover plate  
for spacer plate  
and stand-off brackets  
in the case of external  
insulation  
290 × 210 × 2 mm

07 **71841.**



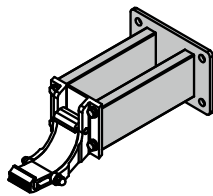
wall sealing profile  
available by the metre

08 **77780.**

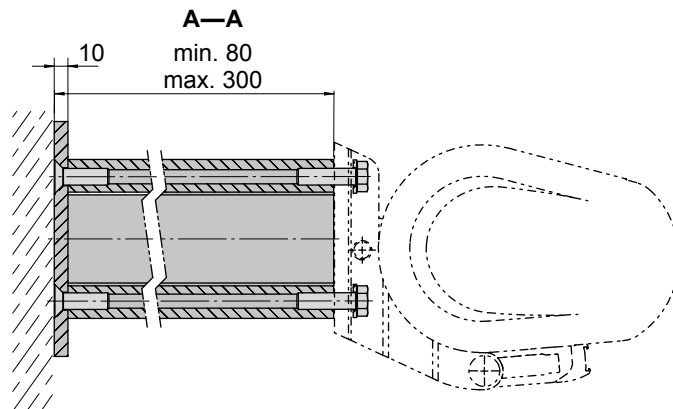
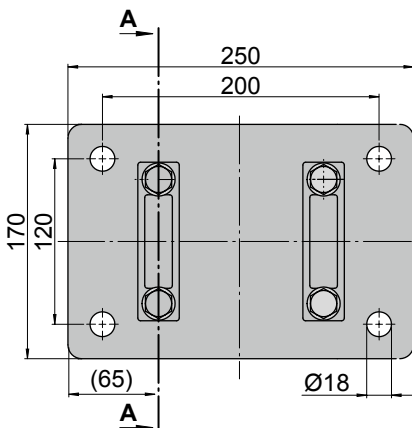


bolt reduction  
assembly  
pack 10 pcs

09 M 16 → M 12 | M 16 → M 10 | M 12 → M 10 | M 10 → M 10



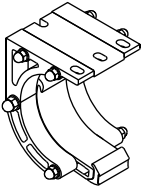
**77969.**



dimensions in mm

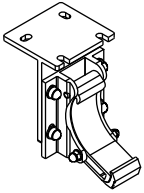
# Top fixture

## Fixtures, fittings and accessories



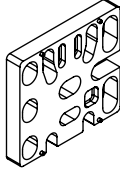
top fixture bracket  
135 mm  
5°-35°

**77937.**



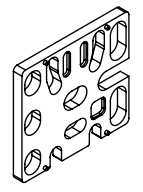
top fixture bracket  
150 mm  
38°-65°

**77938.**



spacer plate for top fixture  
150 × 136 × 20 mm  
**N.B!** stack to a max. height of 200 mm

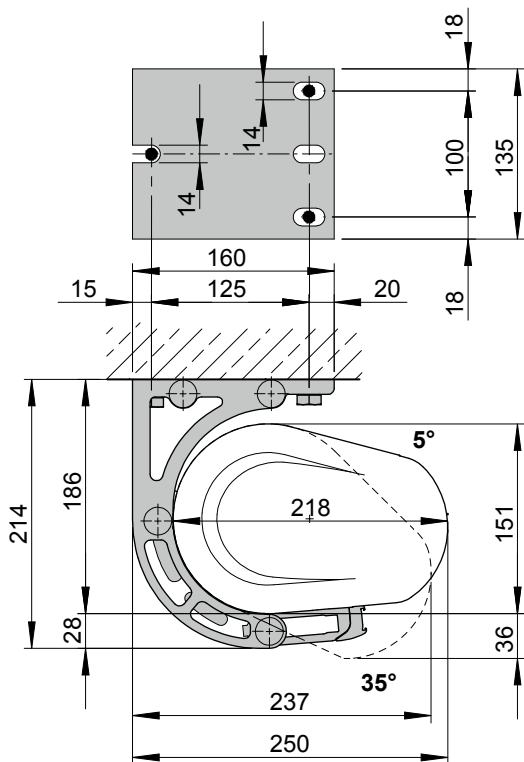
**716331**



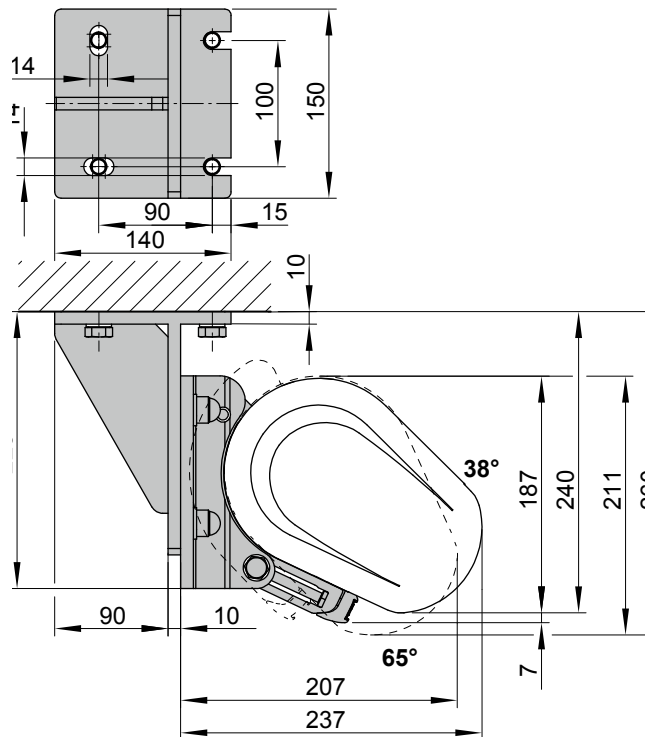
spacer plate for top fixture  
150 × 136 × 12 mm

**71644.**

With top fixture bracket 135 mm 5°-35° (77937.)



With top fixture bracket 150 mm 38°-65° (77938.)



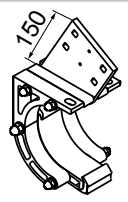
dimensions in mm

01  
02  
03  
04  
05  
**06**  
07  
08  
09  
10  
11  
12  
13  
14  
15  
16  
17

01  
02  
03  
04  
05  
  
06  
07  
08  
09  
10  
11  
12  
13  
14  
15  
16  
17

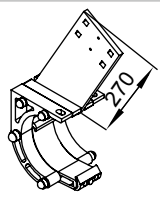
# Eaves fixture

## Fixtures, fittings and accessories



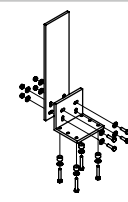
eaves fixture bracket  
150 mm  
5°-35°

**77939.**



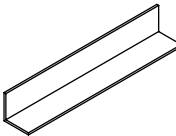
eaves fixture bracket  
270 mm  
5°-35°

**77940.**



flat plate and angled bracket for eaves fixture machine finish

**741290**

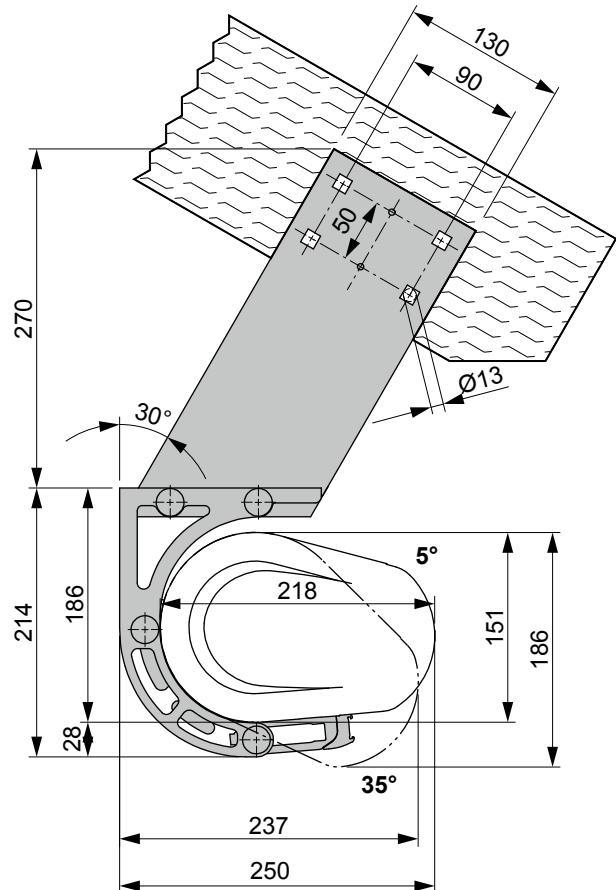
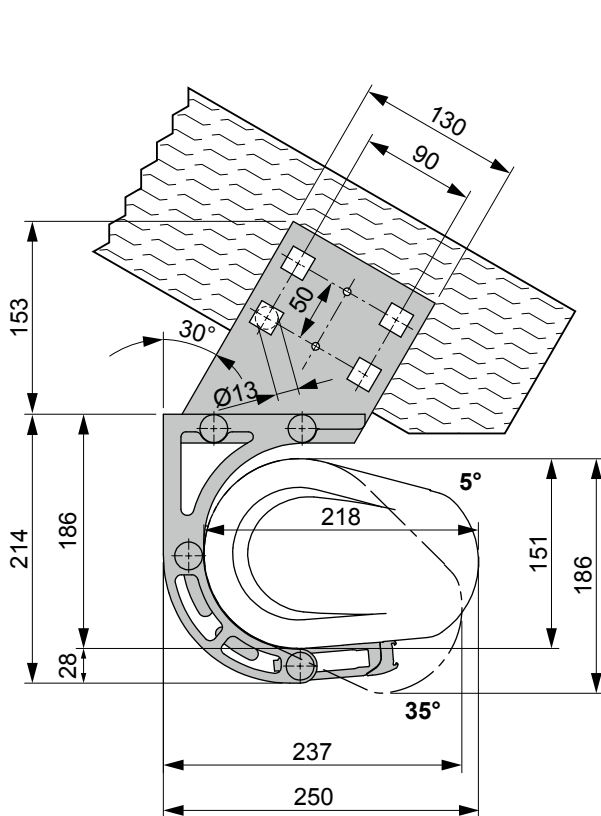


angled profile eaves fixture bracket  
160 × 160 × 12 mm  
available by the metre not pre-drilled

**701809**

With eaves fixture bracket, 150 mm plate (77939.)

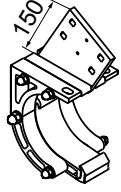
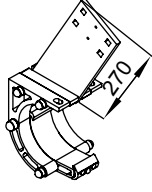
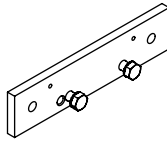
With eaves fixture bracket, 270 mm plate (77940.)



dimensions in mm

# Eaves fixture with additional plate

Fixtures, fittings and accessories

 <p>eaves fixture bracket 150 mm 5°-35°</p> <p><b>77939.</b></p>	 <p>eaves fixture bracket 270 mm 5°-35°</p> <p><b>77940.</b></p>	 <p>supplementary flat plate for eaves fixture 260 × 60 × 12 mm</p> <p><b>75383.</b></p>
---	---	---

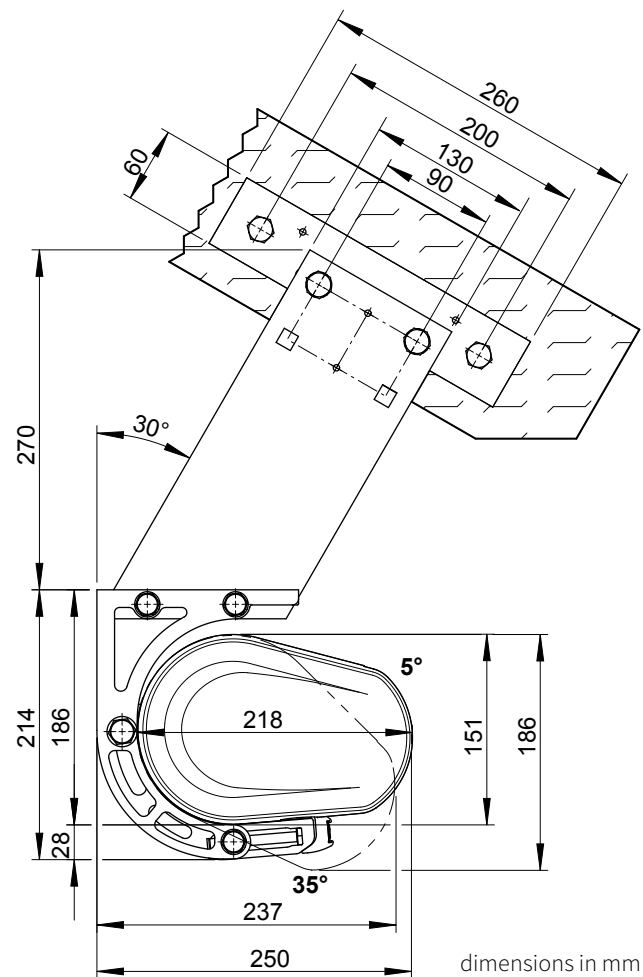
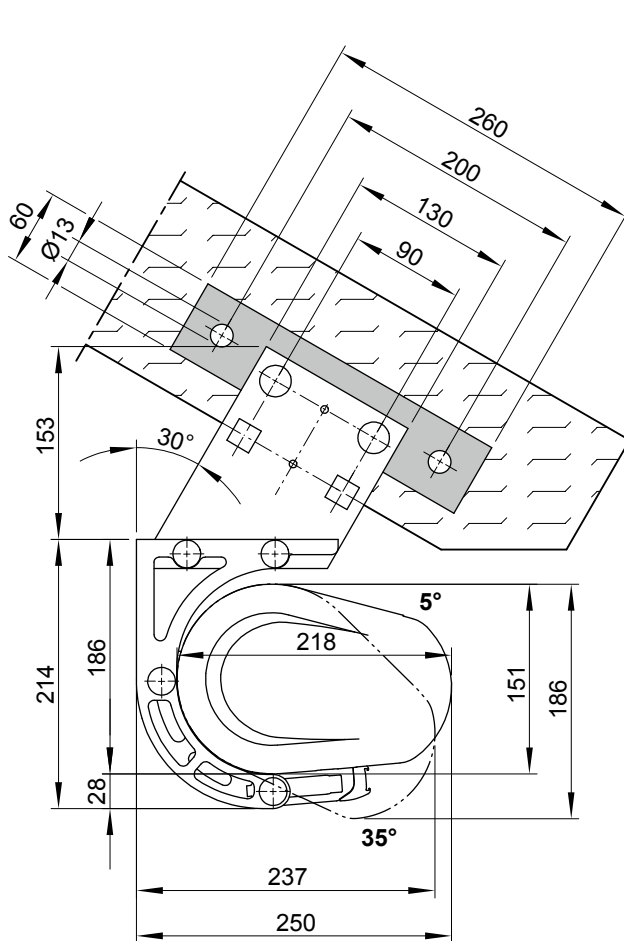
01  
02  
03  
04  
05

**06**

07  
08  
09  
10  
11  
12  
13  
14  
15  
16  
17

With eaves fixture bracket, 150 mm plate (77939.)

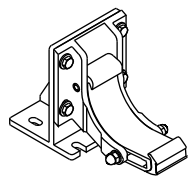
With eaves fixture bracket, 270 mm plate (77940.)



dimensions in mm

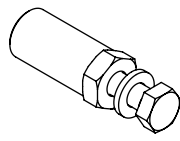
01 **Bottom fixture**

02 Fixtures, fittings and accessories



bottom fixture  
5°-35°

05 **77941.**

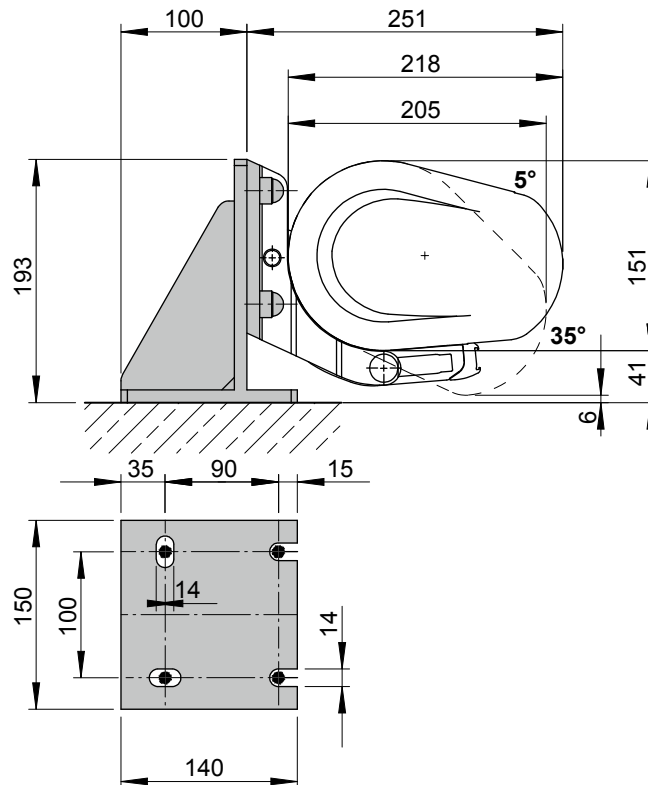


bolt reduction  
assembly  
pack 10 pcs

M 16 → M 12 | M 16 → M 10 | M 12 → M 10 | M 10 → M 10

06

07  
08  
09  
10  
11  
12  
13  
14  
15  
16  
17

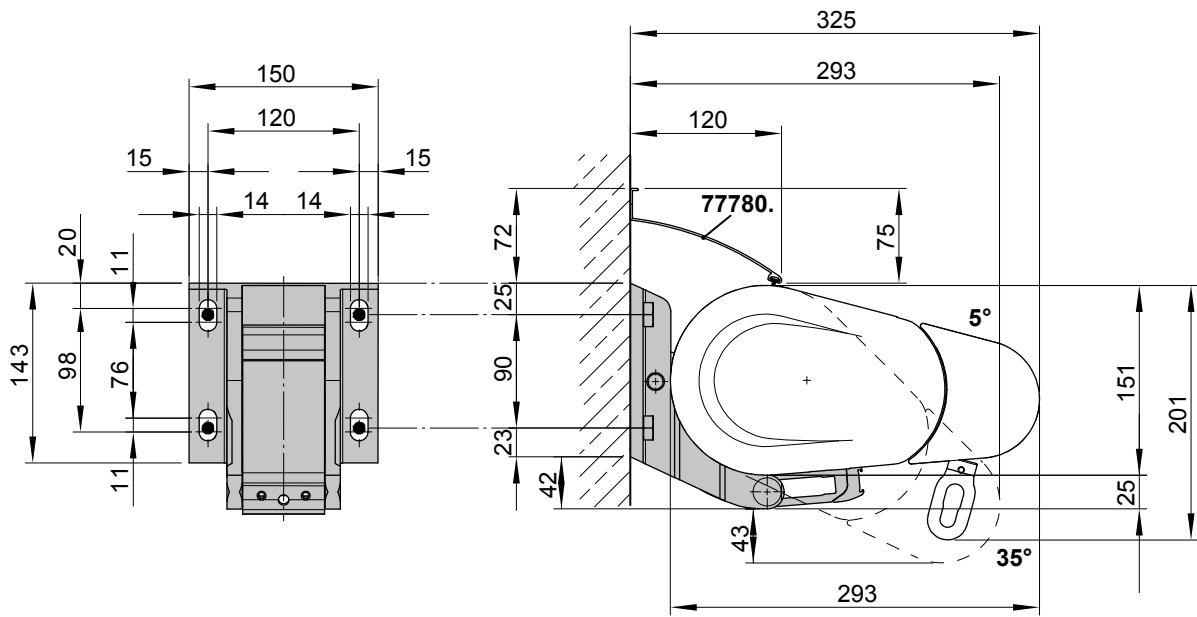


dimensions in mm

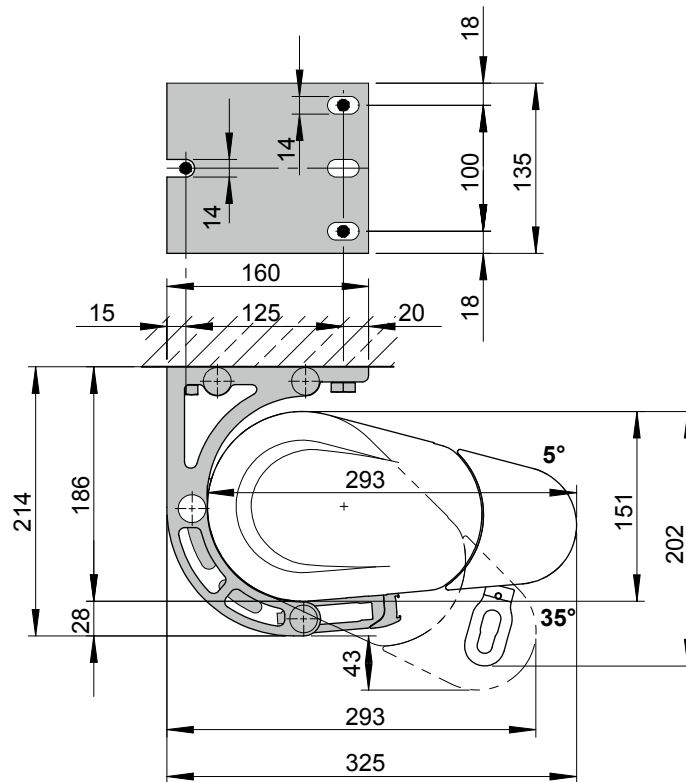


# Awning with shadeplus / drop valance

Face fixture



Top fixture

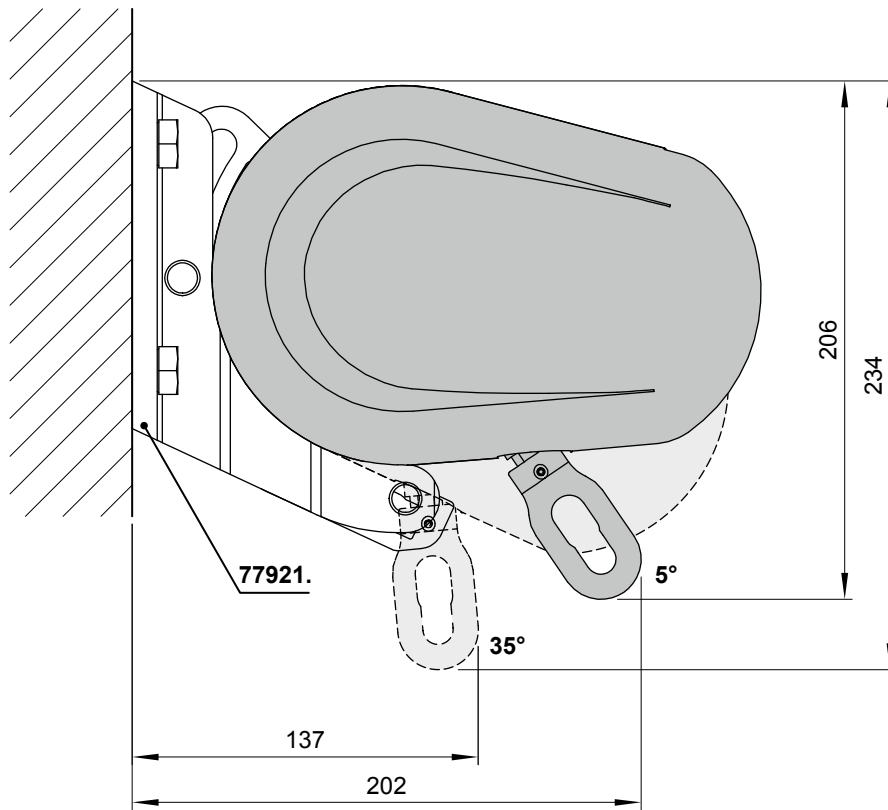


dimensions in mm

01  
02  
03  
04  
05  
**06**  
07  
08  
09  
10  
11  
12  
13  
14  
15  
16  
17

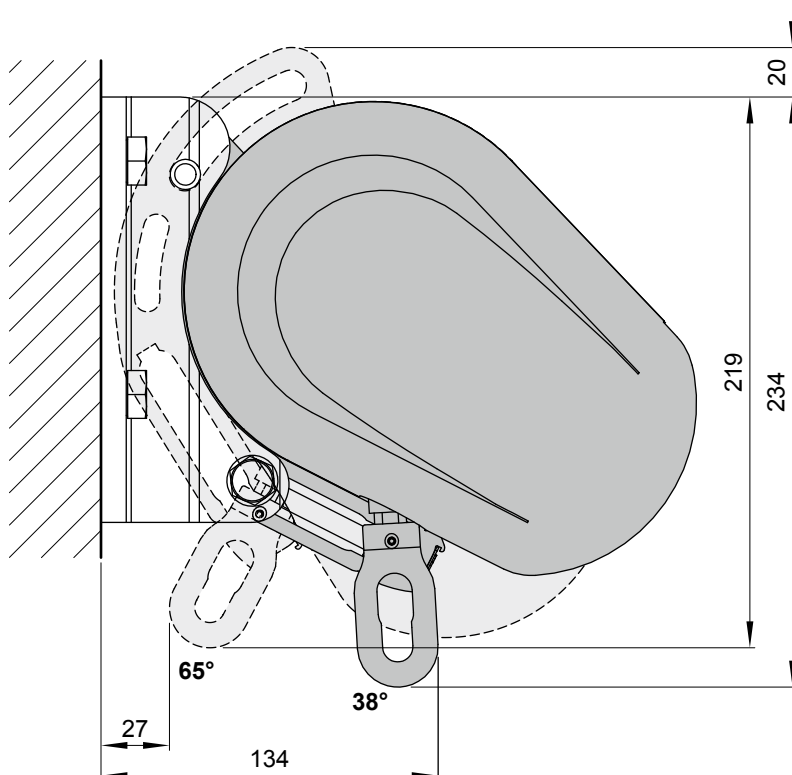
01 **Face fixture, manual operation, gearbox eye position**

02 Dimensions at a pitch of 5°-35°



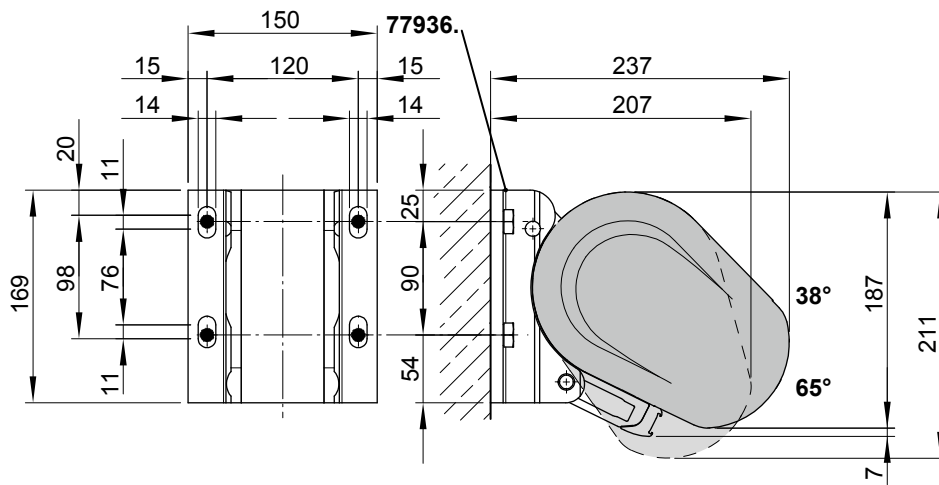
14

15 Dimensions at a pitch of 38°-65°

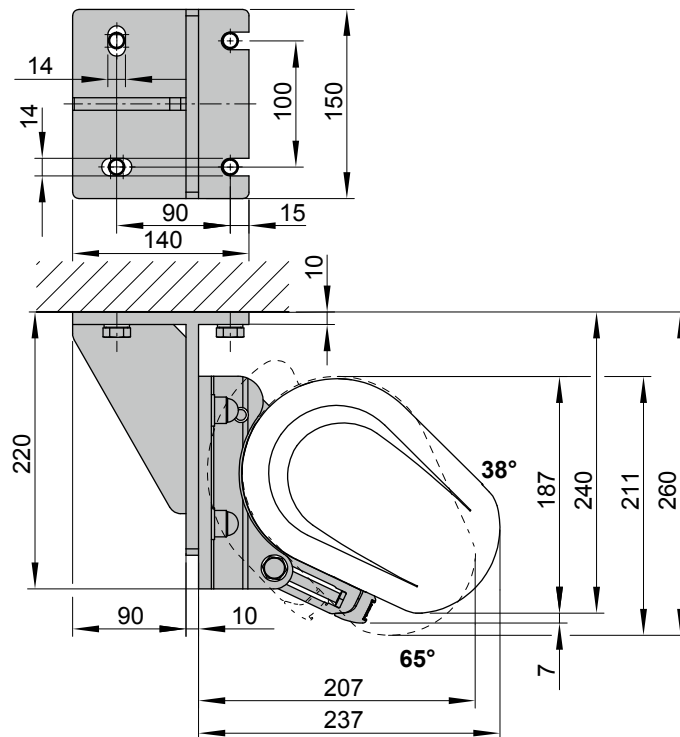


dimensions in mm

Face fixture, motor drive, dimensions at a pitch of 5°–35°



Top fixture, motor drive, dimensions at a pitch of 38°–65°



dimensions in mm

01  
02  
03  
04  
05  
**06**  
07  
08  
09  
10  
11  
12  
13  
14  
15  
16  
17

01 Motor cable exit point

02

03

04

05

06

07

08

09

10

11

12

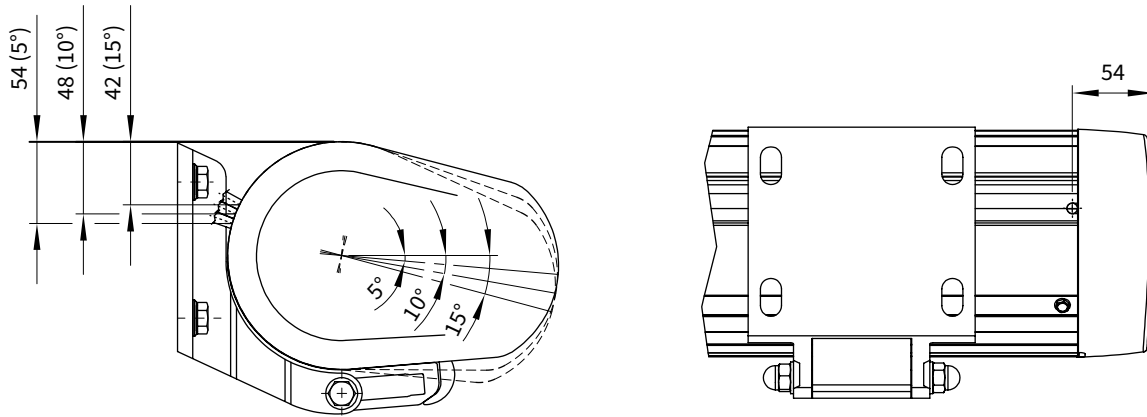
13

14

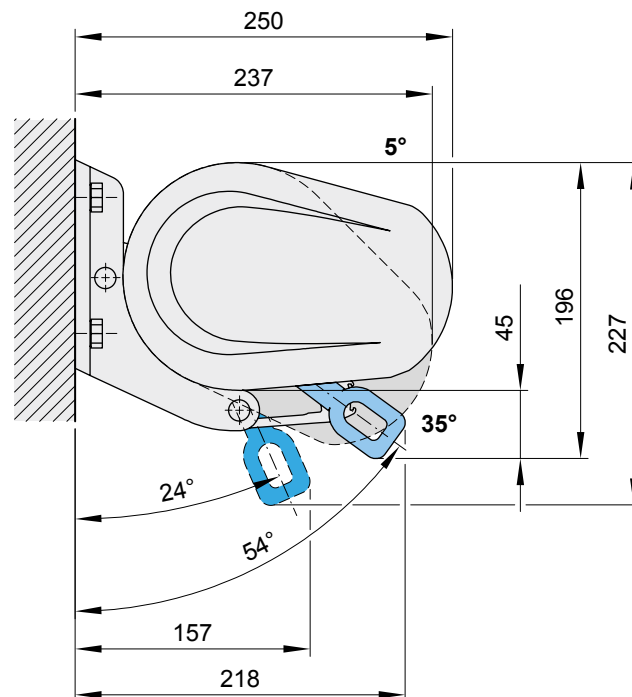
15

16

17



Face fixture, radio-controlled motor with manual override



dimensions in mm