



Vertical cassette blind

markilux 710 / 810

Compact cassette blind with cable guides.

01 **Product characteristics**

Wind resistance class 2

Beaufort 5 → 7.5–10.4 m/s → 28–37 km/h → 17–23 mph

02 markilux 710

markilux 810

03

04

05

06

07

08

09



face fixture,
standard gearbox operation

top fixture,
motor operation ¹⁾

face fixture,
standard gearbox operation

top fixture,
motor operation ¹⁾

10

11

12

13

14



15

16

17

18

19

20



1) optional configuration

Product characteristics

Description

- vertical blind with cable guides and gravity-fed cover tensioning system – for areas up to 17.5 m².

Special features

- fully encompassing cassette that protects the cover perfectly
- compact cassette profile that lends an attractive appearance to the unit
- unobtrusive cable guides at the side
- option of manual operation from inside the building, drive shaft passes through the wall

Dimensions

- single unit: 74 cm – 500 cm in width, maximum height 350 cm
- maximum width × height: 500 cm × 350 cm
- intermediate sizes are available

Roller tube and lateral bearings

- round roller tube Ø 63 mm with keyway, galvanised steel
- the roller tube bearing is made of stainless steel

Blind profiles

- extruded aluminium, in façade quality, powder coated
- markilux 710: cassette profile in one piece, square, height × depth 95 mm × 95 mm
- markilux 810: cassette profile in two pieces, round tear-shaped, Ø 115 mm
- front profile round, Ø 32 mm
- guide cables in stainless steel, coated in transparent plastic, Ø 3 mm

Side caps

markilux 710:

- the cassette end caps are made of high-quality plastic, powder coated
- the bottom profile end caps are made of high-quality plastic, dyed right through, RAL 7011 steel grey

markilux 810:

- the cassette end caps are made of high-quality plastic, powder coated
- the bottom profile end caps are made of high-quality plastic, dyed right through, RAL 7011 steel grey

Fixture brackets

- extruded aluminium, powder coated
- cassette brackets: face fixture, top fixture, reveal fixture
- bracket assemblies for the guide cables: universal brackets with tensioning mechanism
- other accessories are available

01

02

03

04

05

06

07

08

09

10

11

12

13

14

15

16

17

18

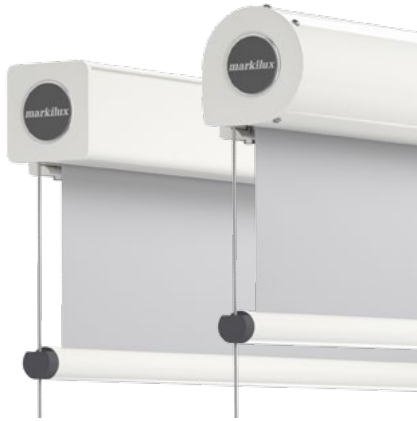
19

20

01 **Frame colours**

02 markilux blind colours without surcharge

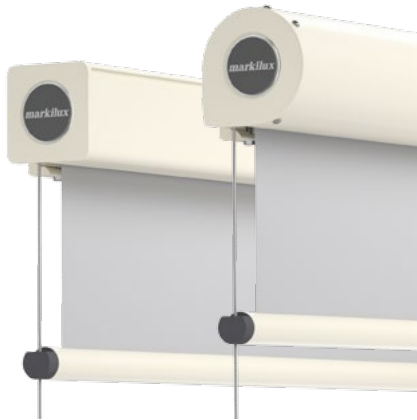
03 traffic white RAL 9016



04 metallic aluminium RAL 9006



05 grey brown, similar to RAL 8019

06 off-white textured finish, 5233 ¹⁾07 stone grey metallic, 5215 ¹⁾08 anthracite metallic, 5204 ¹⁾

10

11 Havana brown textured finish, 5229 ¹⁾12 **Non-standard powder-coated finish**

13 Bespoke frame colours at a surcharge – matt, metallic and pearl finishes as well as other colour ranges (DB, Tiger etc.) on request.
 14 All frame colours are available at a surcharge with enhanced corrosion protection.

15 **1)** textured finish

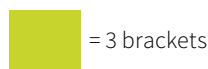
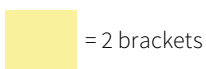
16 Colours may differ slightly from those depicted in both hue and finish.

Dimensions and configuration options

Single unit

		Overall blind width								Minimum width		
		100	150	200	250	300	350	400	450	500	Hard-wired motor	Radio-contr. motor
Order dimensions		50	101	151	201	251	301	351	401	451	75	74
		100	150	200	250	300	350	400	450	500		
AH	120											
	160											
	200											
	250											
	300											
	350											

AH = unit height



dimensions in cm

Operation

	standard	optional
crank handle	✓	—
crank handle, operation from the rear	—	✓
crank handle, interior operation	—	✓
hard-wired motor	—	✓
radio-controlled motor io, 868 MHz	—	✓
radio-controlled motor RTS, 433 MHz	—	✓

Coupled Blind

not available

Optional accessories

automatic controls (light, wind, rain)

N.B! – Important background information can be found in the chapter “Optional Accessories”.

Blind cover

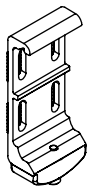
	fabric range no.	standard	optional	model	overall blind width	unit height	cover manuf.
sunvas	301.. / 309..-315..	✓	—	710	≤ 300	≤ 300	LN
				810			LN
sunsilk	324.. / 325.. / 328.. / 369..	✓	—	710	≤ 300	≤ 300	LN
				810			LN
perfotex	331.. / 332..	✓	—	710	≤ 250	≤ 250	LN
				810			LN
sunvas (250 cm)	31008, -09, -13, -16, -18, -25, 27, -28, -31, -36, -37, -57, -58, 31109, -14, -17	✓	—	710 / 810	≤ 250	≤ 250	N
transolair	338..	—	✓	710 / 810	≥ 251 ≤ 400	≤ 240	N
				710 / 810	≥ 251 ≤ 400	≥ 241	QN
sunvas (320 cm)	31008, -09	✓	—	710 / 810	≤ 320	≤ 310	N
				710 / 810	≥ 321 ≤ 400	≤ 310	N
				710 / 810	≥ 321 ≤ 400	≥ 311	QN
vuscreen Alu	317..	—	✓	710	≤ 250	≤ 250	N
				810	≤ 250	≤ 250	N
				810	≥ 251 ≤ 400	≤ 240	N
				810	≥ 251 ≤ 400	≥ 241	QN
Soltis Perform 92	92-20..	—	✓	710 / 810	≤ 185	≤ 172	N
				710 / 810	≤ 185	≤ 172	N
				710 / 810	≥ 186	≥ 173	QN
perla	370..	—	—	—	—	—	—
perla FR	374.. / 375..	—	—	—	—	—	—

dimensions in cm

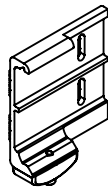
N = seamless

LN = vertical seams, panel width usually 120 cm

QN = horizontal seam

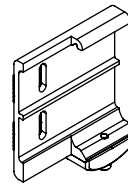
01 **markilux 710**02 **Fixtures, fittings and accessories**

Face fixture bracket
50 mm

78797.

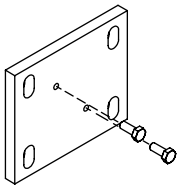
face fixture bracket
with fishplate for lateral
fixture, right

N.B!
not for the operation side:
• interior operation
• operation from
the rear

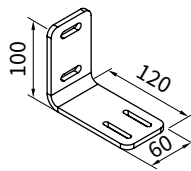
78920.

face fixture bracket
with fishplate for lateral
fixture, left

N.B!
not for the operation side:
• interior operation
• operation from
the rear

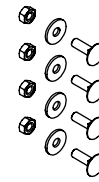
78921.

spreader plate
for face fixture /
universal bracket
120 × 100 × 10 mm

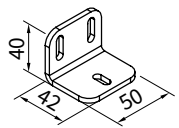
78982.

additional angled bracket
for reveal fixture

100 × 120 × 60 mm
please order additional
accessories 792931

77220.

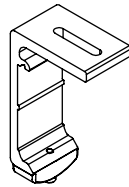
accessories for two
angled brackets 77220.
or 78565.

792931

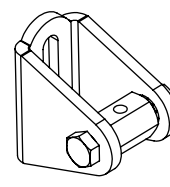
additional angled bracket
for reveal fixture of the
guide cable

40 × 40 × 50 mm

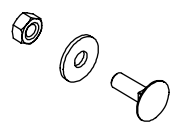
please order additional
accessories 792931

78565.

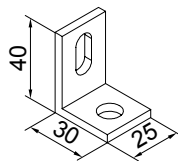
top fixture bracket
50 mm

78859.

accessories
for 2 tensioning cables

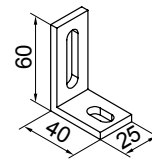
78761.

accessories for one
angled bracket 70930.,
70940. or 79050.

799141

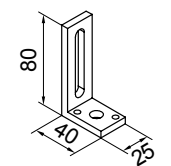
angled bracket
40 × 30 × 25 mm

please order additional
accessories 799141!

70950.

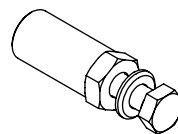
angled bracket
60 × 40 × 25 mm

please order additional
accessories 799141!

70940.

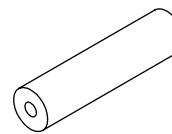
angled bracket
80 × 40 × 25 mm

please order additional
accessories 799141!

70930.

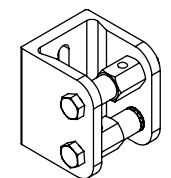
bolt reduction assembly
M 10 → M 6 / SW 13

pack 10 pcs

753211

stand-off fixing tube
30 × 10 × 1000 mm

N.B!
max. stand-off distance
120 mm

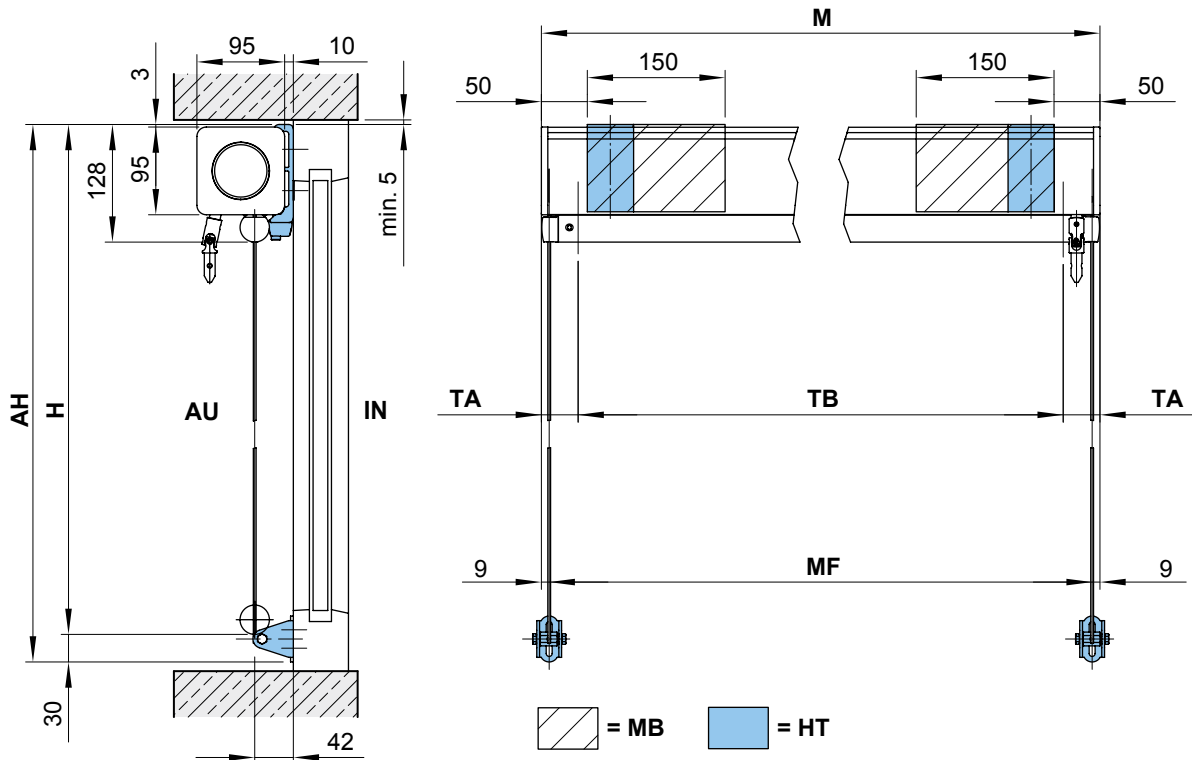
701668

bracket assembly for
2 guide cables

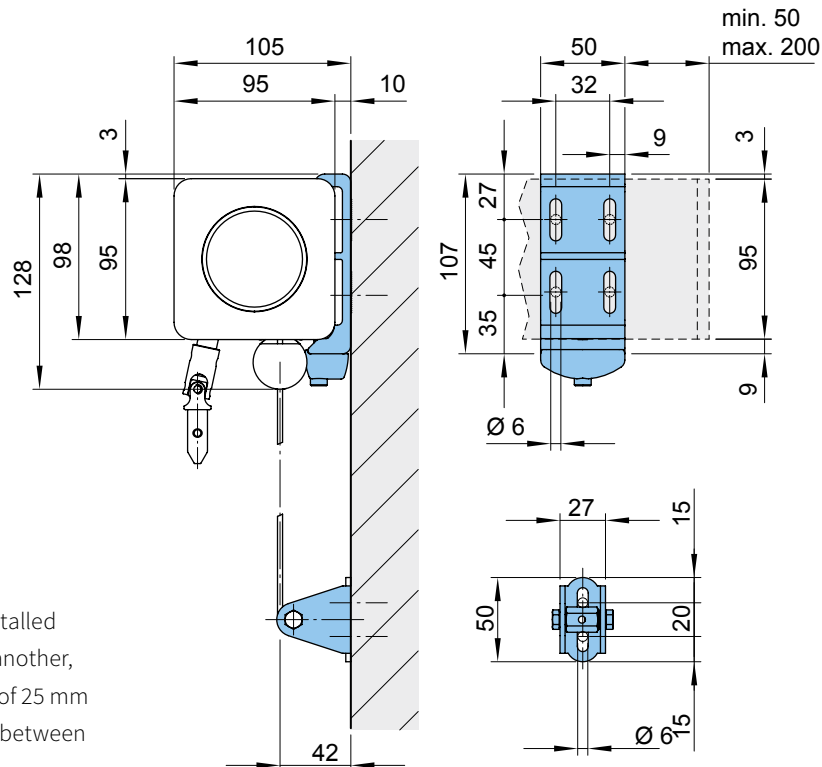
78910.

markilux 710

Dimension overview



Face fixture



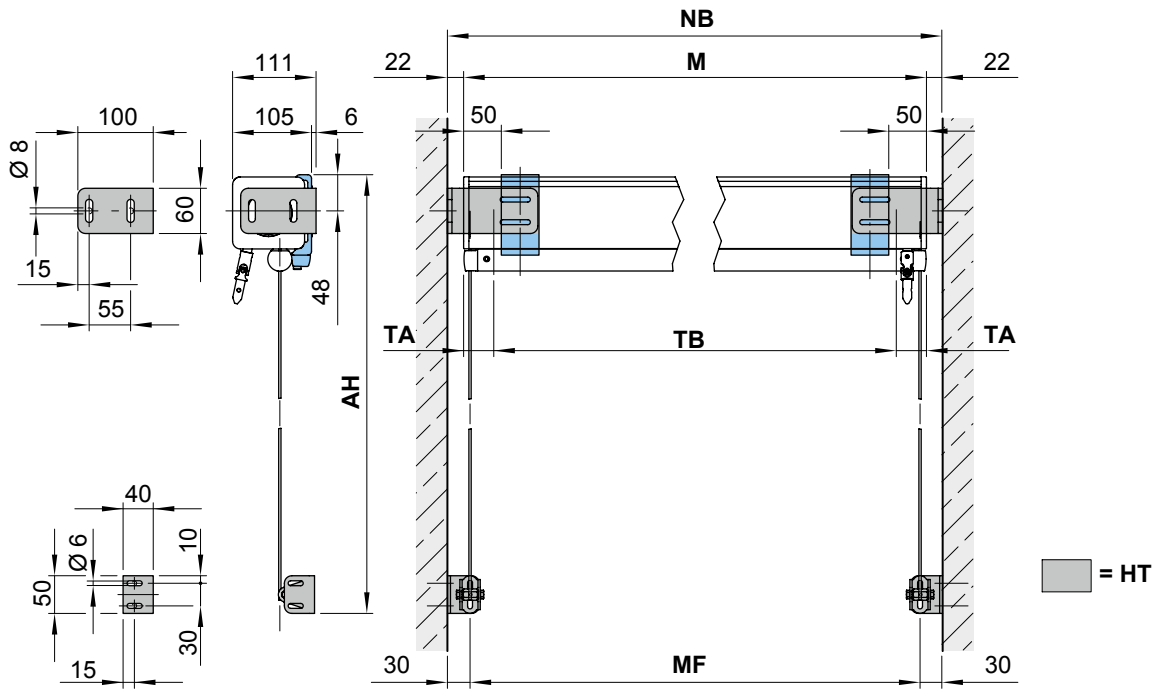
N.B.! If blinds are installed directly next to one another, a minimum distance of 25 mm must be maintained between the two blinds.

- AH** = unit height
- AU** = exterior
- H** = drop
- HT** = bracket
- IN** = interior

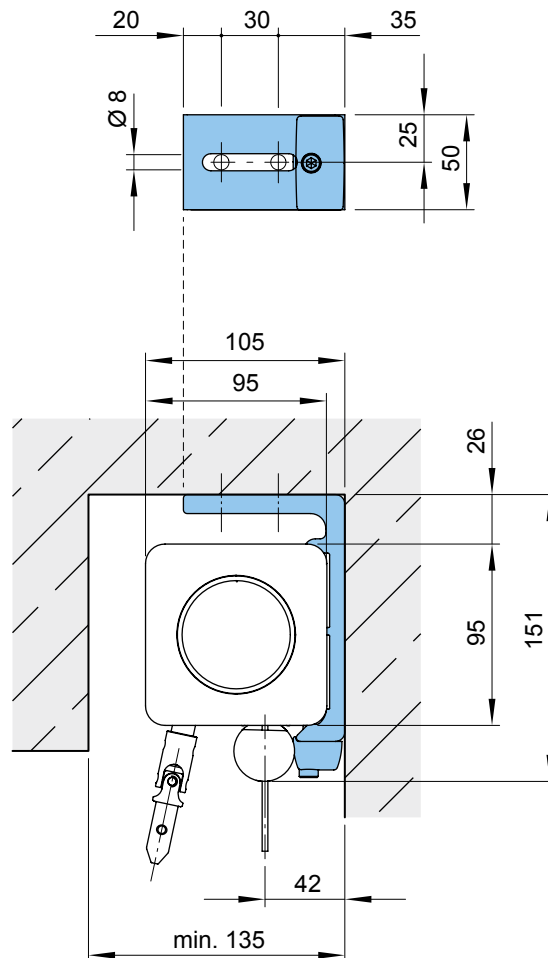
- M** = overall blind width
 - MB** = bracket fixture range
 - MF** = centre of the cable guide, centre of the stainless steel guide rod, fixture width
 - TA** = cover width deductions (operation side = 50 mm, bearing side = 30 mm)
 - TB** = cover width
- dimensions in mm

01 **markilux 710**

02 Reveal fixture, manual operation or motor drive



10 **Reveal fixture in a top window well, manual operation**

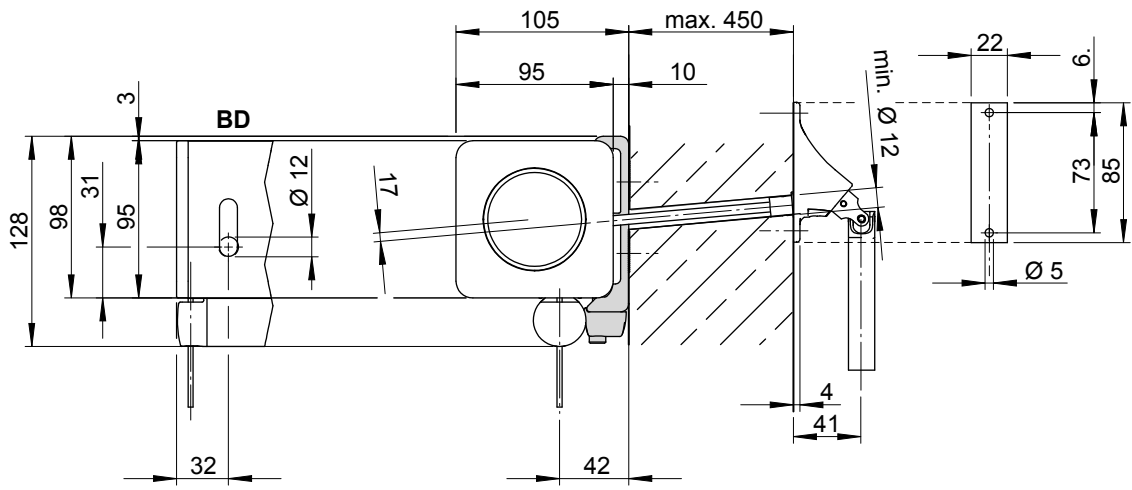


- AH = unit height
- HT = bracket
- M = overall blind width
- MF = centre of the cable guide, centre of the stainless steel guide rod, fixture width
- NB = reveal width
- TA = cover width deductions
(operation side = 50 mm, bearing side = 30 mm)
- TB = cover width

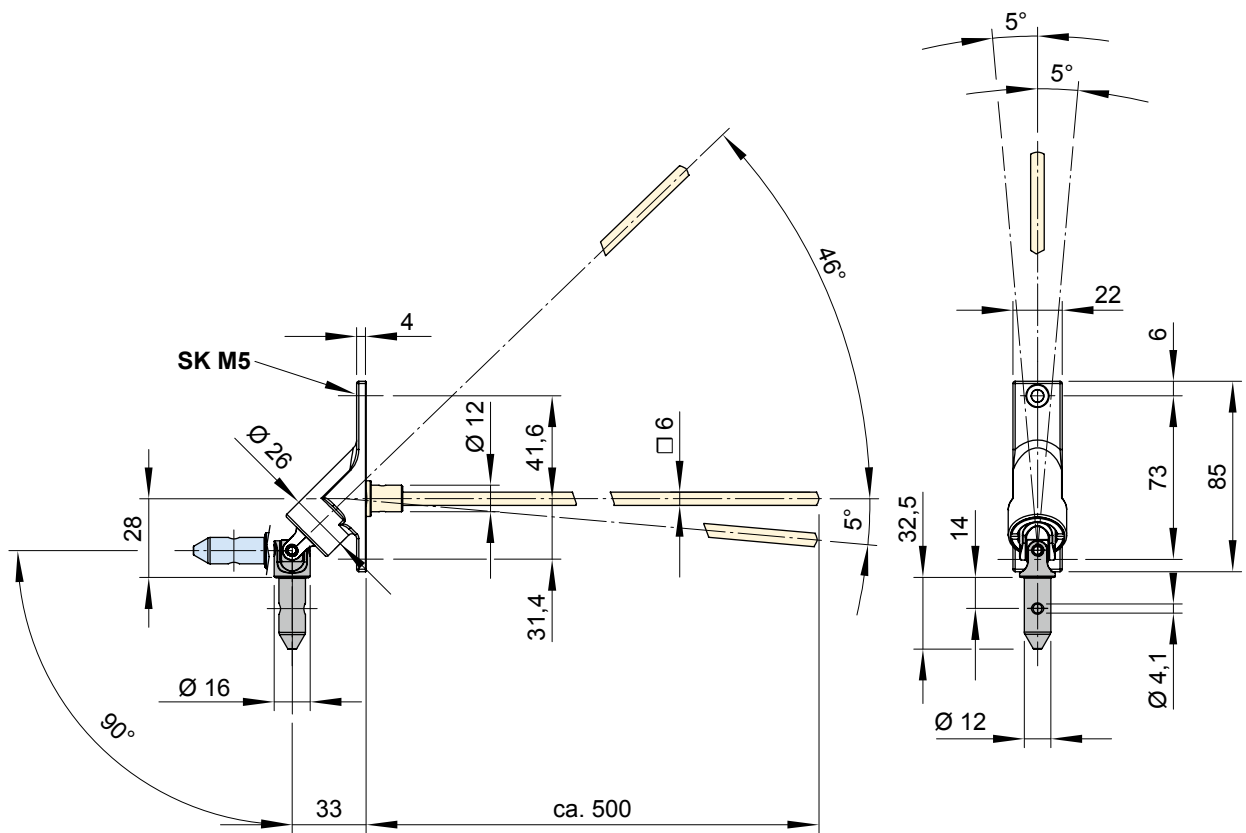
dimensions in mm

markilux 710

Face fixture, manual operation with interior operation



Handle for interior operation



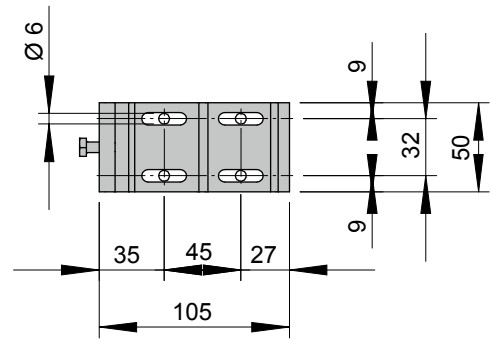
BD = horizontal drill hole
SK = countersunk screw hole M5

dimensions in mm

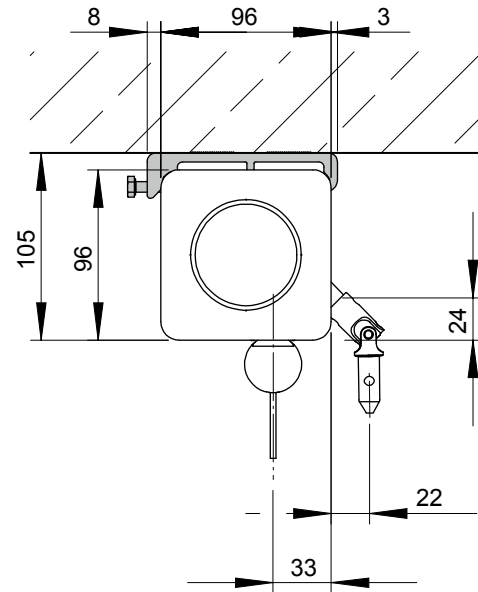
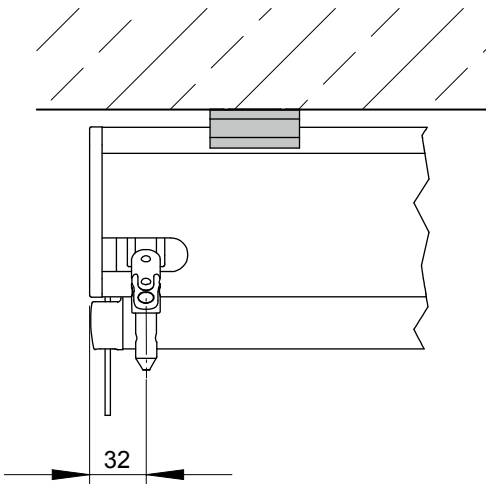
01 **markilux 710**

02 Crank handle, operation from the rear

03
04
05
06
07
08
09

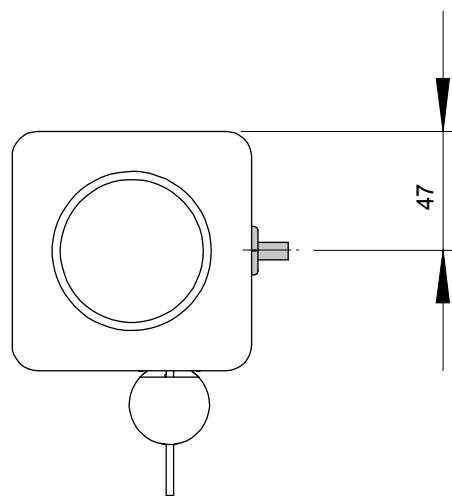
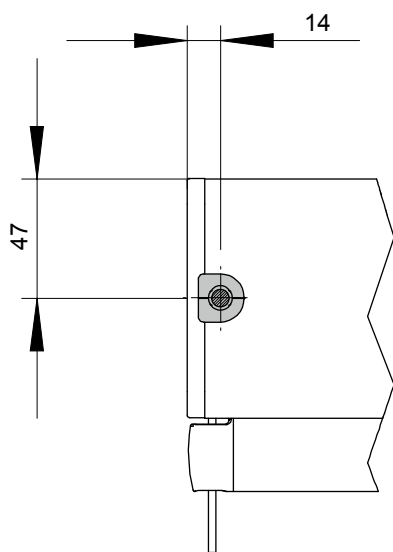


10
11
12
13
14



16 Motor cable exit point

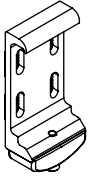
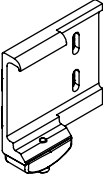
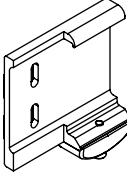
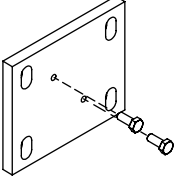
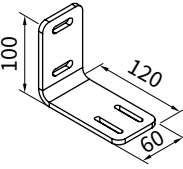

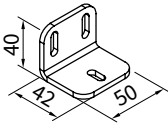
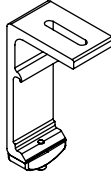
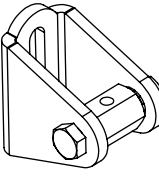
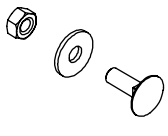
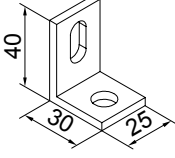
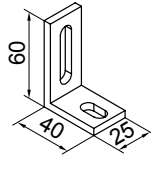
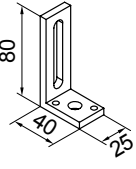
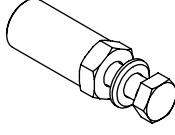
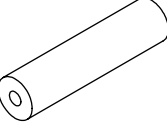
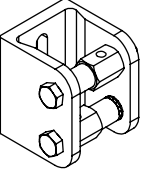
17
18
19
20



dimensions in mm

markilux 810

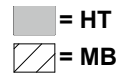
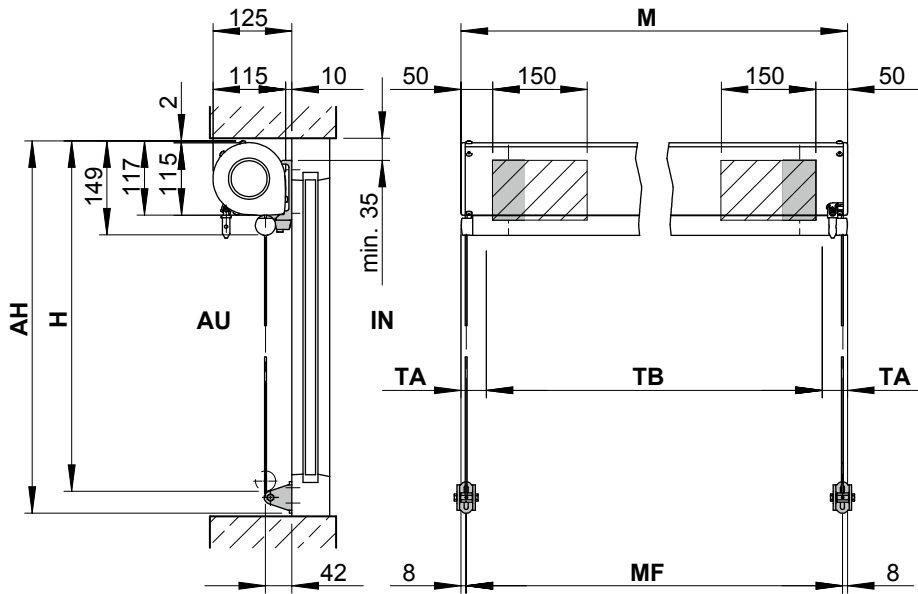
Fixtures, fittings and accessories

 <p>Face fixture bracket 50 mm</p> <p>78726.</p>	 <p>face fixture bracket with fishplate for lateral fixture, right</p> <p>N.B! not for the operation side:</p> <ul style="list-style-type: none"> interior operation operation from the rear <p>78748.</p>	 <p>face fixture bracket with fishplate for lateral fixture, left</p> <p>N.B! not for the operation side:</p> <ul style="list-style-type: none"> interior operation operation from the rear <p>78749.</p>
 <p>spreader plate for face fixture / universal bracket 120 × 100 × 10 mm</p> <p>78952.</p>	 <p>additional angled bracket for reveal fixture 100 × 120 × 60 mm please order additional accessories 792931</p> <p>77220.</p>	 <p>accessories for two angled brackets 77220. or 78565.</p> <p>792931</p>
 <p>angled plate for reveal fixture of guide cable 40 × 40 × 50 mm please order additional accessories 792931</p> <p>78565.</p>	 <p>top fixture bracket 50 mm</p> <p>78727.</p>	 <p>accessories for 2 tensioning cables</p> <p>78761.</p>
 <p>accessories for one angled bracket 70930., 70940. or 79050.</p> <p>799141</p>	 <p>angled bracket 40 × 30 × 25 mm please order additional accessories 799141!</p> <p>70950.</p>	 <p>angled bracket 60 × 40 × 25 mm please order additional accessories 799141!</p> <p>70940.</p>
 <p>angled bracket 80 × 40 × 25 mm please order additional accessories 799141!</p> <p>70930.</p>	 <p>bolt reduction assembly M 10 → M 6 / SW 13 pack 10 pcs</p> <p>753211</p>	 <p>stand-off fixing tube 30 × 10 × 1000 mm N.B! max. stand-off distance 120 mm</p> <p>701668</p>
 <p>bracket assembly for 2 guide cables</p> <p>78910.</p>		

01
02
03
04
05
06
07
08
09
10
11
12
13
14
15
16
17
18
19
20

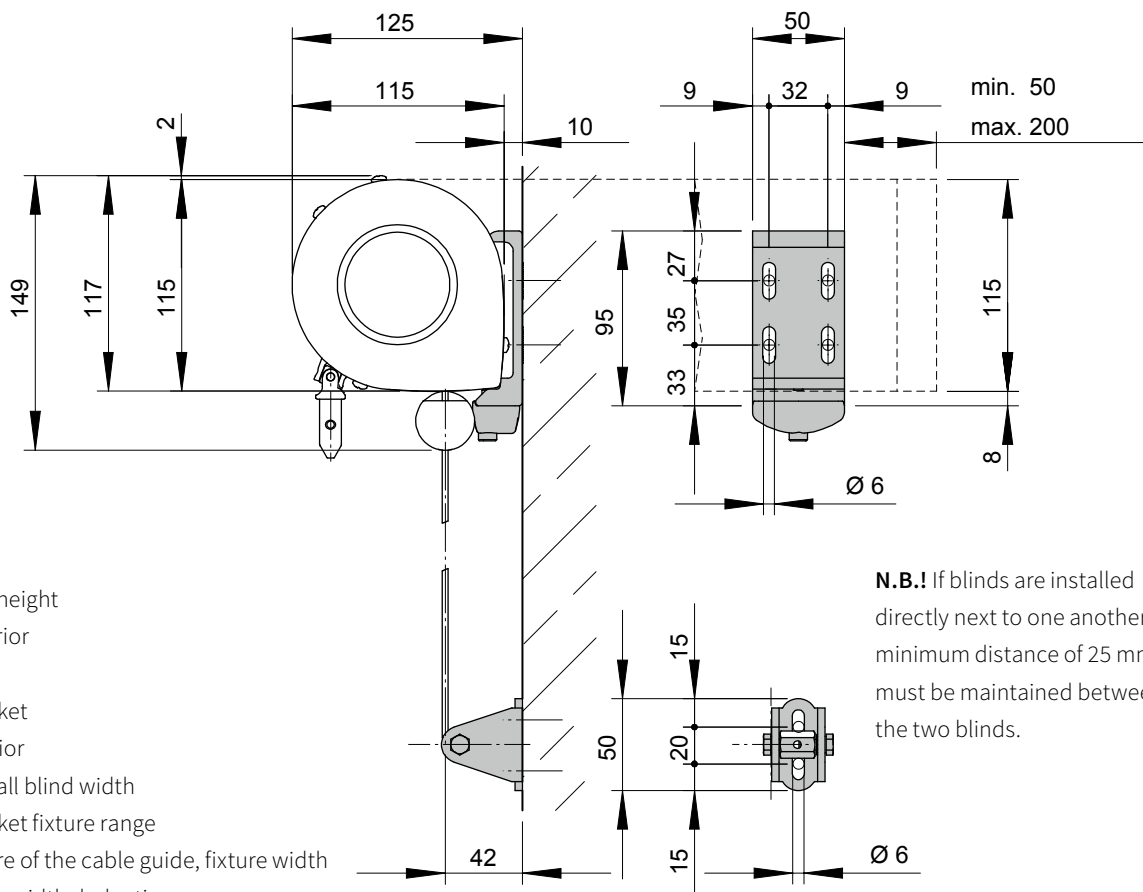
01 **markilux 810**

02 Dimension overview



10

11 Face fixture



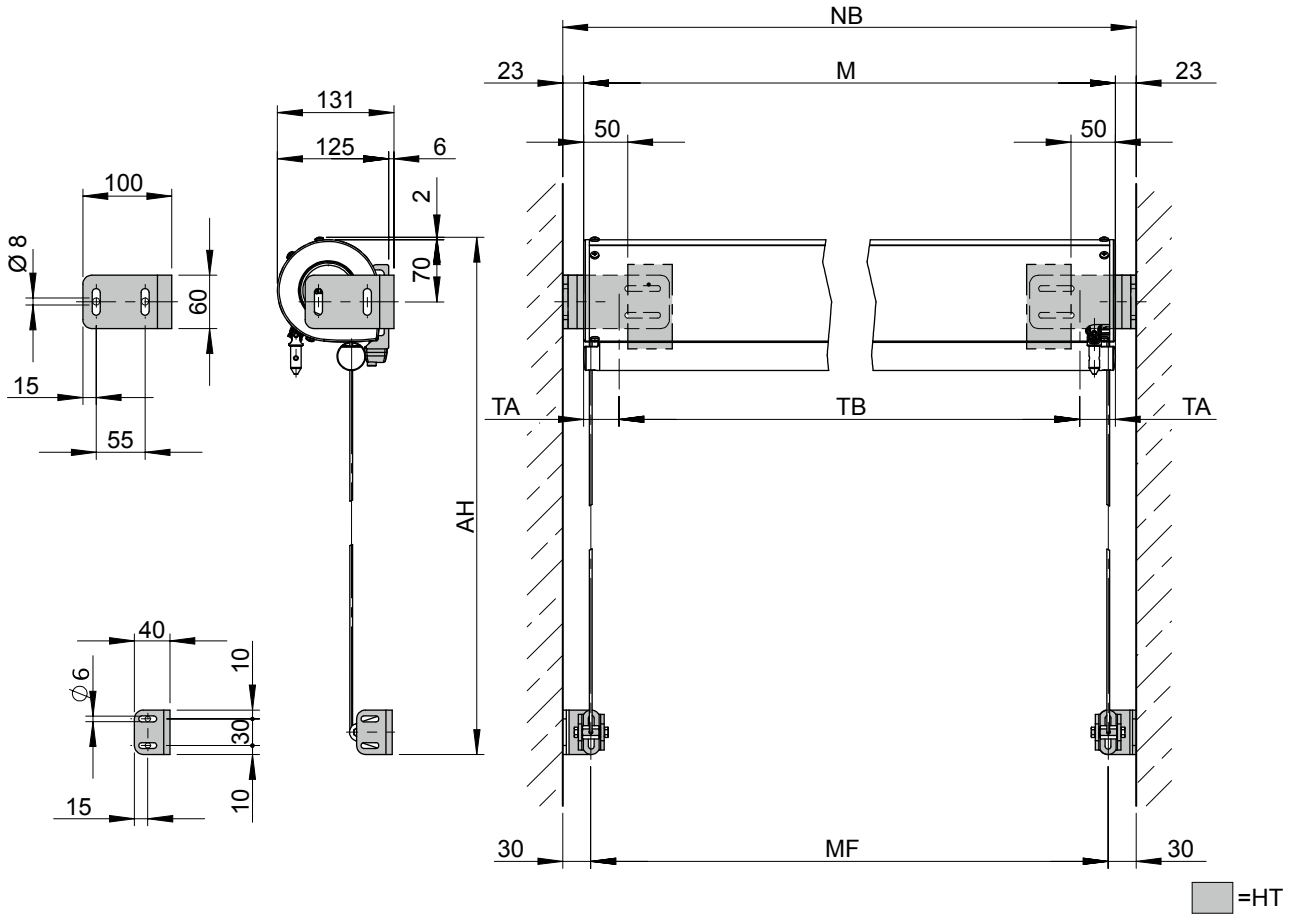
- AH = unit height
- AU = exterior
- H = drop
- HT = bracket
- IN = interior
- M = overall blind width
- MB = bracket fixture range
- MF = centre of the cable guide, fixture width
- TA = cover width deductions
(operation side = 50 mm, bearing side = 30 mm)
- TB = cover width

N.B.! If blinds are installed directly next to one another, a minimum distance of 25 mm must be maintained between the two blinds.

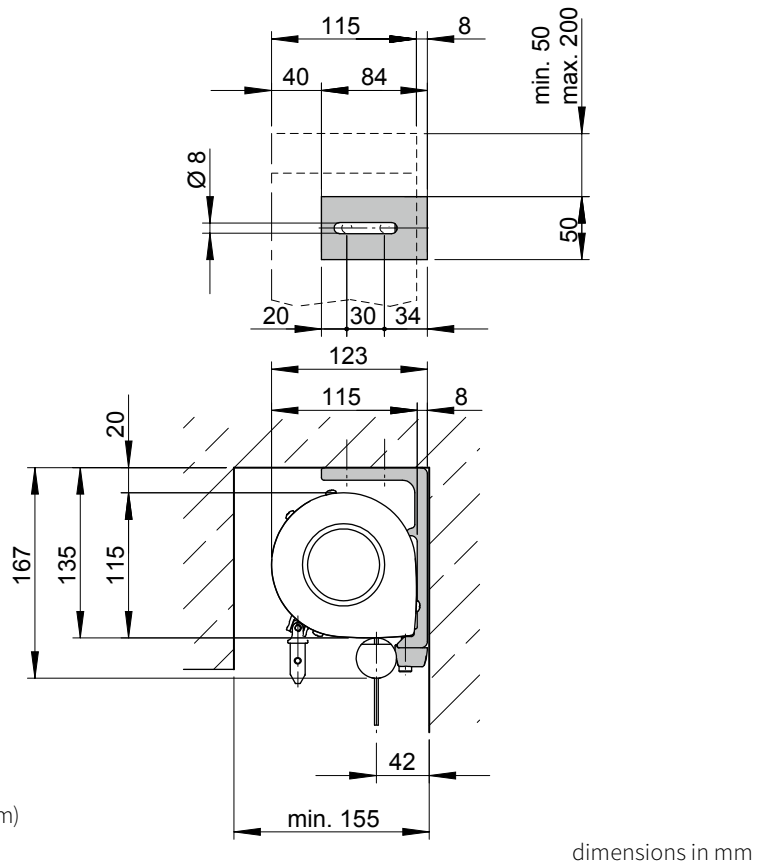
dimensions in mm

markilux 810

Reveal fixture, manual operation or motor drive



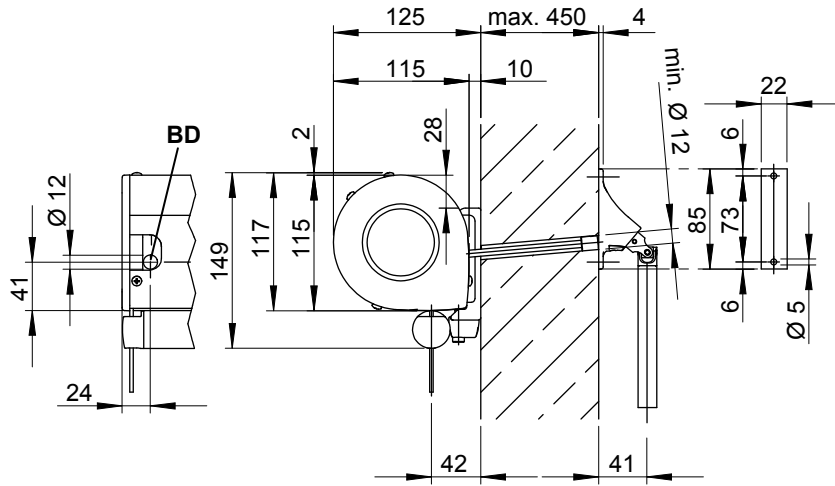
Reveal fixture in a top window well, manual operation



- AH = unit height
- HT = bracket
- M = overall blind width
- MF = centre of the cable guide, centre of the stainless steel guide rod, fixture width
- NB = reveal width
- TA = cover width deductions (operation side = 50 mm, bearing side = 30 mm)
- TB = cover width

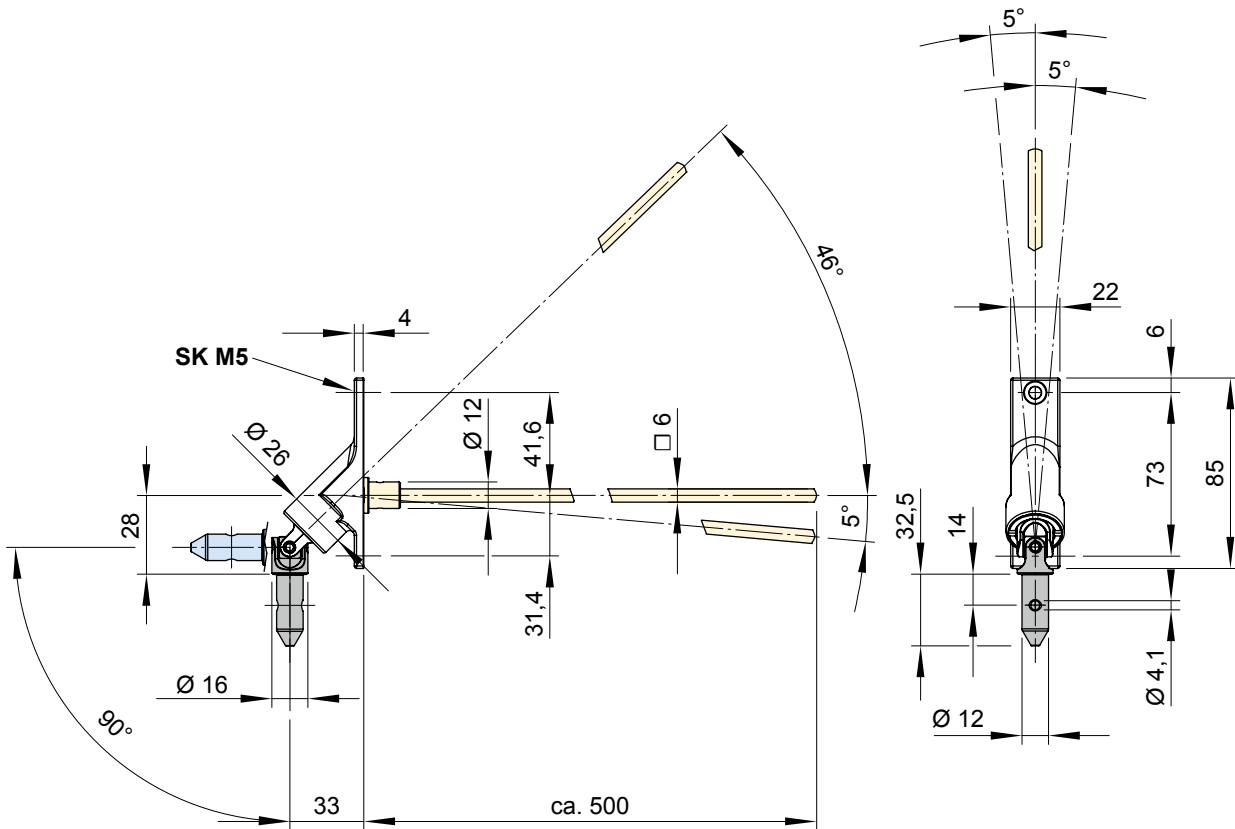
01 **markilux 810**

02 Face fixture, manual operation with interior operation



10

11 Handle for interior operation

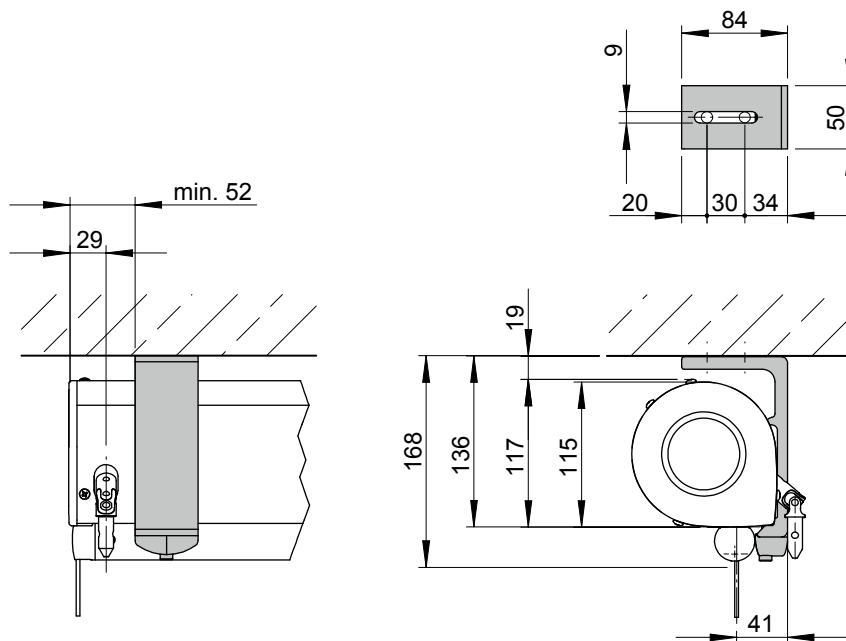


- BD = horizontal drill hole
- SK = countersunk srew hole M5

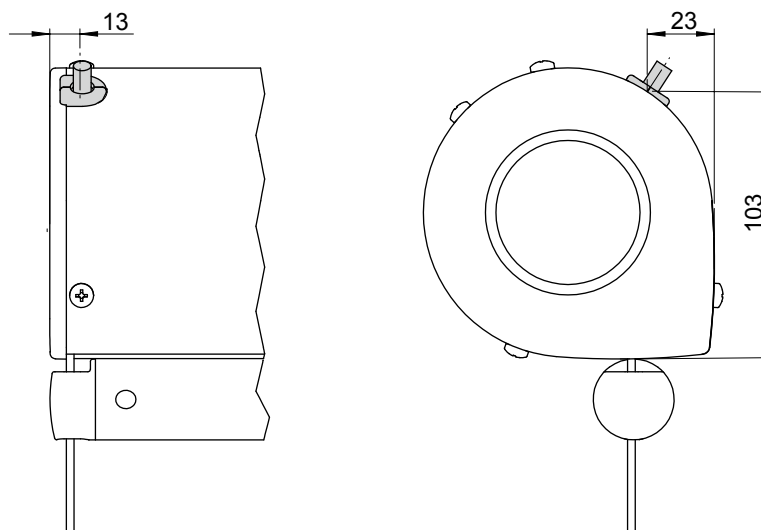
dimensions in mm

markilux 810

Crank handle, operation from the rear



Motor cable exit point



dimensions in mm

- 01
- 02
- 03
- 04
- 05
- 06
- 07
- 08
- 09
- 10**
- 11
- 12
- 13
- 14
- 15
- 16
- 17
- 18
- 19
- 20

01

02

03

04

05

06

07

08

09

10

11

12

13

14

15

16

17

18

19

20