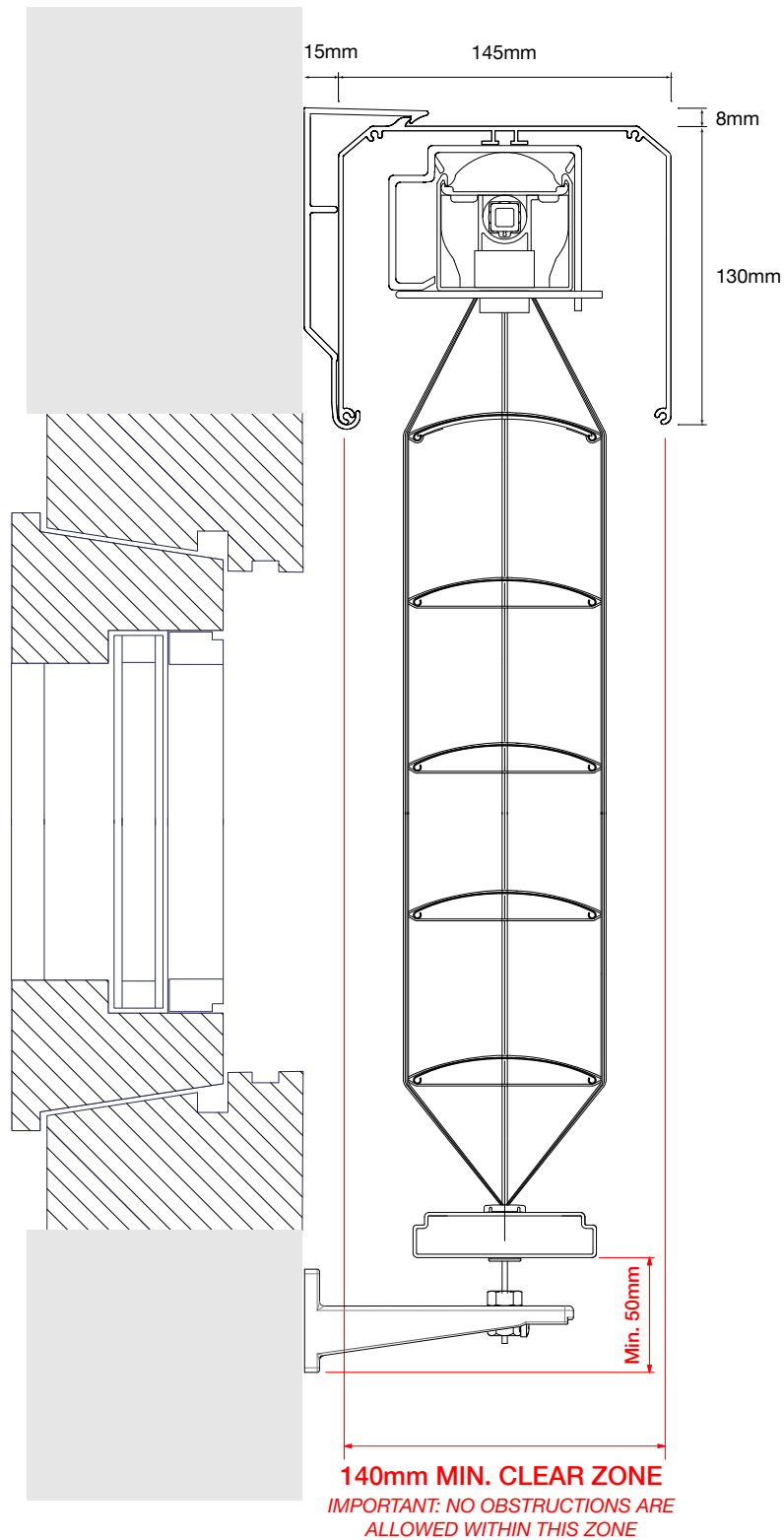


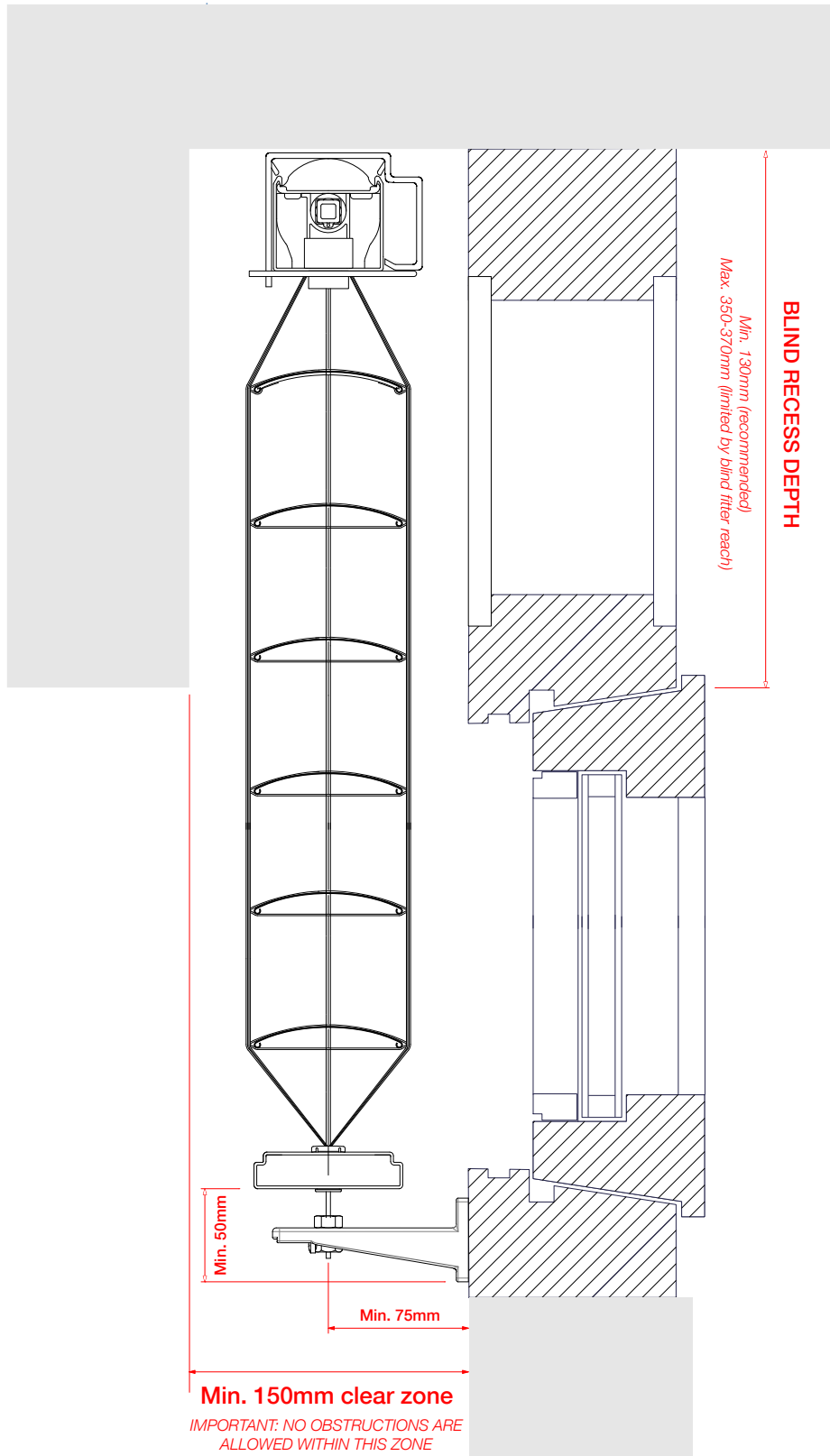
Type 80 (a2) - External Venetian Blind

Face Fitted Example with Cassette B Pelmet & Wire Guides
Ref: VA1001a



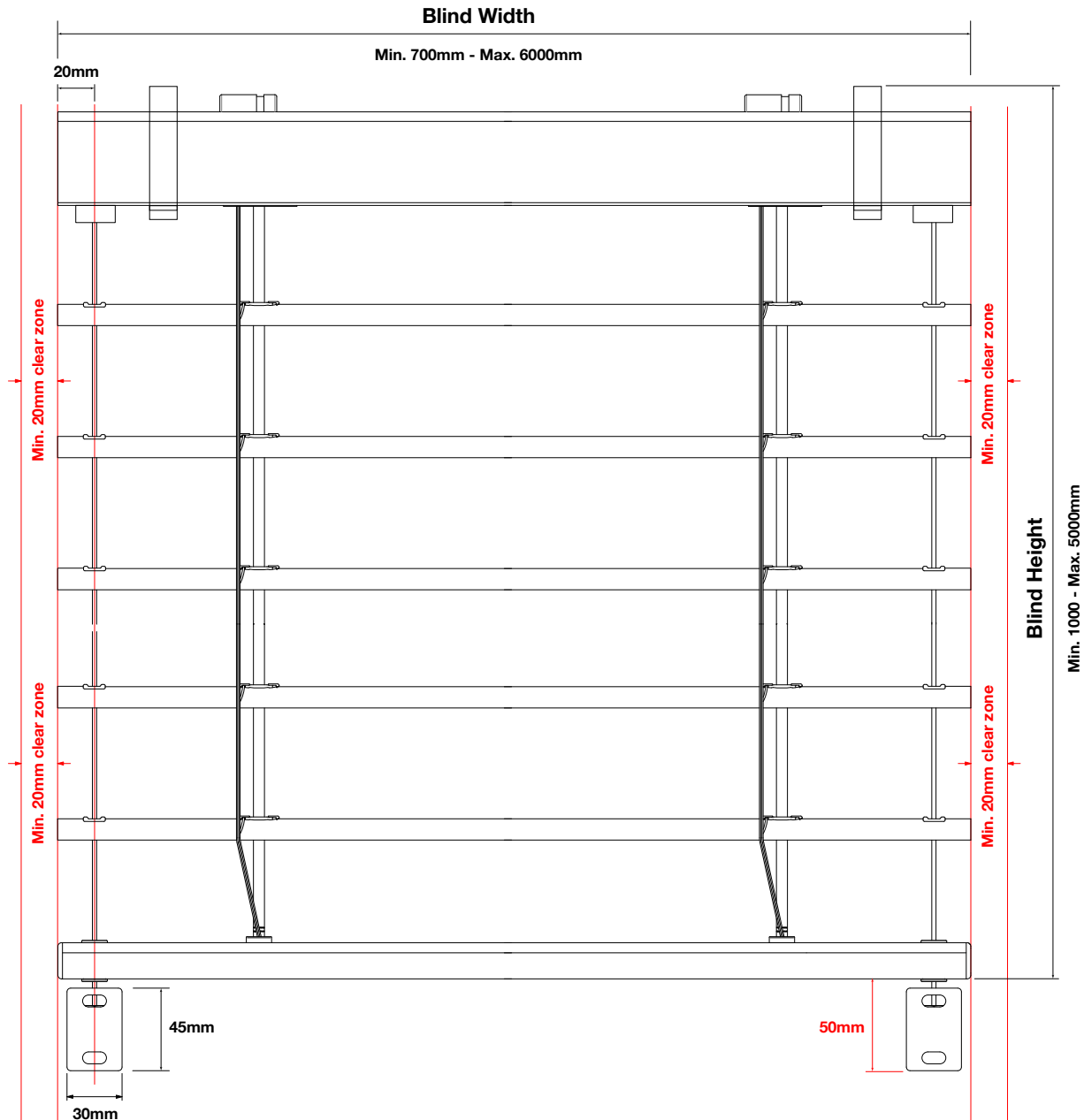
Type 80 (a2) - External Venetian Blind

Recess Fitted Example with Wire Guides
Ref: VA1002a



Type 80 (a2) - External Venetian Blind

Elevation of Blind Dimensions & Clearance Allowance
Ref: VA1010a



Type 80 (a2) - External Venetian Blind

Section of Blind Allowance Dimensions
 Ref: VA1011a

