

# 1.11a Single Fascia Kasset

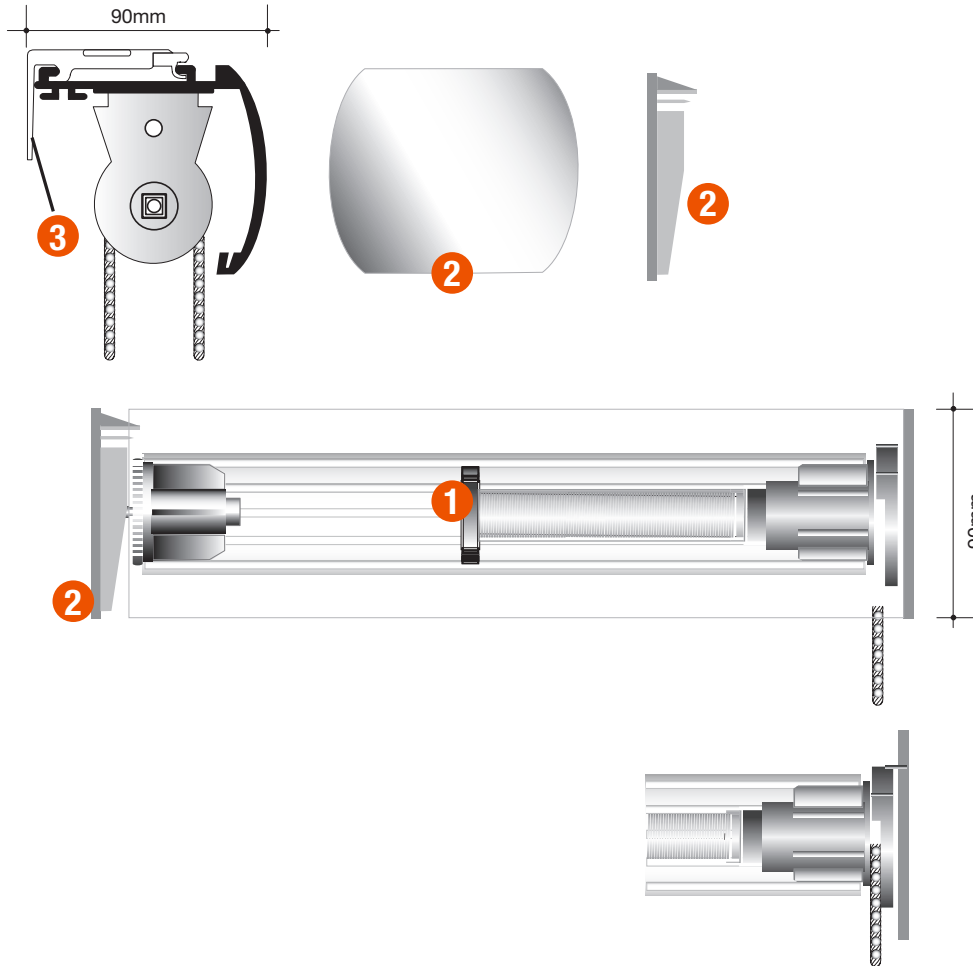
## Technical Information

1. Fascia kassett Extruded aluminium manufactured to ISO9001.
2. Fascia kassett end caps Moulded wear-resistant polycarbonate.
3. Bracket Spring loaded pressed zinc coated steel.

## Dimensions & Limitations

MINIMUM WIDTH*	600mm
MAXIMUM WIDTH*	5800mm

## Componentry



## References

