

HM 80 110 - ZIP

EXTERNAL MOTORISED ROLLER BLIND SYSTEM

Designed to control the entry of natural light, heat and solar energy from the outside, external zip screens allow you to extend your living space, creating protection and comfort for alfresco entertaining areas, verandas and pergolas all year round.

This stylish external motorised roller blind solution is cleverly designed so that the fabric is locked into the side channels and guided by “zips” to form the sleek no gap effect, an ingenious solution that helps keep out unwanted insects as well as making for a seamless contemporary aesthetic.

The HM 80 110 - ZIP is motorised for maximum ease of use and offers a choice of over 120 different frame colours, to suit any external façade. A weighted heavy duty base bar ensures optimal presentation of the fabric at all times, and provides extra stability in the elements. Helioscreen external systems will reduce the sun's heat by up to 90% and come with a 5 year warranty.

MINIMUM WIDTH: 800mm
MAXIMUM WIDTH: 4400mm
MAXIMUM DROP: 2800mm

HEADBOX

- 110 x 110mm, 3 piece extruded aluminium headbox
- Available in over 120 custom powder-coat colours (Dulux)

TUBE

- 80mm extruded aluminium
- 2mm wall thickness

GUIDING SYSTEM

- Extruded aluminium side rails.
- 33 x 21mm inner side rail. 40 x 26mm outer side rail

BASE BAR

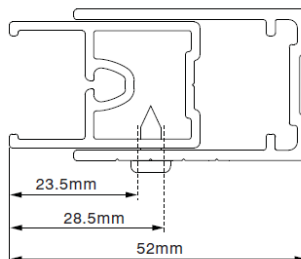
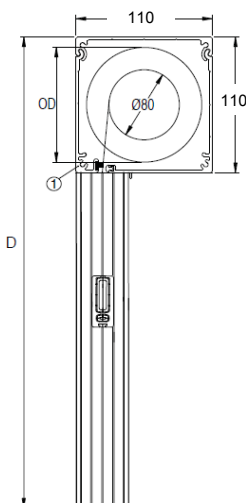
- Lead weighted 50 x 21mm, 2 piece extruded aluminium base bar
- Furry strip lining on bottom

CONTROL

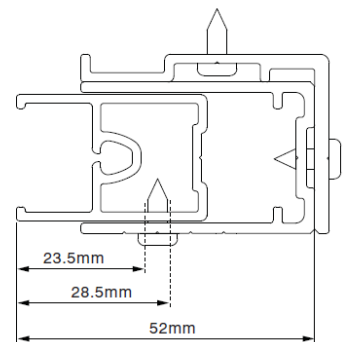
- Motorised with remote control from Somfy
- Operate up to 16 separate blinds on one 16 channel remote
- Connection to Building Management System optional

AUTOMATION

- Automated retraction in high winds
- Adjustable wind sensitivity levels
- Sun control via “Soliris” Sun & Wind, or “Sunis” Sun Sensor



Reveal Mounting of Side Rails



Face Mounting of Side Rails
with additional L angle