



Drop-arm cassette awning

markilux 730 / 830

The awning with arms that drop out and away from the building – an adornment for any window with value-added functionality.

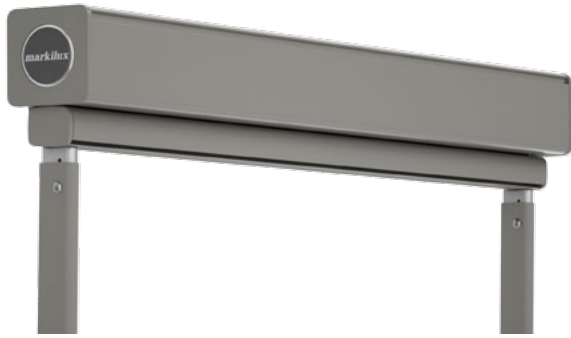
Product characteristics

Wind resistance class 2

Beaufort 5 → 7.5–10.4 m/s → 28–37 km/h → 17–23 mph

markilux 730

markilux 830



face fixture

top fixture

face fixture

top fixture



11

aluminium wedge-in accro bars ¹⁾
telescopic support post height 218–320 cm

retracted closing mechanism,
view of markilux 830

reveal fixture of drop arms,
stainless steel gas pistons



cover split for unit width > 400 cm



1) optional configuration

Product characteristics

Description

- the drop-arm cassette awning tensioned by gas piston technology – for widths up to 700 cm.

Special features

- fully encompassing cassette that protects the cover perfectly
- compact cassette profile that lends an attractive appearance to the unit
- attractive front profile
- optimum cover tension provided by drop arms that use high-grade stainless steel gas pistons
- sturdy drop arms with unique mechanism that enables the front profile to close tightly against the underside of the cassette
- option of wedge-in accro bars making it possible to install the awning between floor and ceiling – ideal for balconies
- front profile optionally with valance

Dimensions

- single unit: 74 cm – 700 cm in width.
- maximum drop arm lengths / cover drops: 80 / 160 cm, 100 / 200 cm, 120 / 250 cm, 150 / 250 cm
- intermediate sizes are available

Roller tube and lateral bearings

- round roller tube Ø 63 mm with keyway, galvanised steel
- the roller tube bearing is made of stainless steel

Awning profiles

- extruded aluminium, in façade quality, powder coated
- markilux 730: cassette profile in one piece, square, height × depth 95 mm × 95 mm
- markilux 830: cassette profile in two pieces, round tear-shaped, Ø 115 mm
- Front profile angular, height × depth 40 mm × 50 mm.

Drop arms

- u-shaped profile, width × profile depth 25 mm × 32 mm, attractively rounded, extruded aluminium, powder coated
- maximum angle of drop 140°
- excellent tension provided by marine grade stainless steel gas pistons, pressure 580 N

Side caps

markilux 730:

- the cassette end caps are made of high-quality plastic, powder coated
- the front profile end caps are made of high-quality plastic, powder coated

markilux 830:

- the cassette end caps are made of high-quality plastic, powder coated
- the front profile end caps are made of high-quality plastic, powder coated

Fixture brackets

- extruded aluminium, powder coated
- cassette brackets: face fixture, top fixture, reveal fixture
- brackets for the drop arms: face fixture, reveal fixture
- other accessories are available

Frame colours

markilux frame colours without surcharge

traffic white RAL 9016

metallic aluminium RAL 9006

grey brown, similar to RAL 8019



off-white textured finish, 5233 ¹⁾

stone grey metallic, 5215 ¹⁾

anthracite metallic, 5204 ¹⁾



Havana brown textured finish, 5229 ¹⁾



Non-standard powder-coated finish

Bespoke frame colours at a surcharge – matt, metallic and pearl finishes as well as other colour ranges (DB, Tiger etc.) on request. All frame colours are available at a surcharge with enhanced corrosion protection.

¹⁾ textured finish

Colours may differ slightly from those depicted in both hue and finish.

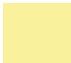


Dimensions and configuration options

Single unit

		Overall awning width													Minimum width	
		100	150	200	250	300	350	400	450	500	550	600	650	700	Hard-wired motor	Radio-contr. motor
Order dimensions		50 100	101 150	151 200	201 250	251 300	301 350	351 400	401 450	451 500	501 550	551 600	601 650	651 700		
AL	80 ¹⁾														75	74
	100 ²⁾															
	120 ³⁾															
	150 ³⁾															

dimensions in cm

- 1) = cover length 160 cm
- 2) = cover length 200 cm
- 3) = cover length 250 cm
- AL = arm length

-  = 2 brackets, 2 drop arms
-  = 3 brackets, 2 drop arms
-  = 3 brackets, 3 drop arms, 1 nylon support bearing (split cover)

Operation	standard	optional
crank handle, on the outside	✓	—
crank handle, operation from the rear	—	✓ ¹⁾
crank handle, interior operation	—	✓ ¹⁾
hard-wired motor	—	✓
radio-controlled motor io, 868 MHz	—	✓
radio-controlled motor RTS, 433 MHz	—	✓

1) up to a maximum awning width of 400 cm

Coupled Awning
not available

Optional accessories
wedge-in accro bars
valance
automatic controls (light, wind, rain)

N.B! – Important background information can be found in the chapter “Optional Accessories”.

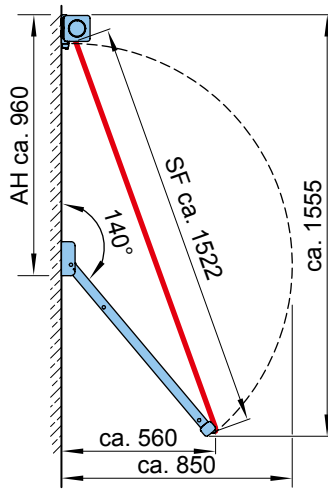
Awning cover	fabric range no.	standard	optional
sunvas	301.. / 309..–315..	✓	—
perla	370 ..	—	—
sunsilk	324.. / 325.. / 328.. / 369..	✓	—
perla FR	374.. / 375..	—	—
perfortex	331.. / 332..	✓	—
transolair	338..	—	✓
vuscreen Alu	317..	—	✓
Soltis Perform 92	92-20..	—	✓
glass fibre screen	272..	—	—
valance, height 20 cm		—	✓

- N = seamless
- LN = vertical seam(s), panel width usually 120 cm
- QN = horizontal seam(s)

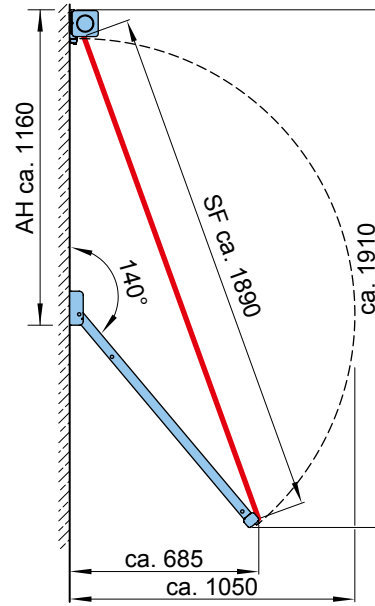
01 **Window coverage**

02 On the basis of the standard arm lengths

03 Arm length: 80 cm
Cover length: 160 cm

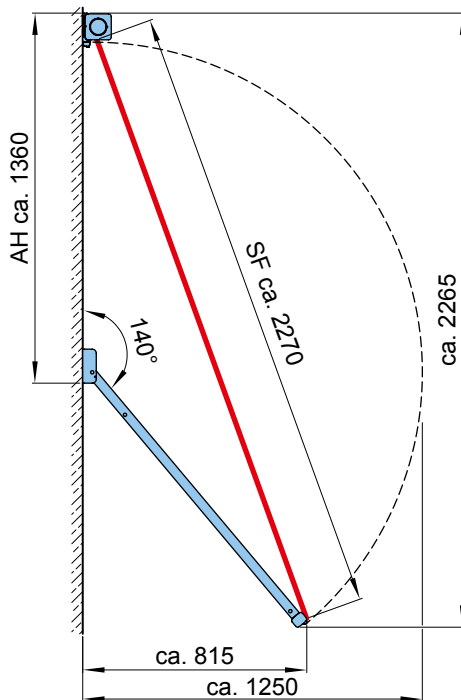


Arm length: 100 cm
Cover length: 200 cm

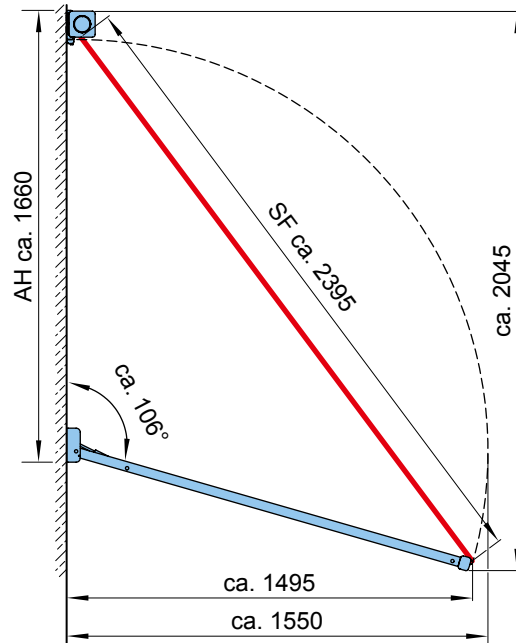


11

14 Arm length: 120 cm
Cover length: 250 cm



Arm length: 150 cm
Cover length: 250 cm

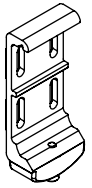
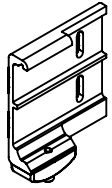
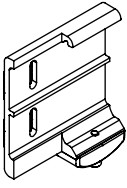
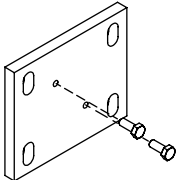
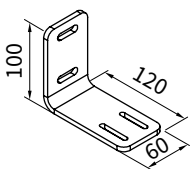
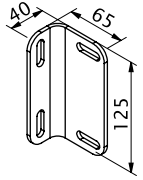
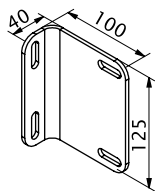
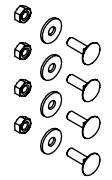
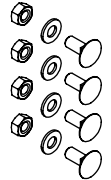
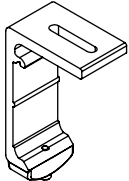
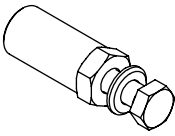
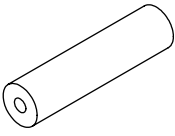


AH = unit height
SF = visible cover area

dimensions in mm

markilux 730

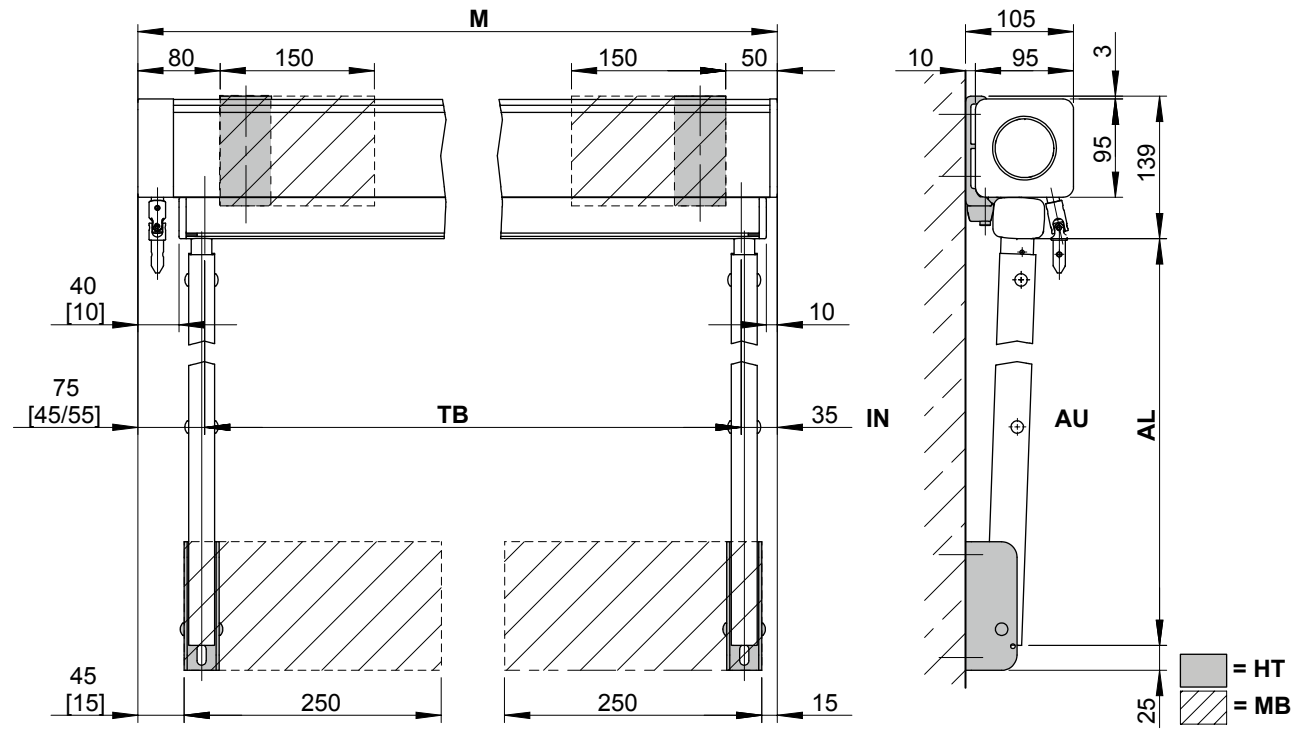
Fixtures, fittings and accessories

 <p>face fixture bracket 50 mm</p> <p>78797.</p>	 <p>face fixture bracket with fishplate for extended fixture, right</p> <p>N.B! not for the operation side:</p> <ul style="list-style-type: none"> interior operation operation from the rear <p>78920.</p>	 <p>face fixture bracket with fishplate for extended fixture, left</p> <p>N.B! not for the operation side:</p> <ul style="list-style-type: none"> interior operation operation from the rear <p>78921.</p>
 <p>spreader plate for face fixture / universal bracket</p> <p>120 × 100 × 10 mm</p> <p>78982.</p>	 <p>additional angled bracket for reveal fixture</p> <p>120 × 100 × 60 mm</p> <p>please order additional accessories 792931!</p> <p>77220.</p>	 <p>additional angled bracket for lateral arm fixture reveal fixture</p> <p>65 × 40 × 125 mm bearing / motor side</p> <p>please order additional accessories 793151!</p> <p>78912.</p>
 <p>additional angled bracket for lateral arm fixture reveal fixture</p> <p>100 × 40 × 125 mm gearbox side</p> <p>please order additional accessories 793151!</p> <p>78913.</p>	 <p>accessories for two angled brackets 77220.</p> <p>792931</p>	 <p>accessories for two angled brackets 78912. or 78913.</p> <p>793151</p>
 <p>top fixture bracket</p> <p>50 mm</p> <p>78859.</p>	 <p>bolt reduction assembly M 10 → M 6 / SW 13</p> <p>pack 10 pcs</p> <p>753211</p>	 <p>stand-off fixing tube</p> <p>30 × 10 × 1000 mm</p> <p>N.B! max. stand-off distance 120 mm</p> <p>701668</p>

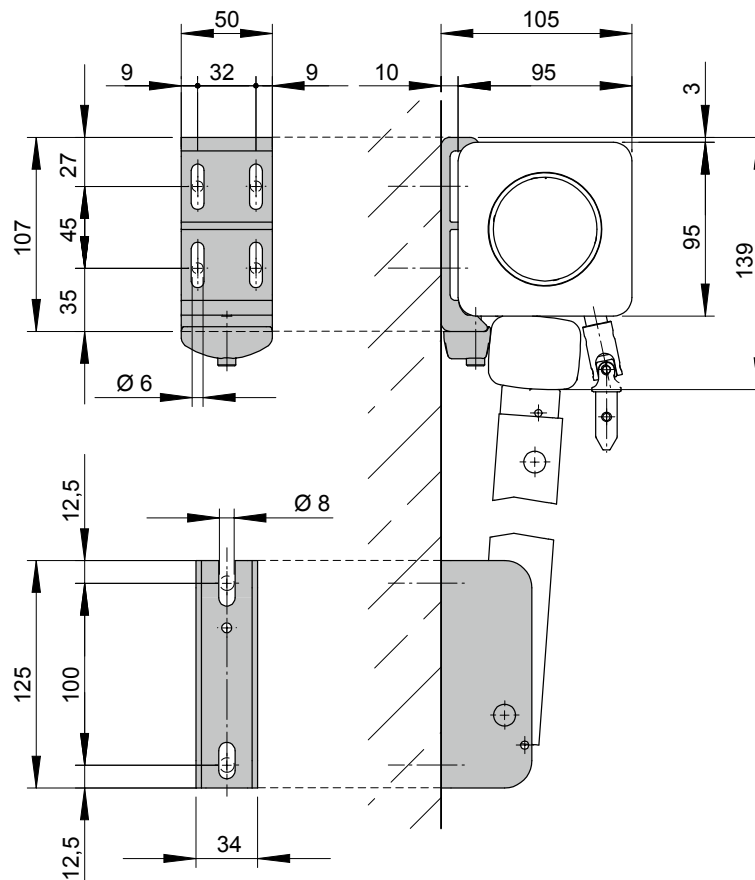
01
02
03
04
05
06
07
08
09
10
11
12
13
14
15
16
17
18
19
20

markilux 730

Dimension overview



Face fixture



[...] = dimensions in the case of motor / interior operation (MO)

AL = order dimension = arm length

AU = exterior

HT = bracket

IN = interior

M = order dimension = awning width

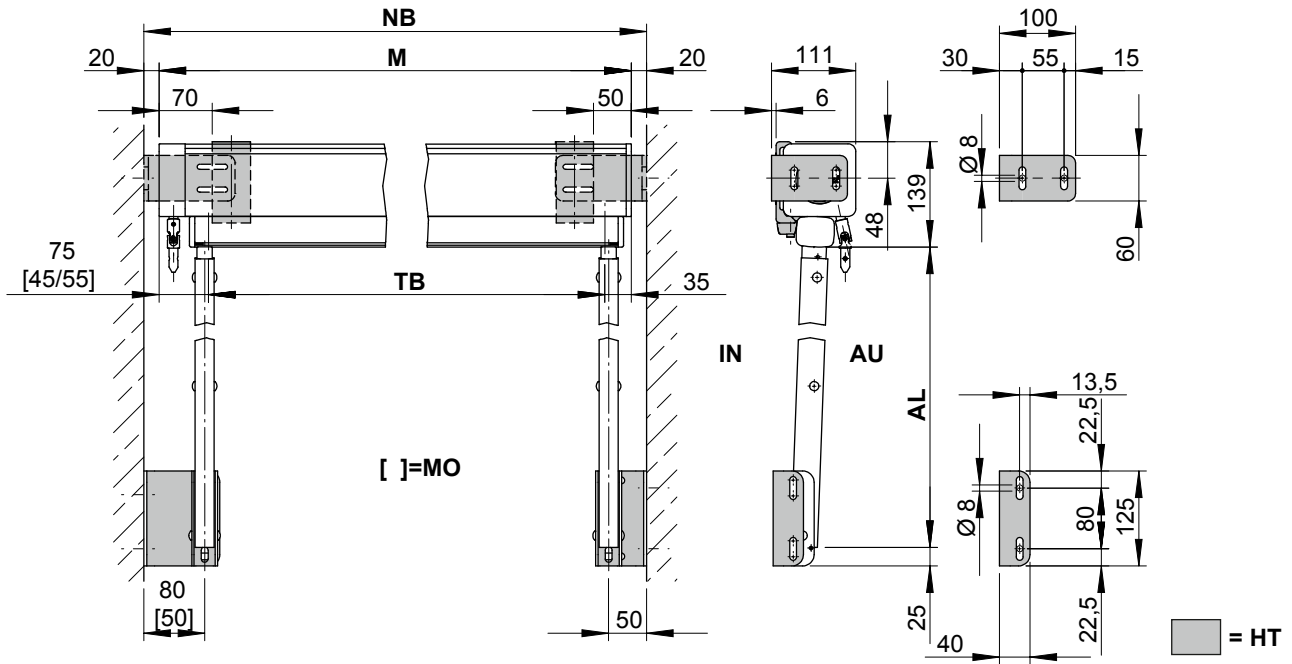
MB = bracket fixture range

TB = cover width

dimensions in mm

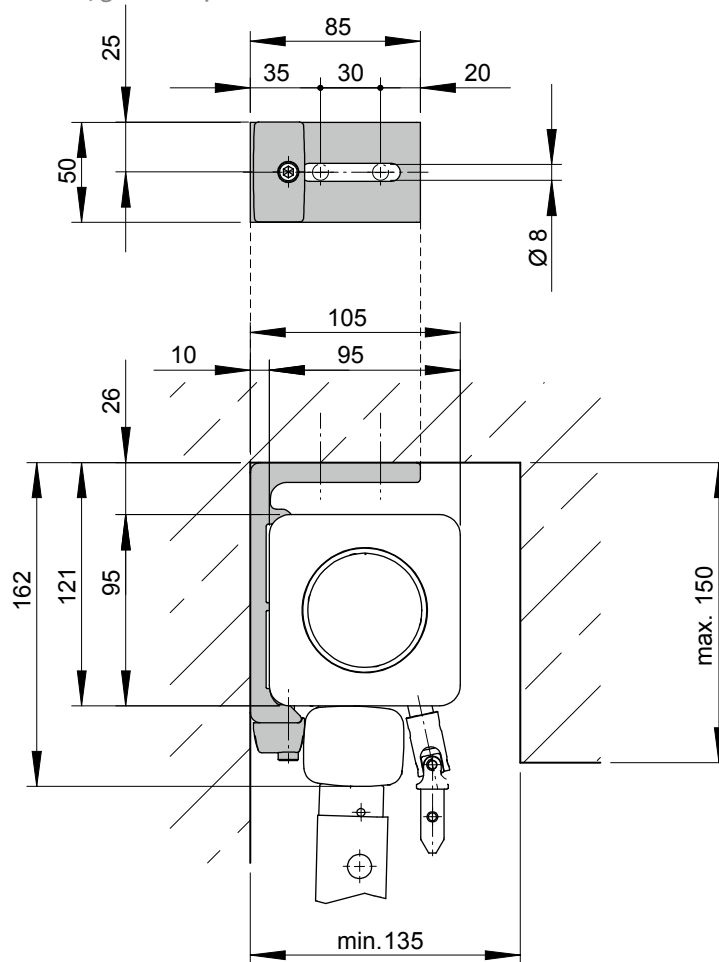
markilux 730

Reveal fixture, gearbox / motor operation



11

Reveal fixture in a top window well, gearbox operation



[...] = dimensions in the case of motor / interior operation (MO)

AL = *order dimension* = unit height

AU = exterior

HT = bracket

IN = interior

M = *order dimension* = awning width

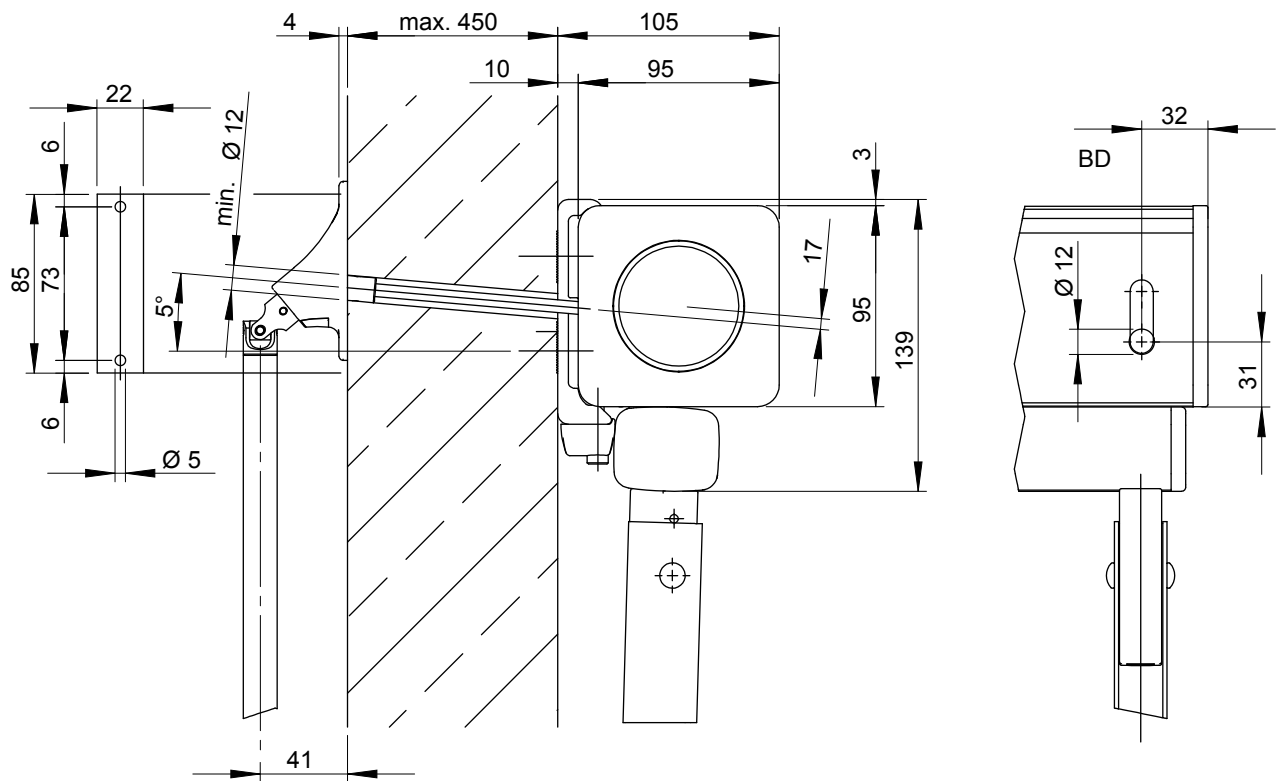
NB = reveal width

TB = cover width

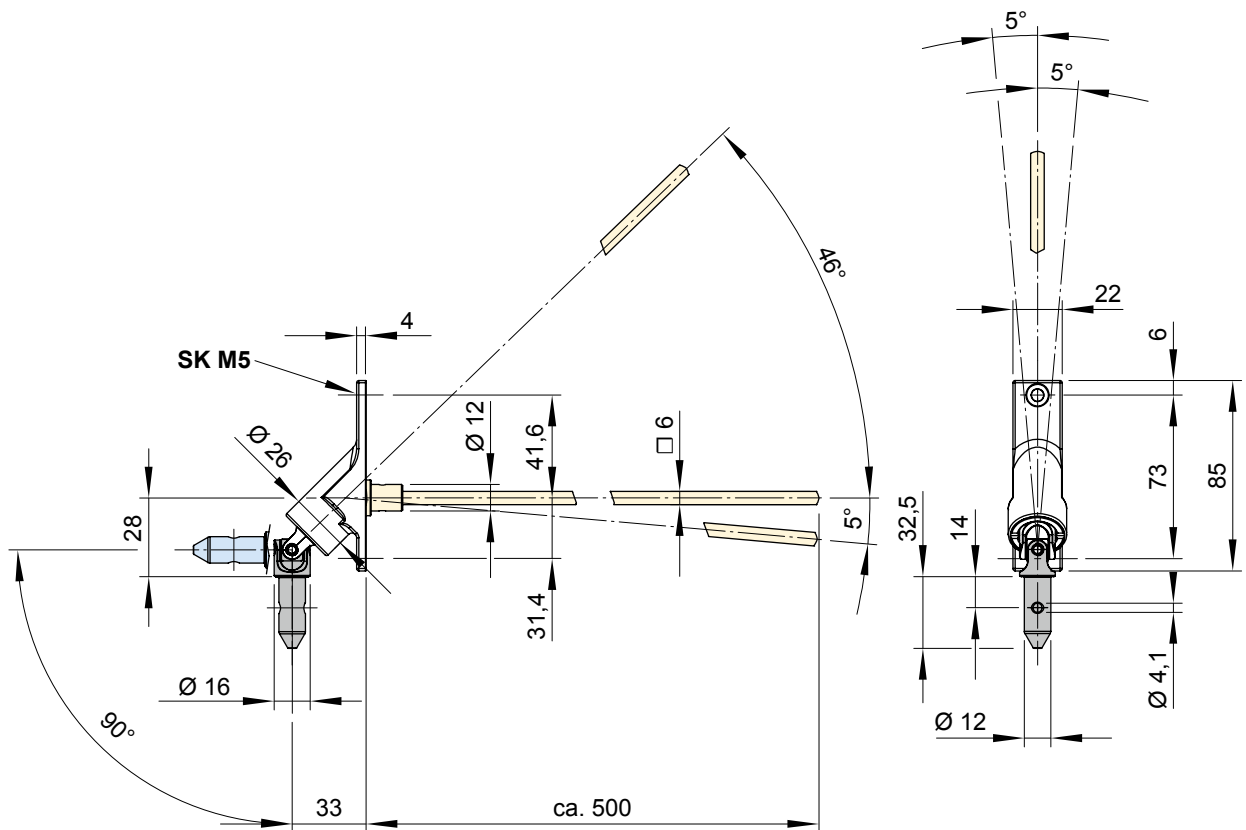
dimensions in mm

markilux 730

Face fixture, interior operation



Handle for interior operation



- BD = horizontal drill hole
- SK = countersunk screw hole M5

dimensions in mm

01
02
03
04
05
06
07
08
09
10
11
12
13
14
15
16
17
18
19
20

01 **markilux 730**

02 Manual operation from the rear

03

04

05

06

07

08

09

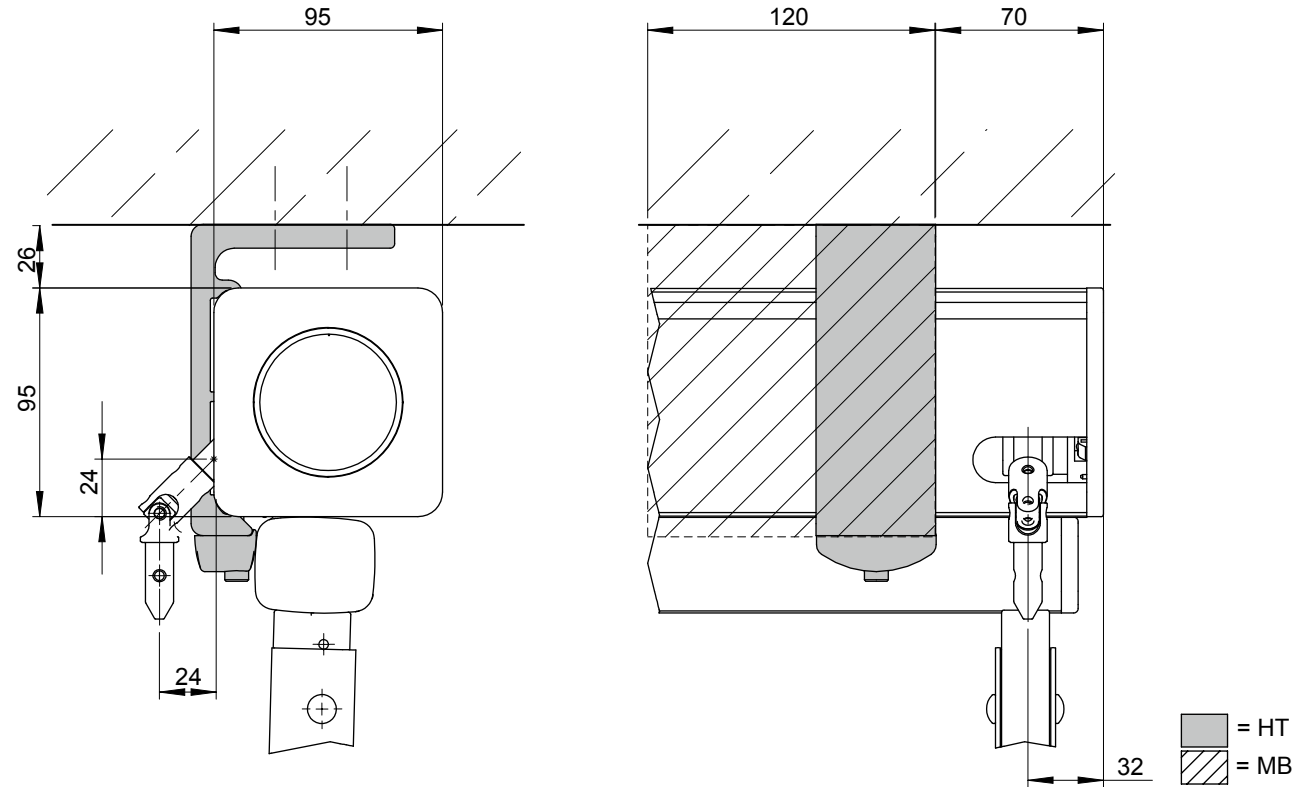
10

11

12

13

14



15 Motor cable exit point

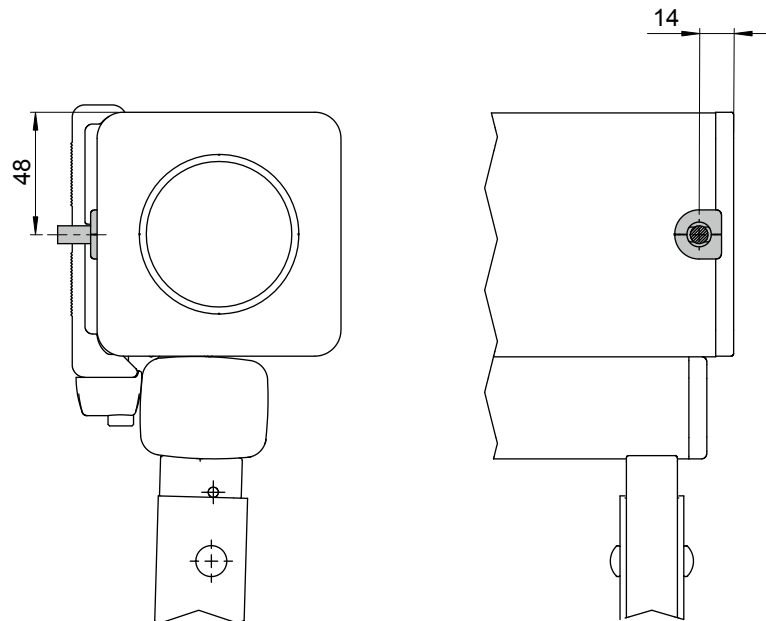
16

17

18

19

20

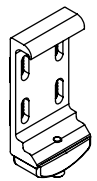
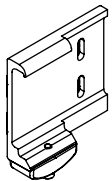
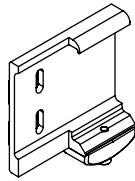
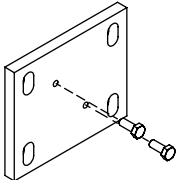
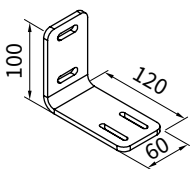
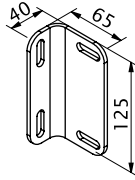
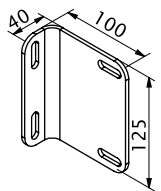
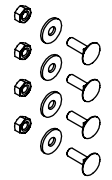
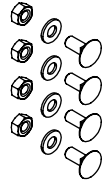
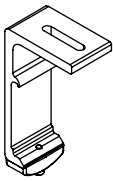
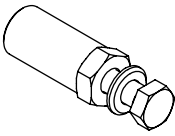
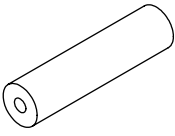


HT = bracket
MB = bracket fixture range

dimensions in mm

markilux 830

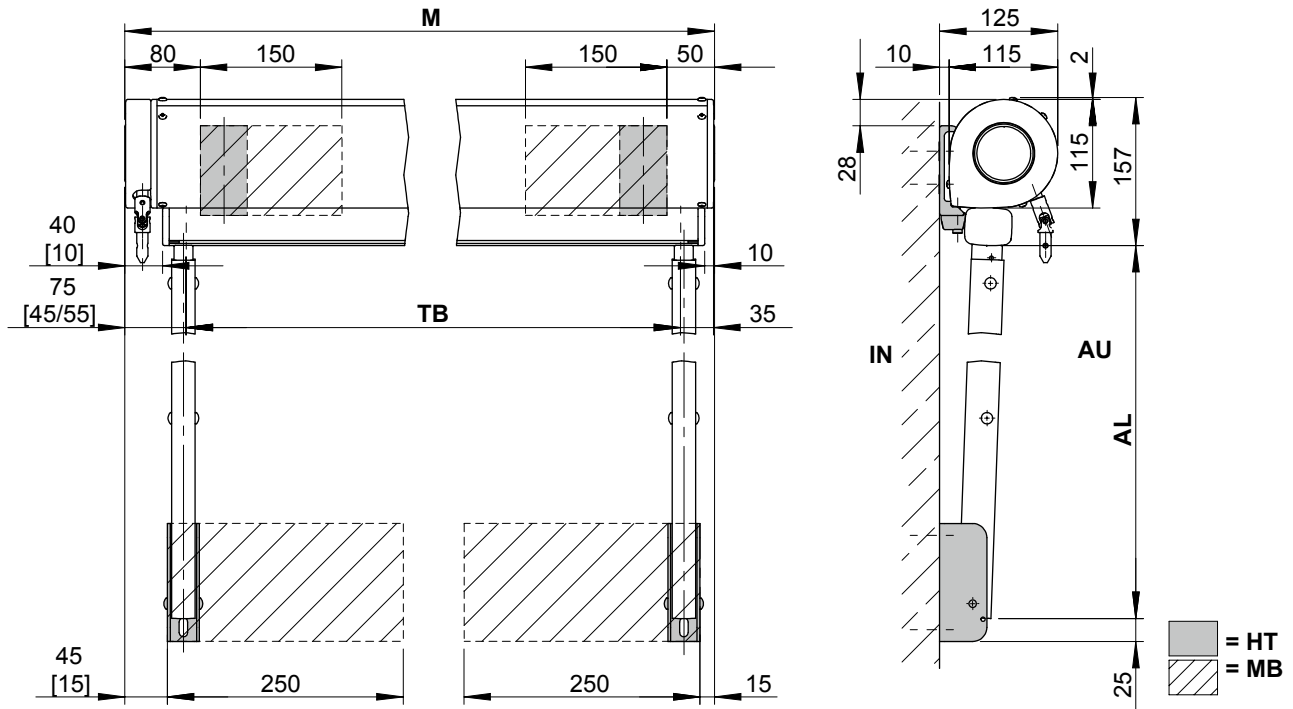
Fixtures, fittings and accessories

 <p>face fixture bracket 50 mm</p> <p>78726.</p>	 <p>face fixture bracket with fishplate for extended fixture, right</p> <p>N.B! not for the operation side:</p> <ul style="list-style-type: none"> interior operation operation from the rear <p>78748.</p>	 <p>face fixture bracket with fishplate for extended fixture, left</p> <p>N.B! not for the operation side:</p> <ul style="list-style-type: none"> interior operation operation from the rear <p>78749.</p>
 <p>spreader plate for face fixture / universal bracket</p> <p>120 × 100 × 10 mm</p> <p>78982.</p>	 <p>additional angled bracket for reveal fixture</p> <p>120 × 100 × 60 mm</p> <p>please order additional accessories 792931!</p> <p>77220.</p>	 <p>additional angled bracket for lateral arm fixture reveal fixture</p> <p>65 × 40 × 125 mm bearing / motor side</p> <p>please order additional accessories 793151!</p> <p>78912.</p>
 <p>additional angled bracket for lateral arm fixture reveal fixture</p> <p>100 × 40 × 125 mm gearbox side</p> <p>please order additional accessories 793151!</p> <p>78913.</p>	 <p>accessories for two angled brackets 77220.</p> <p>792931</p>	 <p>accessories for two angled brackets 78912. or 78913.</p> <p>793151</p>
 <p>top fixture bracket</p> <p>50 mm</p> <p>78727.</p>	 <p>bolt reduction assembly M 10 → M 6 / SW 13</p> <p>pack 10 pcs</p> <p>753211</p>	 <p>stand-off fixing tube</p> <p>30 × 10 × 1000 mm</p> <p>N.B! max. stand-off distance 120 mm</p> <p>701668</p>

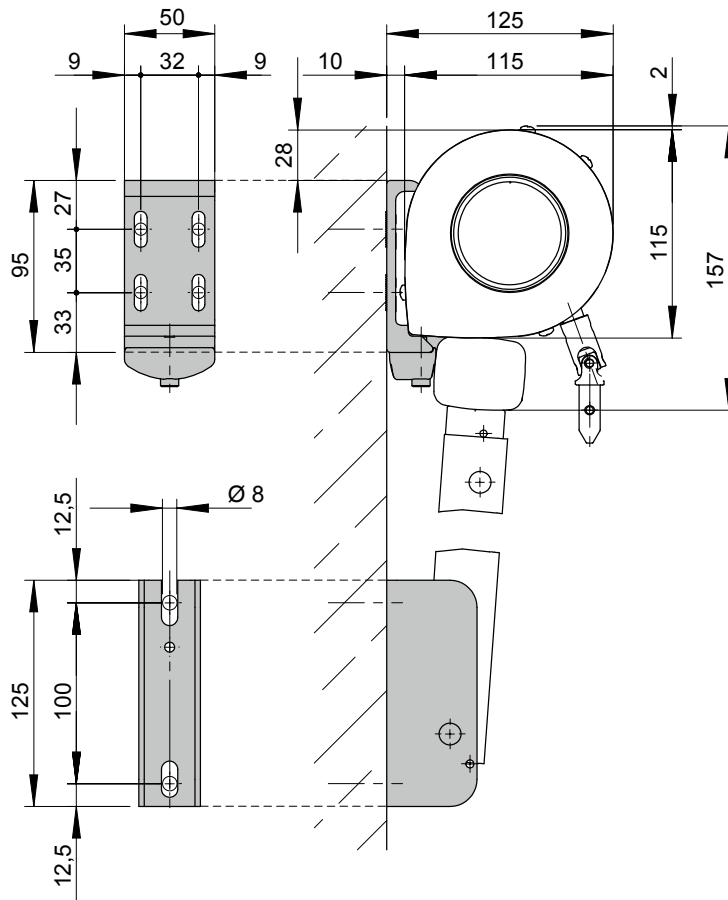
01
02
03
04
05
06
07
08
09
10
11
12
13
14
15
16
17
18
19
20

markilux 830

Dimension overview



Face fixture



[...] = dimensions in the case of motor / interior operation (MO)

AL = order dimension = arm length

AU = exterior

HT = bracket

IN = interior

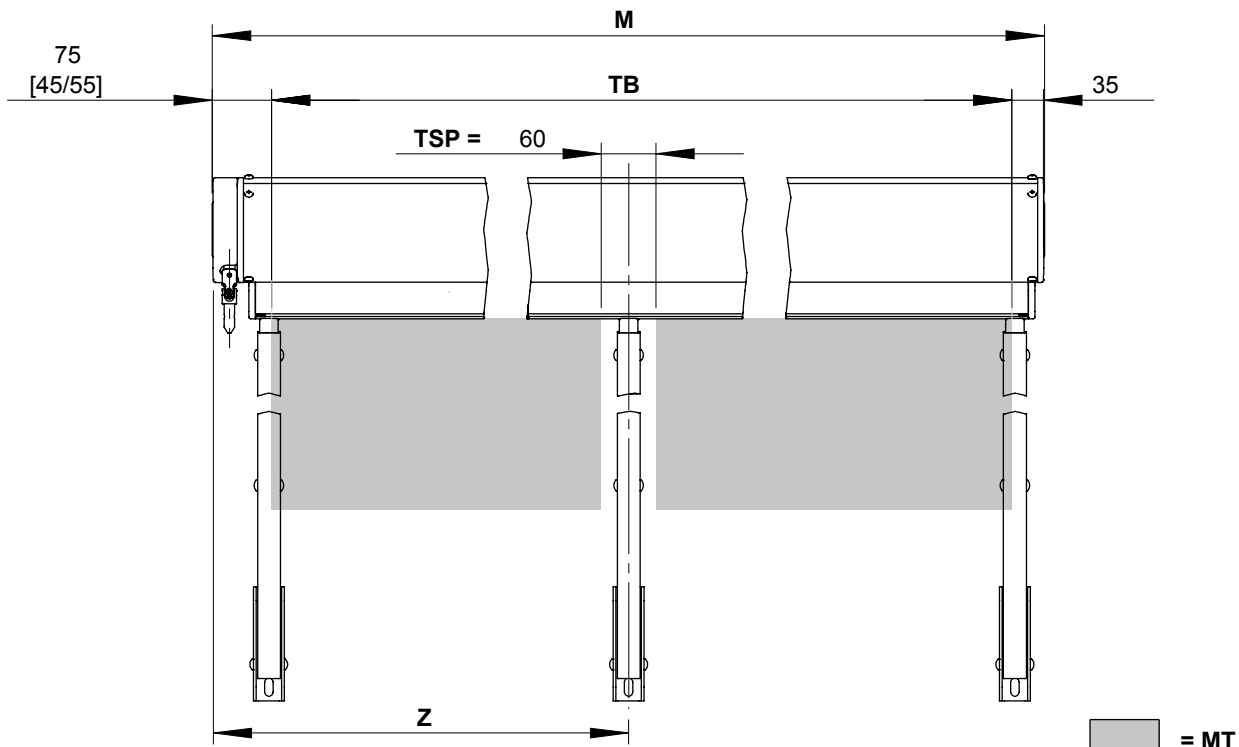
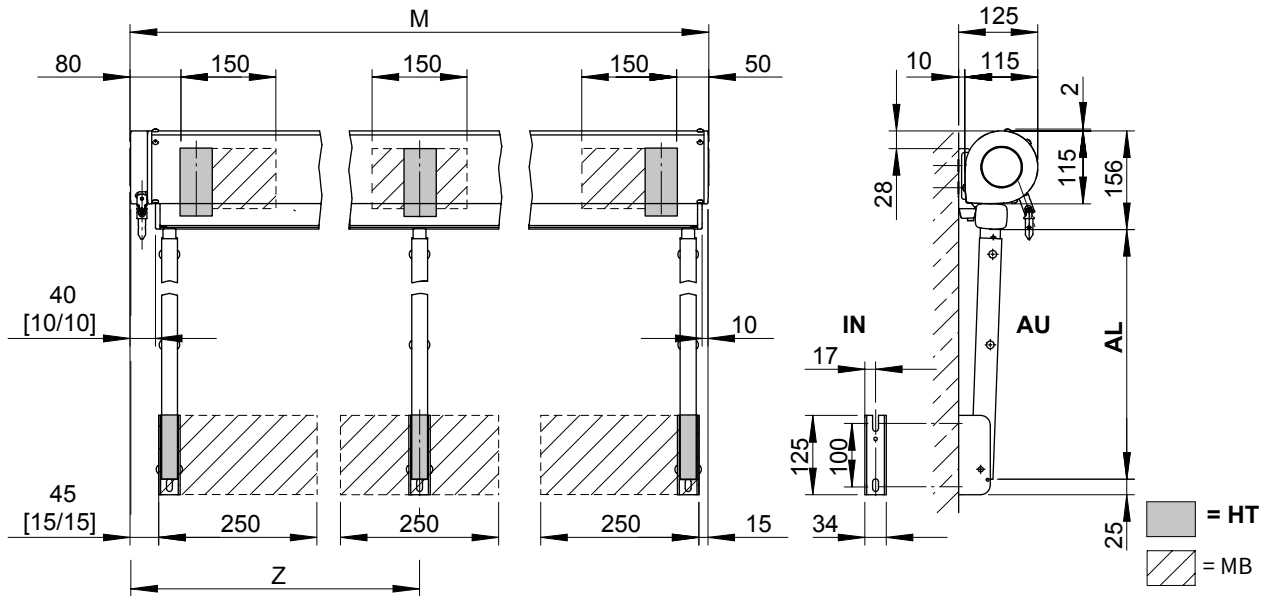
M = order dimension = awning width

MB = bracket fixture range

TB = cover width

dimensions in mm

markilux 830



[...] = dimensions in the case of motor / interior operation
interior operation (MO)

AL = *order dimension* = arm length

AU = exterior

HT = bracket

IN = interior

M = *order dimension* = awning width

MB = bracket fixture range

MT = awning cover

TB = cover width

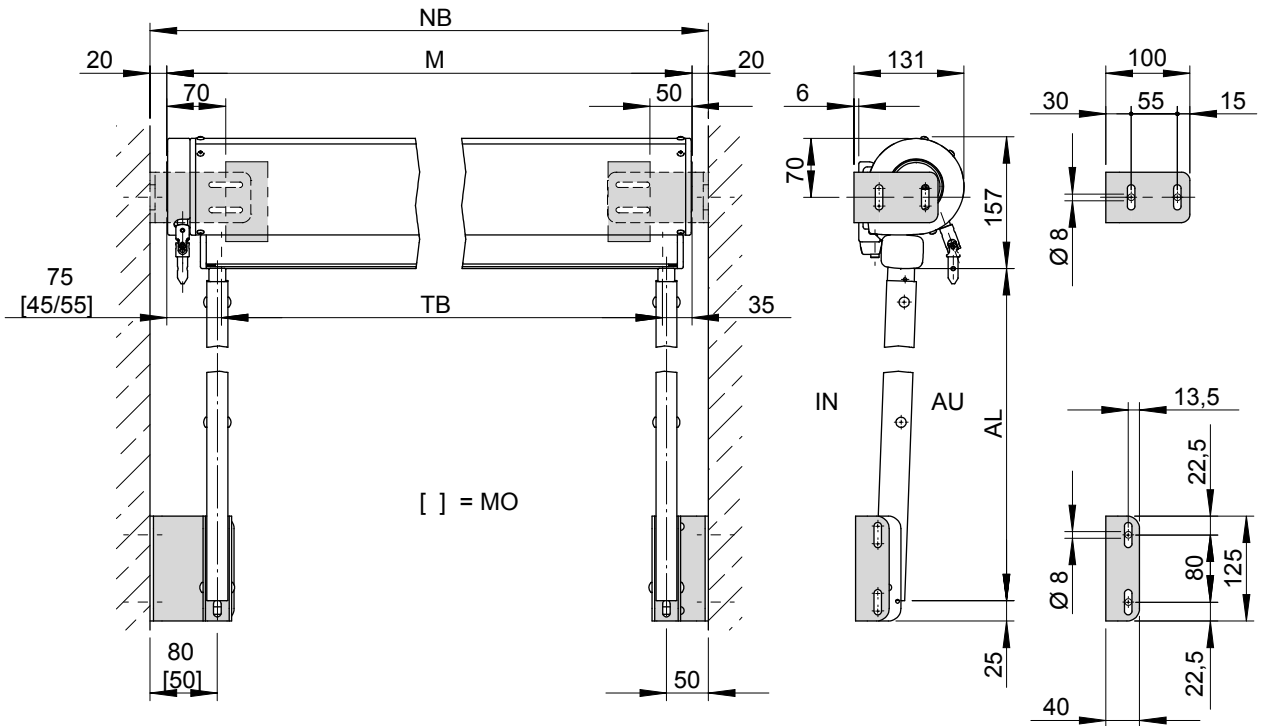
TSP = cover gap

Z = please note where the split in the cover should be
when ordering (measured from the left)

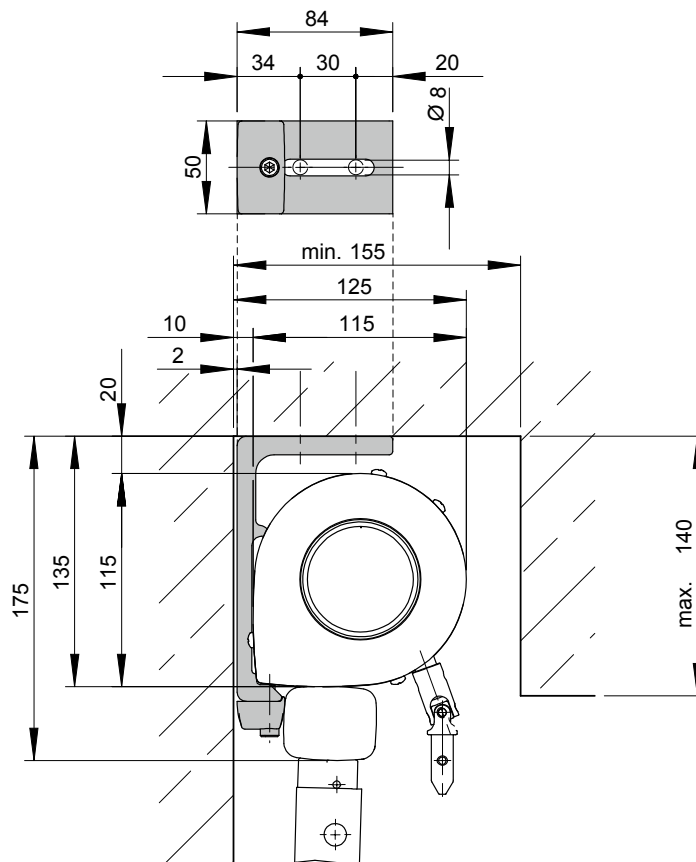
dimensions in mm

markilux 830

Reveal fixture, gearbox / motor operation



Reveal fixture in a window well, gearbox operation



[...] = dimensions in the case of motor / interior operation (MO)

AL = order dimension = unit height

AU = exterior

HT = bracket

IN = interior

M = order dimension = awning width

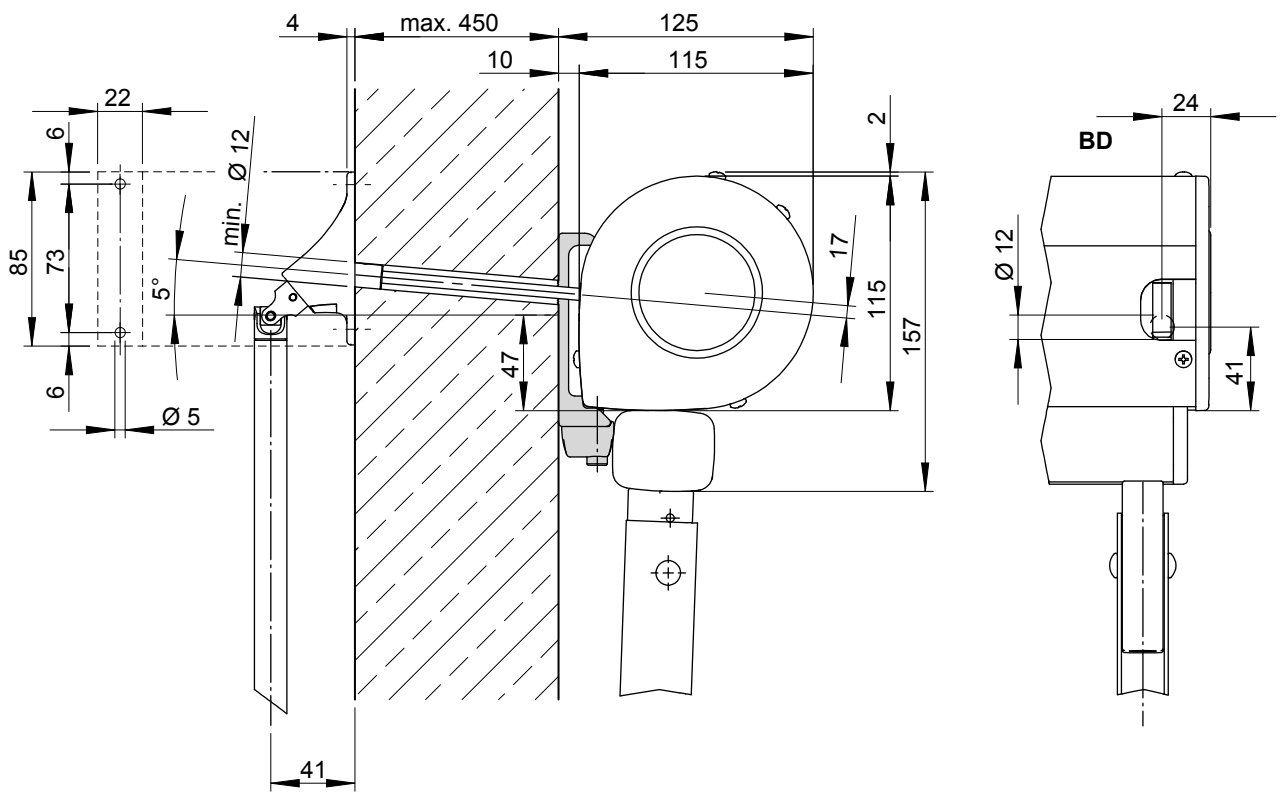
NB = reveal width

TB = cover width

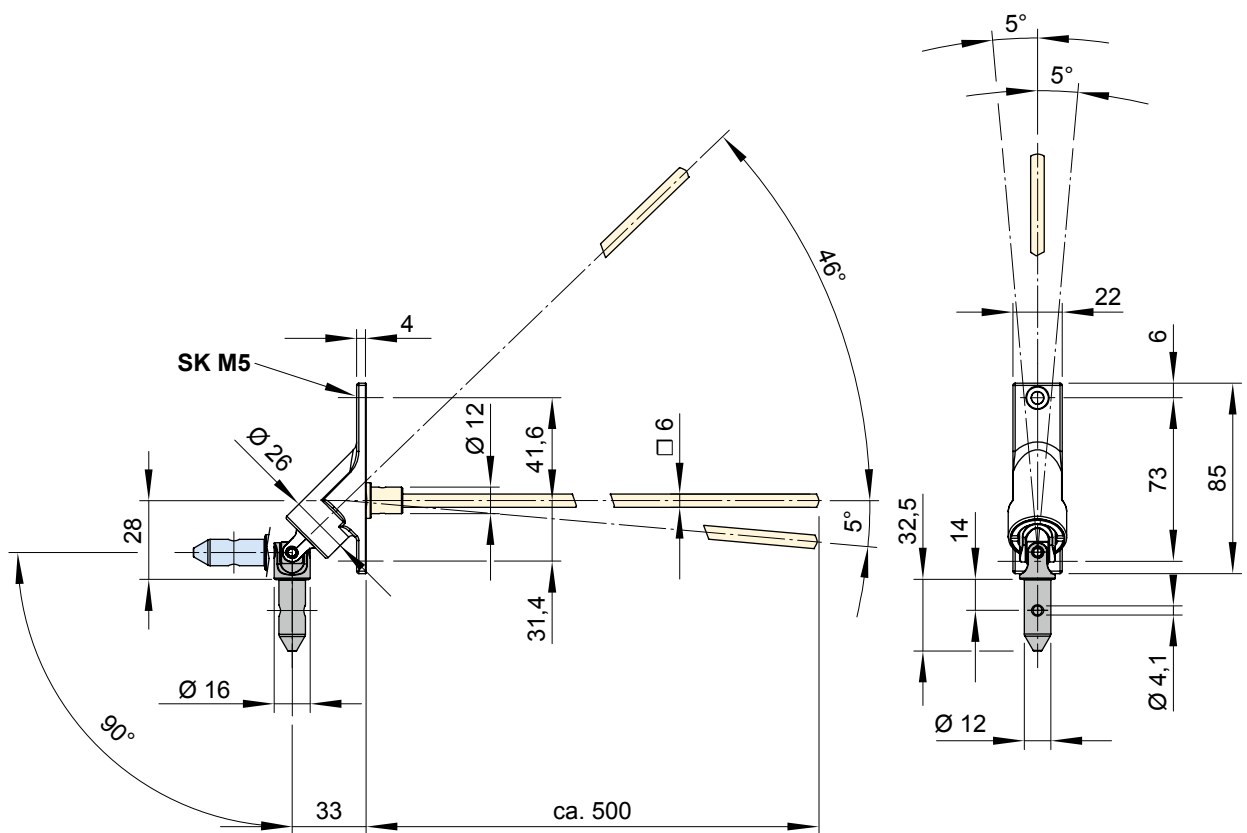
dimensions in mm

markilux 830

Face fixture, interior operation



Handle for interior operation



- BD = horizontal drill hole
- SK = countersunk srew hole M5

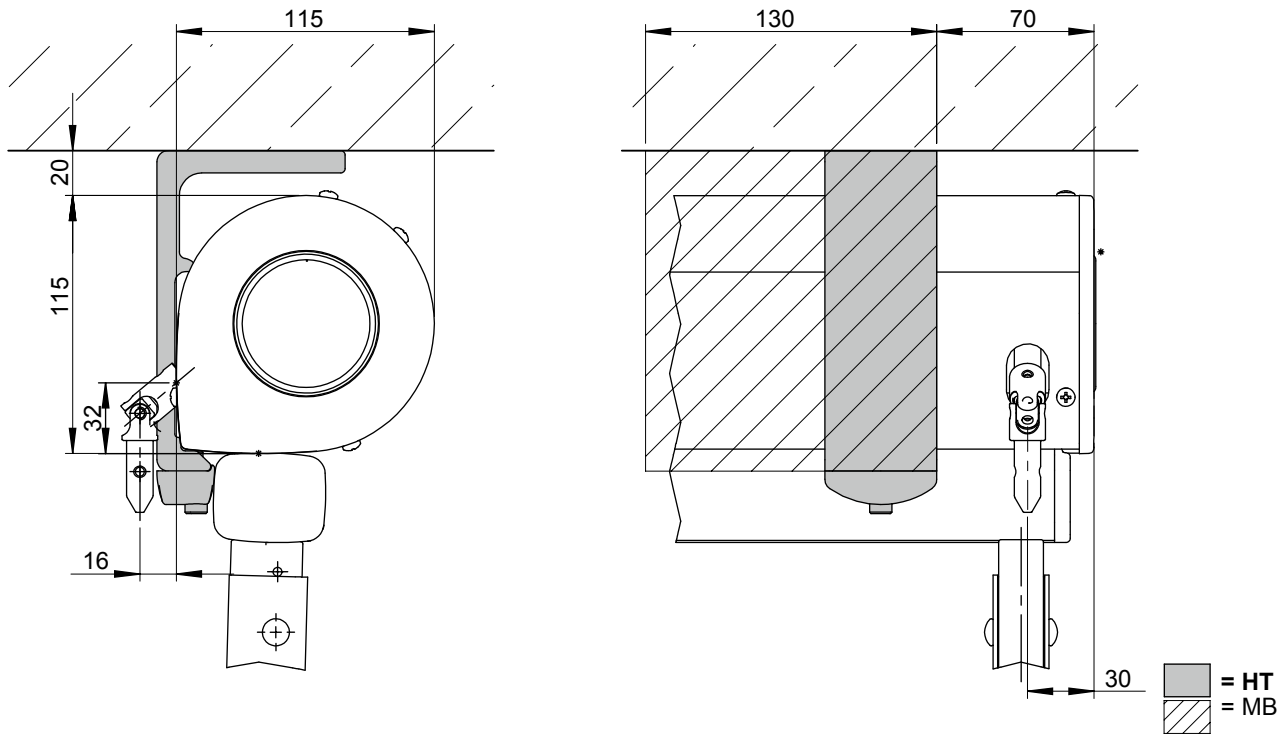
dimensions in mm

01
02
03
04
05
06
07
08
09
10
11
12
13
14
15
16
17
18
19
20

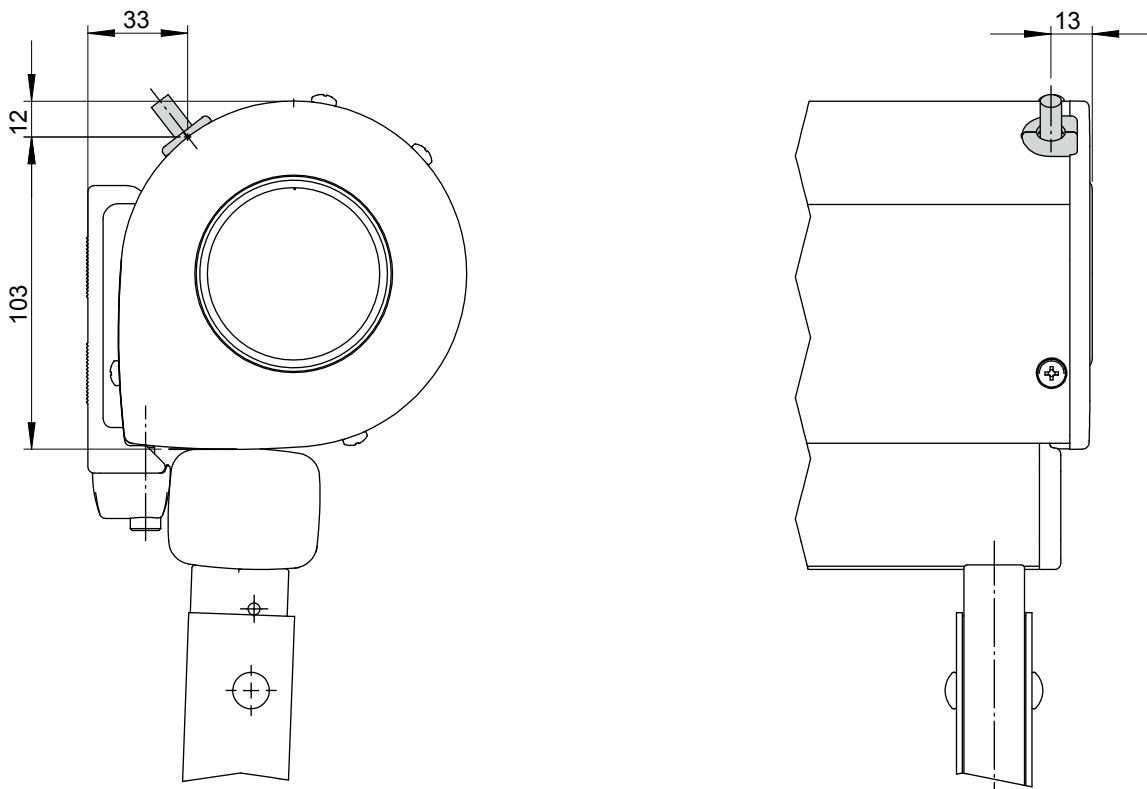
01
02
03
04
05
06
07
08
09
10
11
12
13
14
15
16
17
18
19
20

markilux 830

Manual operation from the rear



Motor cable exit point

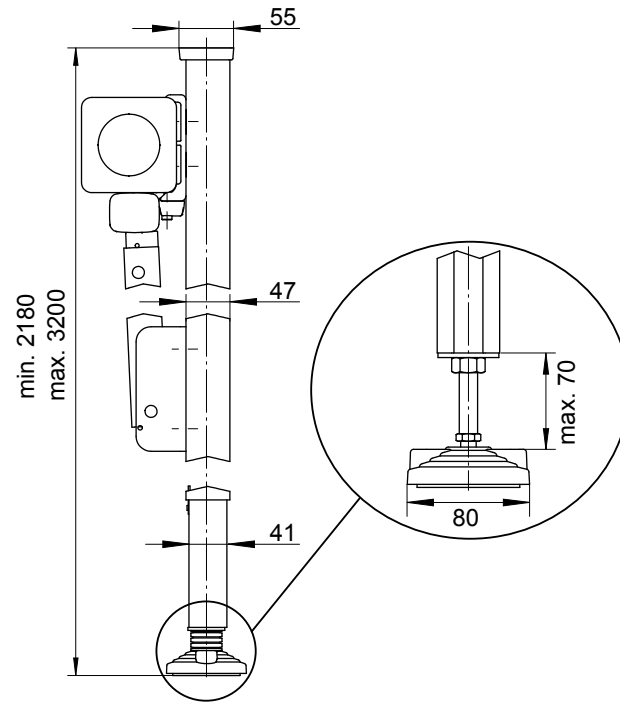


HT = bracket
MB = bracket fixture range

dimensions in mm

wedge-in accro bars

Illustrated by way of the markilux 730



N.B! Telescopic range 218–320 cm.

Maximum awning width 400 cm, up to two drop arms.

01

02

03

04

05

06

07

08

09

10

11

12

13

14

15

16

17

18

19

20

01

02

03

04

05

06

07

08

09

10

11

12

13

14

15

16

17

18

19

20