



Open style folding-arm awning

markilux 1700

The classic torque bar awning with a designer look. Technology laid bare with an award-winning appearance.



reddot design award
winner 2012



German
Design Award
NOMINEE 2014

markilux.com

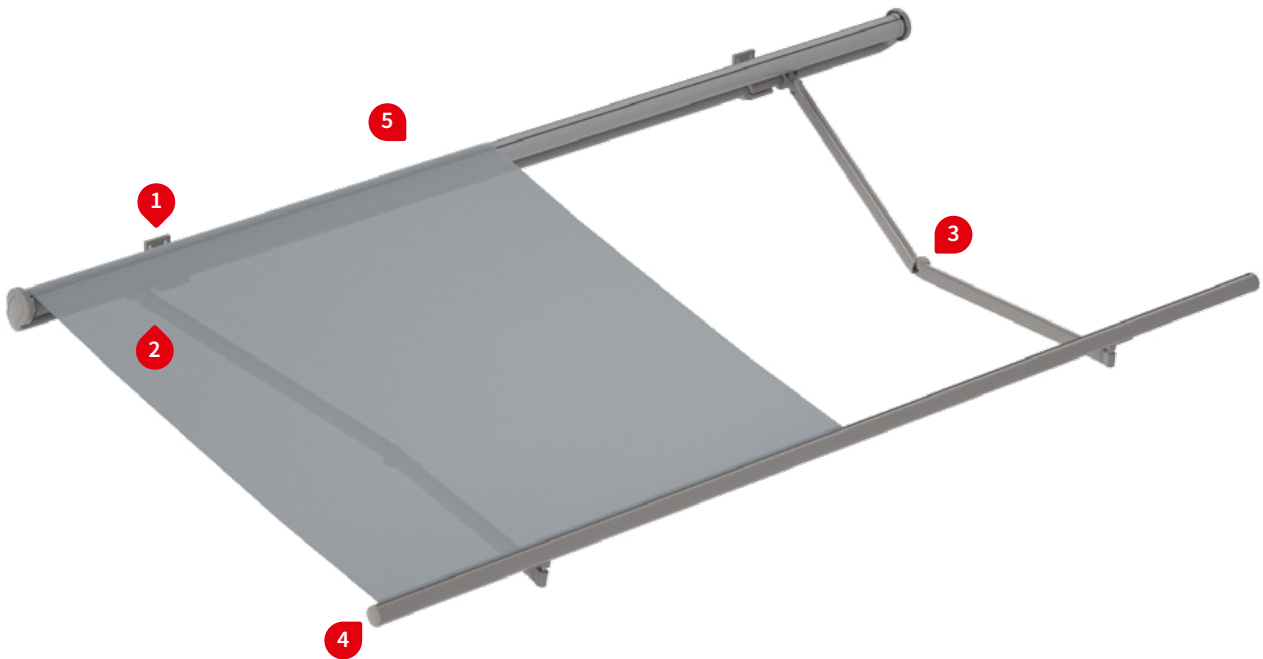
markilux

safe timeless beautiful

Product characteristics

Wind resistance class 2
Beaufort 5 → 7.5–10.4 m/s → 28–37 km/h → 17–23 mph

01
02
03
04
05
06
07
08
09
10
11
12
13
14
15
16
17



1 face fixture



1 face fixture, maximum pitch of 50°



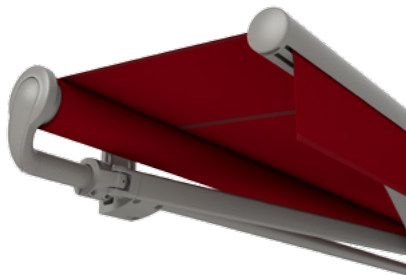
1 top fixture



2 gearbox with eye for crank handle



during extension



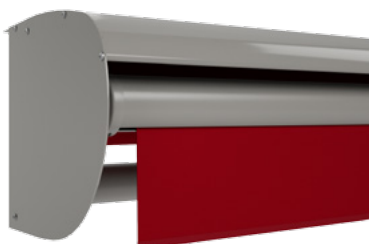
3 bionic tendon made of high-tech fibres for optimum power transference



4 special water drainage method and cover pocket hidden in the front profile



5 aluminium coverboard 1)



1) optional configuration

Product characteristics

Description

- open folding-arm awning with innovative arm technology suitable for shading large areas.

Special features

- awning with an extremely torsion-resistant, round torque bar which gives a certain degree of flexibility when choosing the fixture points
- round, fluid transition from the round torque bar to the round roller tube
- ingenious pitch adjustment – the angle of the awning is adjusted via the fixture bracket

Dimensions

- cassette in the standard version: depth 236 mm, height 216 mm
- single unit: minimum width 167 cm at the smallest projection of 150 cm, maximum width 700 cm at the largest projection of 400 cm
- also available as a coupled unit

Roller tube and lateral bearings

- round roller tube Ø 85 mm with keyway, galvanised steel – excellent stability, ensures near perfect cover performance even at the largest widths
- the roller support bracket is made of die-cast aluminium, powder coated, with integrated hidden cable canal when motor driven

Awning profiles

- extruded aluminium, in façade quality, powder coated
- circular front profile with integrated gutter
- round steel torque bar Ø 50 mm, galvanised both inside and out, powder coated

Folding arms

- profiles in extruded aluminium, in façade quality, powder coated
- moving parts made of drop-forged aluminium – the arms are therefore extremely fracture resistant
- pivot bolts in stainless steel run in Teflon-coated bronze bushes – practically maintenance free, virtually silent and extremely hard-wearing
- power transference via the innovative Bionic tendon at the elbow joint, made of high tensile, hightech fibres – low in friction, noiseless, insensitive to corrosion and UV resistant, independently tested by the Fraunhofer Institute

Side caps

- the roller support bracket insert sections are made of high-quality plastic, powder coated or in a polished chrome finish
- the front profile end caps are made of high-quality plastic, powder coated or in polished chrome, with drainage holes

Fixture brackets

- face fixture, top fixture, eaves fixture
- extruded aluminium, powder coated
- pitch range 5°–50°, infinitely adjustable
- spacer plates, stand-off brackets and other accessories are available

01 **Frame and end cap colours**

markilux frame colours without surcharge

02 traffic white RAL 9016

metallic aluminium RAL 9006

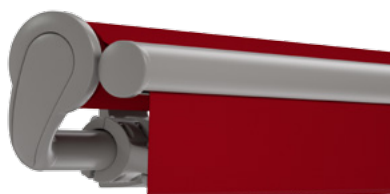
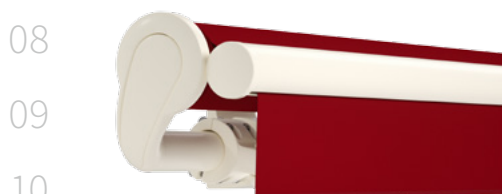
grey brown, similar to RAL 8019



06
07 off-white textured finish, 5233 ¹⁾

stone grey metallic, 5215 ¹⁾

anthracite metallic, 5204 ¹⁾



11 Havana brown textured finish, 5229 ¹⁾

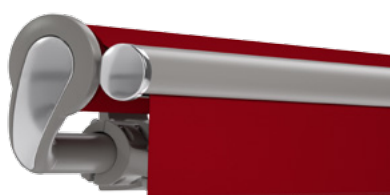
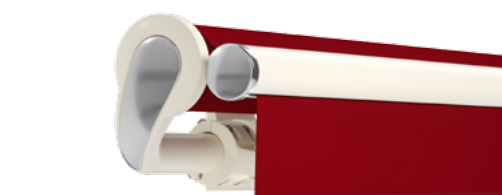


15

16 off-white textured finish, 5233 ¹⁾
17 insert and front profile end cap in polished chrome

stone grey metallic, 5215 ¹⁾
insert and front profile end cap in polished chrome

anthracite metallic, 5204 ¹⁾
insert and front profile end cap in polished chrome



Combination options – possible in any frame colour.

Non-standard powder-coated finish

Bespoke frame colours at a surcharge – matt, metallic and pearl finishes as well as other colour ranges (DB, Tiger etc.) on request. All frame colours are available at a surcharge with enhanced corrosion protection.

1) textured finish

Colours may differ slightly from those depicted in both hue and finish.

Dimensions and configuration options

Single unit

		Overall awning width										Minimum width				
		250	300	350	400	450	500	550	600	650	700 ¹⁾	Motor			Crank handle	
Order dimensions		176	251	301	351	401	451	501	551	601	651					
		250	300	350	400	450	500	550	600	650	700					
H	150	2)										180	167	—	182	169
	200	2)										230	217	—	232	219
	250	—	2)									280	267	—	282	269
	300	—	—	2)								330	317	—	332	319
	350	—	—	—	2)							380	367	630	382	369
	400¹⁾	—	—	—	—	2)						430	417	680	432	419

dimensions in cm

1) = only available with motor drive (surcharge)

2) = observe the minimum widths!

H = extension

= 2 folding arms, 2 brackets

= 2 folding arms, 3 brackets

= 3 folding arms, 4 brackets, 2 rolltex bearings

= 2 standard arms

= 2 bespoke arms (surcharge)

= 3 standard arms

Operation	standard	optional
crank handle	✓	—
spring-assisted crank handle	—	✓
hard-wired motor	—	✓
silentec motor (optionally with an external io / RTS receiver) ¹⁾	—	—
radio-controlled motor io, 868 MHz	—	✓
radio-controlled motor RTS, 433 MHz	—	✓
radio-controlled motor RTS, 433 MHz with manual override ¹⁾	—	—

1) for awnings with a maximum of 2 arms

Coupled Awning (only with motor drive)¹⁾

2 fields, 1 motor, maximum width 1390 cm
3 fields, 1 motor, maximum width 1950 cm
junction roller
optionally with a one-piece cover (maximum of 2 fields / projection 350 cm / 15° pitch)

1) **N.B!** – Important background information can be found in the chapter “General Information”, in the section “Coupled Awnings”.

Awning cover	fabric range no.	standard	optional
sunvas	301.. / 309..–315..	✓	—
perla	370 ..	—	✓
sunsilk	324.. / 325.. / 328.. / 369..	✓	—
perla FR	374.. / 375..	—	✓
perfotex	331.. / 332..	—	—
transolair	338..	—	—
vuscreen Alu	317..	—	—
Soltis Perform 92	92-20..	—	—
glass fibre screen	272..	—	—
valance, height 20 cm		✓	—

Shadeplus / drop valance

not available

01
02
03
04
05
06
07
08
09
10
11
12
13
14
15
16
17

Optional accessories

valance
infrared heater 2000 W / 2500 W
infrared heater 2500 W with integrated radio-controlled receiver 868 MHz io
LED spotline – light bar 110 × 70 mm with 5 W LED spotlights, width 180 cm / 3 spots or 300 cm / 5 spots
LED spotline io – light bar 110 × 70 mm with 5 W LED spotlights with integrated dimmable radio-controlled receiver, width 180 cm / 3 spots or 300 cm / 5 spots
LED spotline io – light bar 145 × 75 mm with 5 W LED spotlights with integrated dimmable radio-controlled receiver and remote control, 180 cm / 3 spots or 300 cm / 5 spots (discontinued from January 2018)
Halogen spotline – light bar 89 mm × 40 mm with 20 W halogen spotlights, 200 cm / 3 spots or 300 cm / 5 spots
automatic controls (light, wind, rain)

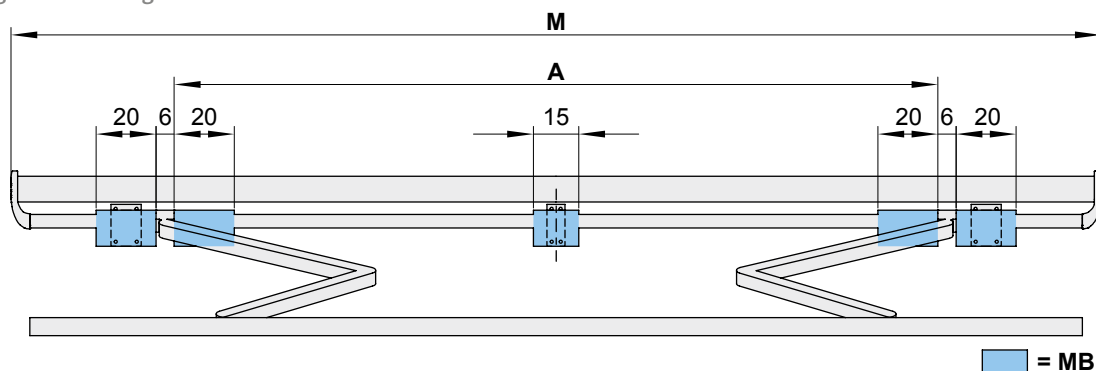
N.B! – Important background information can be found in the chapter “Optional Accessories”.

Fixture brackets

wall bracket 100 mm	70867.
wall bracket 45 mm	71813.
spreader plate A 430 × 160 × 12 mm	75326.
spreader plate B 300 × 400 × 12 mm	75325.
stand-off bracket wide 80–300 mm	77968.
stand-off bracket narrow 80–300 mm	77967.
top fixture bracket 90 mm	70868.
top fixture bracket 45 mm	71818.
eaves fixture bracket 90 mm, 150 mm plate	71612.
eaves fixture bracket 90 mm, 270 mm plate	71659.
flat plate and angled bracket for eaves fixture, machine finish aluminium, 500 mm plate	716620
spreader plate 260 × 60 × 12 mm for eaves fixture bracket	75383.
angled profile for eaves fixture 160 × 160 × 12 mm, machine finish aluminium, undrilled, by the metre (max. 3 m)	79380.

Bracket fixture range

Awning with 2 folding arms



dimensions in cm

		Overall awning width								
		250	300	350	400	450	500	550	600	650
Order dimensions		180	251	301	351	401	451	501	551	601
		250	300	350	400	450	500	550	600	650
		Arm position A								
H	150	154 ¹⁾	210	240	280	320	390	425	460	500
	200	204 ²⁾	210 ¹⁾	240	280	320	390	425	460	500
	250	—	254 ²⁾	260 ¹⁾	280	320	390	425	460	500
	300	—	—	304 ²⁾	310 ¹⁾	320	390	425	460	500
	350	—	—	—	354 ²⁾	360 ¹⁾	390	425	460	—
	400	—	—	—	—	404 ²⁾	420 ¹⁾	425	460	—

dimensions in cm

BHT		No. of brackets No. of fixing points	
W	45	—	
	100	2 6	
BP		A 2 16	B 2 8
DP		—	
DE	45	—	
	90	2 8	
DA	90	2 8	

dimensions in mm

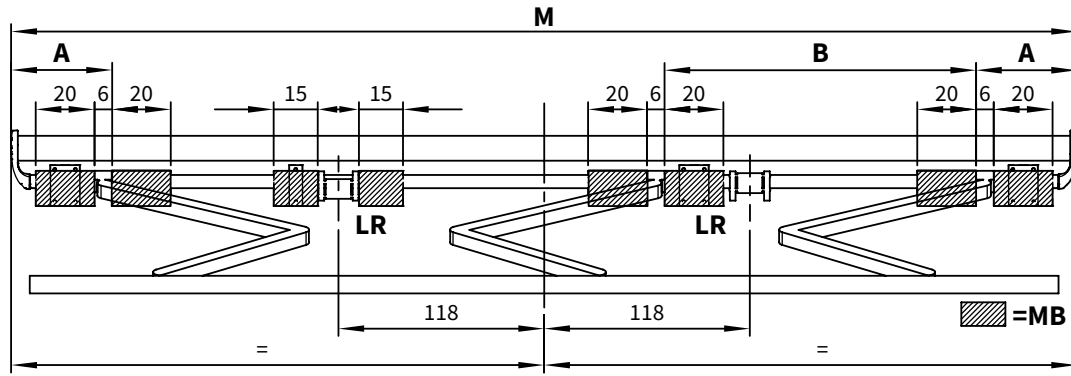
If the brackets cannot be positioned in accordance with this table, make sure the actual measurements are noted on the order form!

- 1) = coupled awning in intermediate widths available on request with junction roller
- 2) = please note the minimum widths! Dimension A is only valid for standard arms! Dimension A is 13 cm smaller in the case of bespoke arms. In the case of small awnings the brackets can only be fitted inside the arms, i.e. the position denoted by measurement A. Coupled units are not available with junction roller.

- A = arm position
- BHT = bracket width
- BP = spreader plate A or B, to be positioned behind the folding arm
- DA = eaves fixture bracket
- DE = top fixture bracket
- DP = spacer plate 71826., to be positioned near to the cassette support in the case of spreader plate A or B
- H = *order dimension* = extension
- M = *order dimension* = awning width
- MB = bracket fixture range
- W = face fixture bracket

Bracket fixture range

Awning with 3 folding arms



dimensions in cm

Overall awning width	
650	700

Order dimensions	630	651	665	680
	650	664	679	700

		Arm position							
		A	B	A	B	A	B	A	B
H	150	—	—	55	235	55	245	55	245
	200	—	—	55	225	55	235	55	235
	250	—	—	55	215	55	225	55	225
	300	—	—	45	210	55	215	55	215
	350	13 ¹⁾	215 ¹⁾	23 ¹⁾	215 ¹⁾	31 ¹⁾	225 ¹⁾	38	225
	400	—	—	—	—	—	—	13 ¹⁾	230 ¹⁾

dimensions in cm

15

BHT		No. of brackets No. of fixing points	
W	45	1 2	
	100	3 9	
BP		A 3 24	B 3 12
DP		1	
DE	45	1 2	
	90	3 12	
DA	90	4 16	

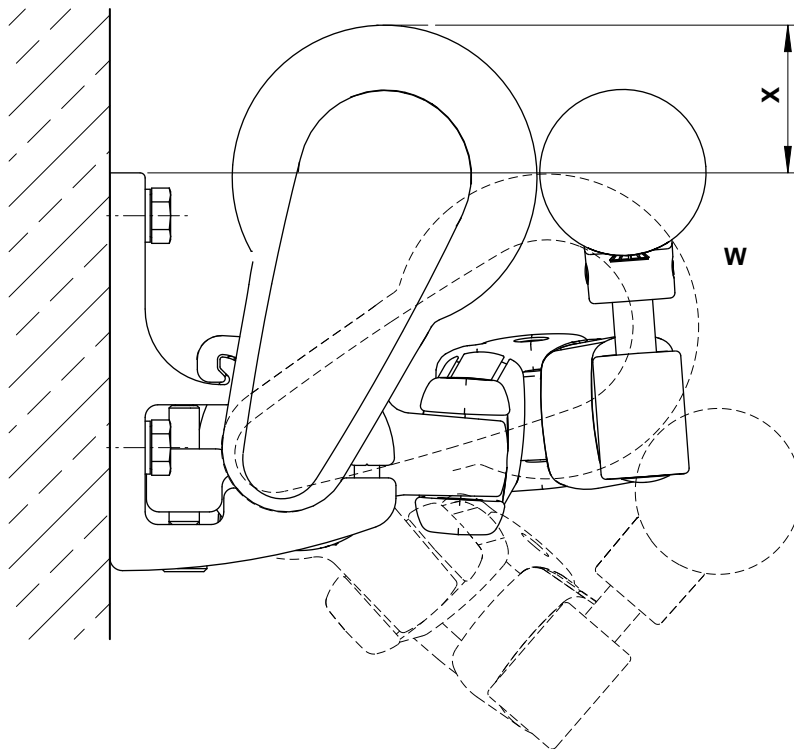
dimensions in mm

If the brackets cannot be positioned in accordance with this table, make sure the actual measurements are noted on the order form!

- 1) = coupled units are not available with junction roller
- A, B = arm position
- BHT = bracket width
- BP = spreader plate A or B, to be positioned behind the folding arm
- DA = eaves fixture bracket
- DE = top fixture bracket
- DP = spacer plate 71826., to be positioned near to the left rolltex bearing in the case of fixture with spreader plate A or B
- H = *order dimension* = extension
- LR = rolltex bearing
- M = *order dimension* = awning width
- MB = bracket fixture range
- W = face fixture bracket

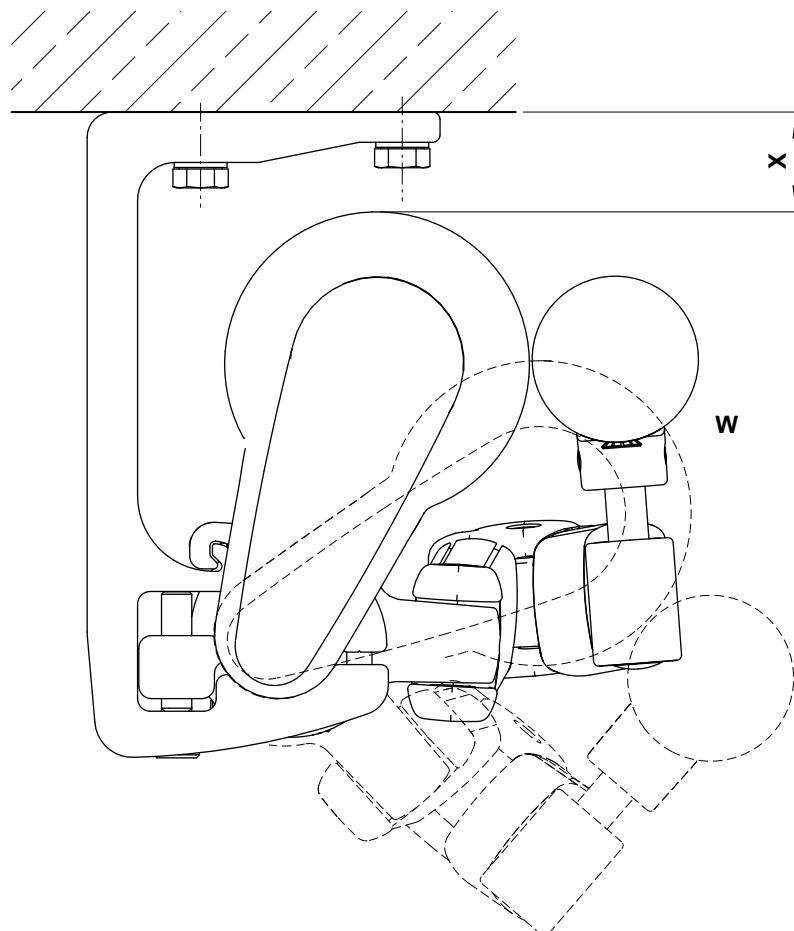
Overall unit height at different pitch settings

Face fixture



pitch (W)	approx. height in mm (X)
5°	59
10°	55
15°	50
20°	45
25°	39
30°	32
35°	25
40°	17
45°	8
50°	0

Top fixture



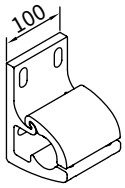
pitch (W)	approx. height in mm (X)
5°	40
10°	44
15°	48
20°	54
25°	60
30°	66
35°	74
40°	82
45°	90
50°	99

01
02
03
04
05
06
07
08
09
10
11
12
13
14
15
16
17

15

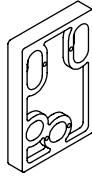
Face fixture

Fixtures, fittings and accessories



face fixture bracket
100 mm

70867.



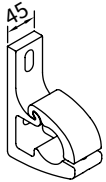
spacer plate for face fixture
100 × 150 × 20 mm
N.B!
stack to a max. height of 200 mm

718231



spacer plate for face fixture
100 × 150 × 12 mm

718241



face fixture bracket
for central fixture,
depending on size
45 mm

71813.



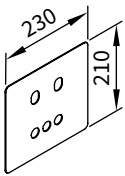
spacer plate for face fixture
45 × 150 × 20 mm
N.B!
stack to a max. height of 200 mm

718251



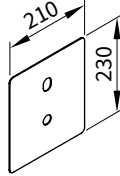
spacer plate for face fixture
45 × 150 × 12 mm

71826.



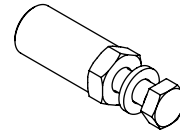
cover plate for spacer plate and stand-off brackets in the case of external insulation
230 × 210 × 2 mm

71843.



cover plate for spacer plate and stand-off brackets in the case of external insulation
210 × 230 × 2 mm

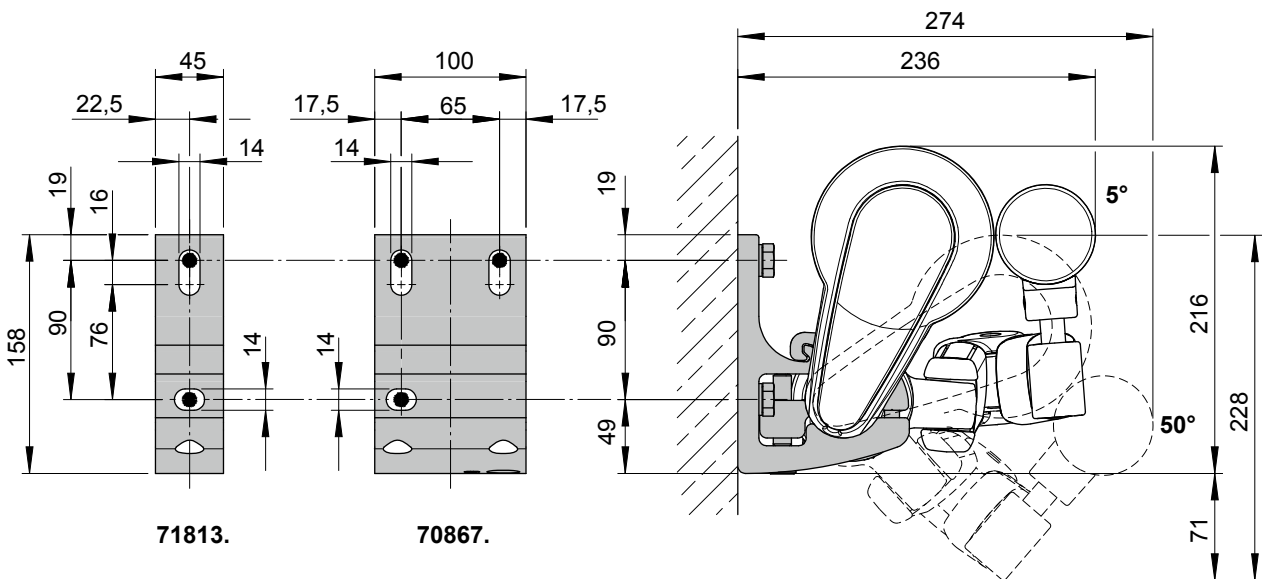
71844.



bolt reduction assembly
pack 10 pcs

M 16 → M 12 | M 16 → M 10 | M 12 → M 10 | M 10 → M 10

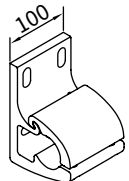
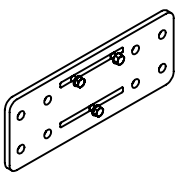
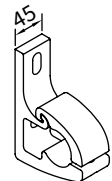

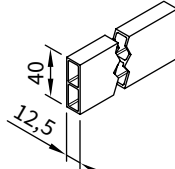
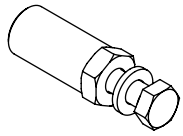
15



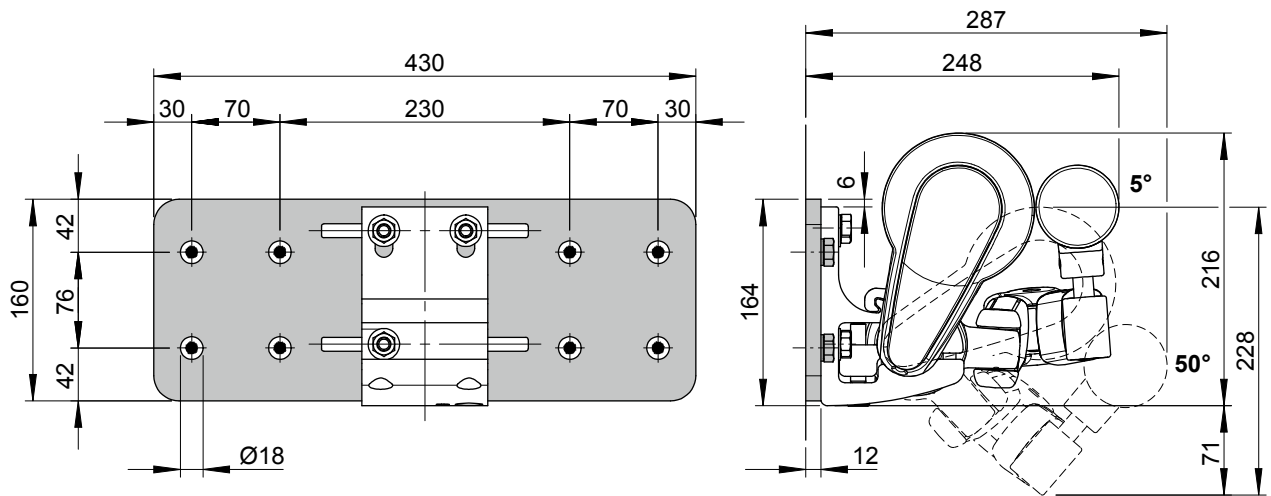
dimensions in mm

Face fixture with spreader plate A

Fixtures, fittings and accessories

 <p>face fixture bracket 100 mm</p> <p>70867.</p>	 <p>spreader plate A face fixture 160 × 430 × 12 mm</p> <p>75326.</p>	 <p>face fixture bracket for central fixture, depending on size 45 mm</p> <p>71813.</p>
 <p>spacer plate for face fixture 45 × 150 × 12 mm</p> <p>71826.</p>	 <p>stand-off strip for wall sealing profile available by the metre</p> <p>751971</p>	 <p>bolt reduction assembly pack 10 pcs</p> <p>M 16 → M 12 M 16 → M 10 M 12 → M 10 M 10 → M 10</p>

01
02
03
04
05
06
07
08
09
10
11
12
13
14
15
16
17

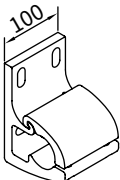
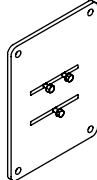
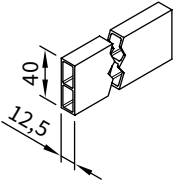

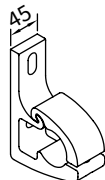
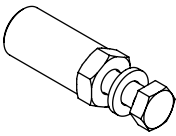


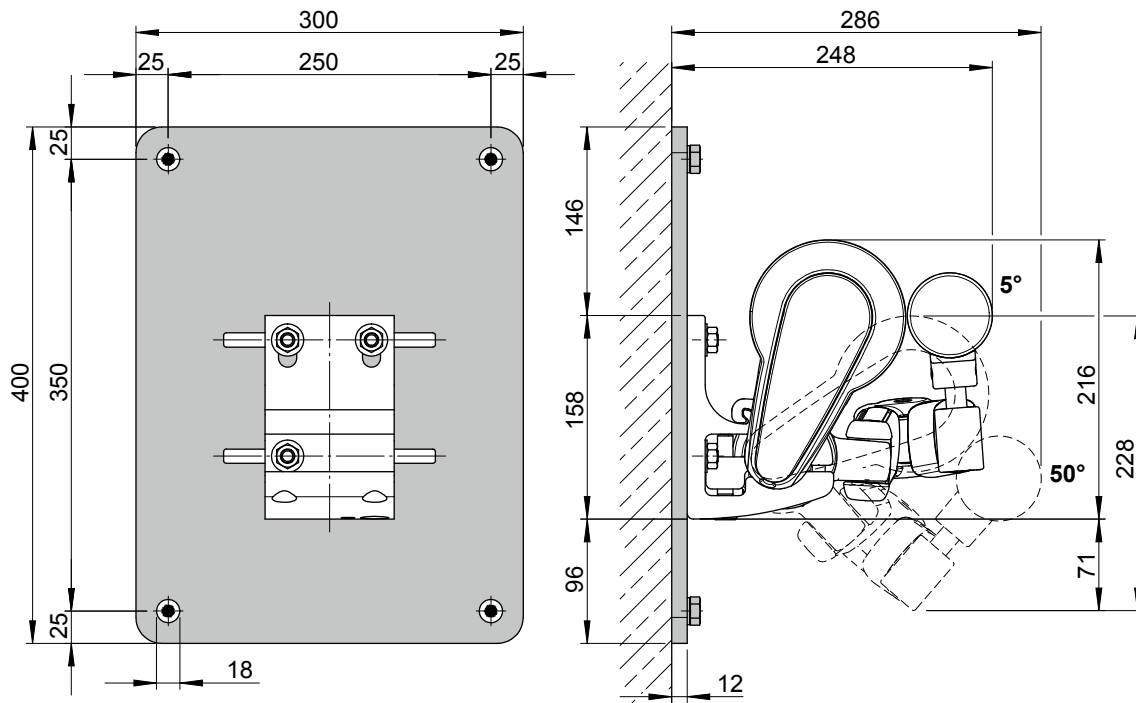
dimensions in mm

01
02
03
04
05
06
07
08
09
10
11
12
13
14
15
16
17

Face fixture with spreader plate B

Fixtures, fittings and accessories

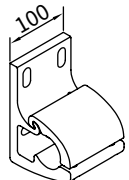
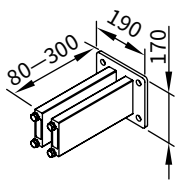
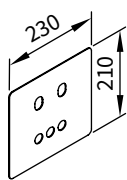
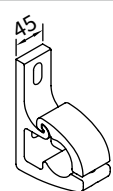
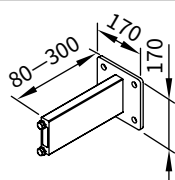
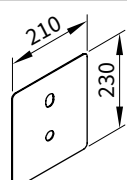
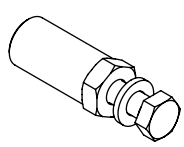
 <p>face fixture bracket 100 mm</p> <p>70867.</p>	 <p>spreader plate B face fixture 300 × 400 × 12 mm</p> <p>75325.</p>	 <p>stand-off strip for wall sealing profile available by the metre</p> <p>751971</p>
 <p>spacer plate for face fixture 45 × 150 × 20 mm</p> <p>71826.</p>	 <p>face fixture bracket for central fixture, depending on size 45 mm</p> <p>71813.</p>	 <p>bolt reduction assembly pack 10 pcs</p> <p>M 16 → M 12 M 16 → M 10 M 12 → M 10 M 10 → M 10</p>

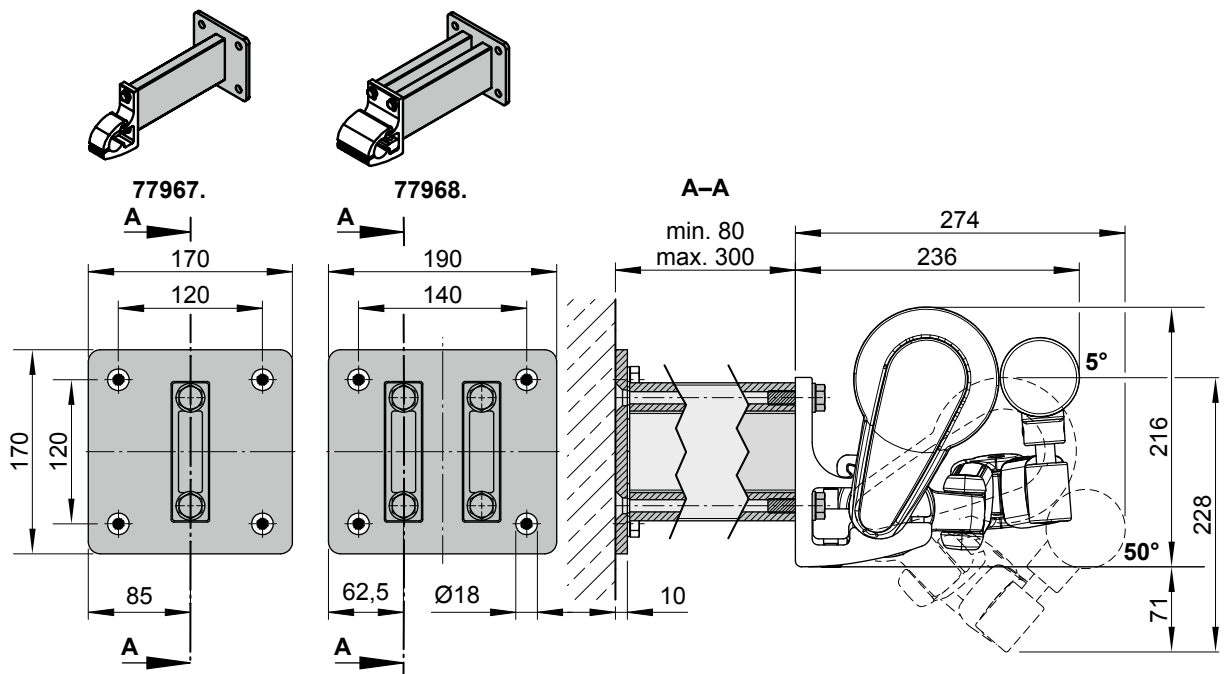


dimensions in mm

Face fixture with stand-off bracket

Fixtures, fittings and accessories

 <p>face fixture bracket 100 mm</p> <p>70867.</p>	 <p>guide rod bracket for face fixture bracket 70867.</p> <p>77968.</p>	 <p>cover plate for spacer plate and stand-off brackets in the case of external insulation</p> <p>230 × 210 × 2 mm</p> <p>71843.</p>
 <p>face fixture bracket for central fixture, depending on size</p> <p>45 mm</p> <p>71813.</p>	 <p>guide rod bracket for face fixture bracket 71813.</p> <p>77967.</p>	 <p>cover plate for spacer plate and stand-off brackets in the case of external insulation</p> <p>210 × 230 × 2 mm</p> <p>71844.</p>
 <p>bolt reduction assembly pack 10 pcs</p> <p>M 16 → M 12 M 16 → M 10 M 12 → M 10 M 10 → M 10</p>		

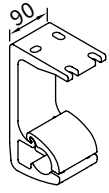


dimensions in mm

01
02
03
04
05
06
07
08
09
10
11
12
13
14
15
16
17

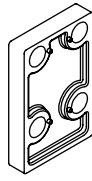
01 Top fixture

02 Fixtures, fittings and accessories



top fixture bracket
90 mm

70868.



spacer plate for top fixture
90 × 140 × 20 mm

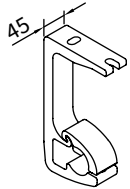
N.B!
stack to a max. height of 200 mm

716311



spacer plate for top fixture
90 × 140 × 12 mm

716411



top fixture bracket
additional bracket for 3 folding arms

71818.



spacer plate for top fixture
45 × 140 × 20 mm

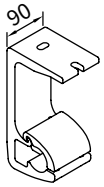
N.B!
stack to a max. height of 200 mm

716261



spacer plate for top fixture
45 × 140 × 12 mm

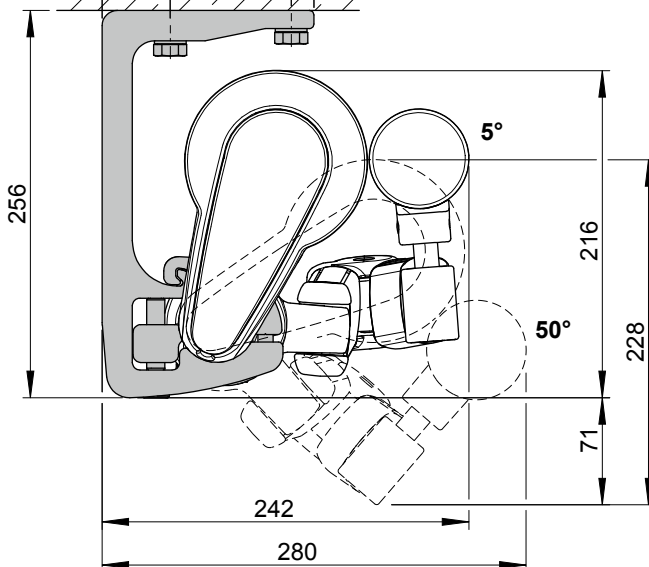
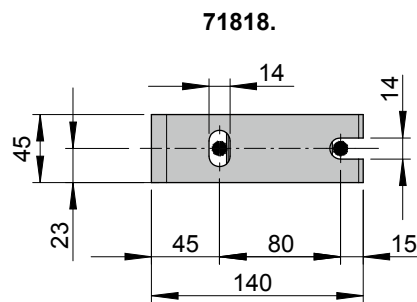
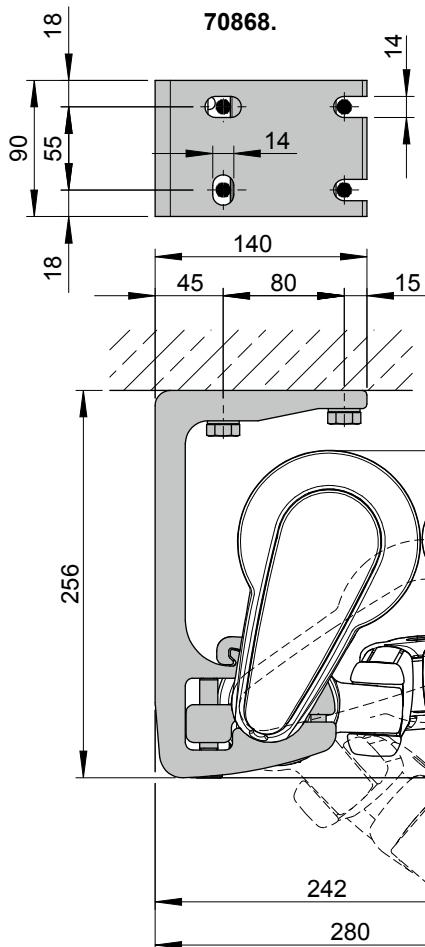
716371



top fixture bracket

N.B!
The pull-out forces are doubled compared to those of top fixture bracket 70868.

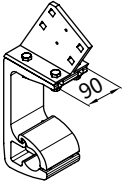
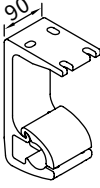
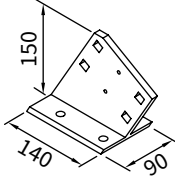
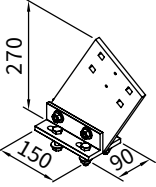
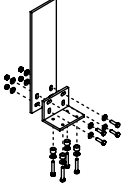
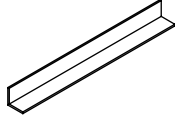
70869.



dimensions in mm

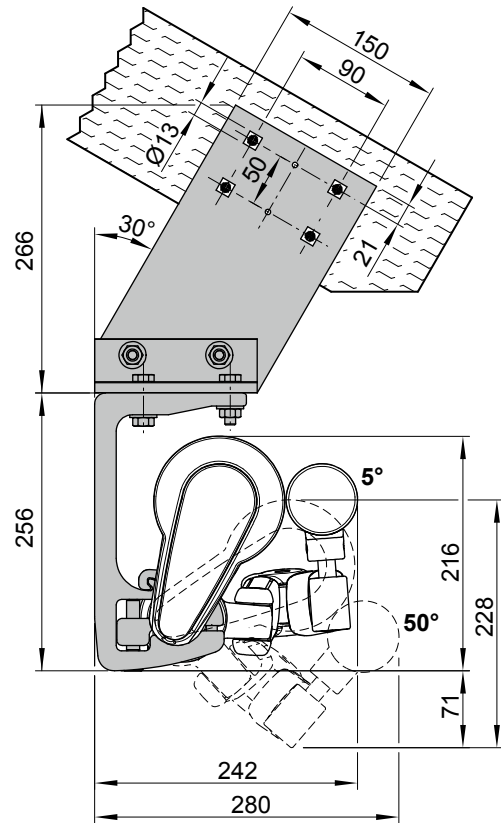
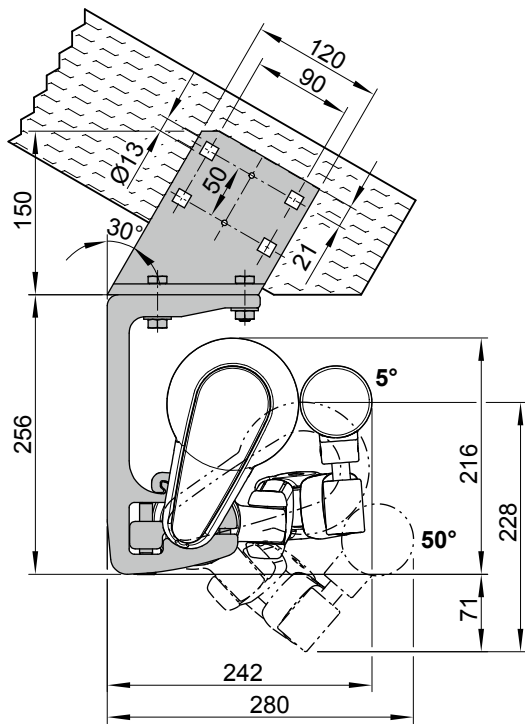
Eaves fixture

Fixtures, fittings and accessories

 <p>eaves fixture bracket complete set height of flat plate: 150 mm 90 mm</p> <p>70871.</p>	 <p>top fixture bracket 90 mm</p> <p>70868.</p>	 <p>eaves fixture bracket 150 mm plate</p> <p>71612.</p>
 <p>eaves fixture bracket 270 mm plate See "Eaves fixture with spreader / backing plate"</p> <p>71659.</p>	 <p>flat plate and angled bracket for eaves fixture machine finish</p> <p>716620</p>	 <p>angled profile eaves fixture bracket 100 × 100 mm Sold by the metre, not pre-drilled 793800 = machine finish</p> <p>79380.</p>

With eaves fixture bracket, 150 mm plate (71612.)

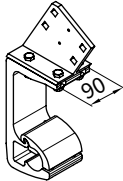
With eaves fixture bracket, 270 mm plate (71659.)



dimensions in mm

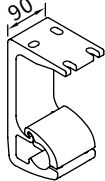
Eaves fixture with additional plate

Fixtures, fittings and accessories



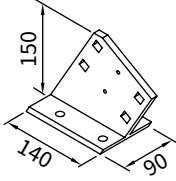
eaves fixture bracket
complete set
height of flat plate: 150 mm
90 mm

70871.



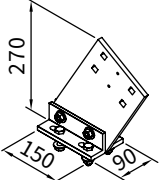
top fixture bracket
90 mm

70868.



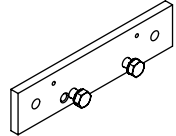
eaves fixture bracket
150 mm plate

71612.



eaves fixture bracket
270 mm plate
see "Eaves fixture with spreader / backing plate"

71659.

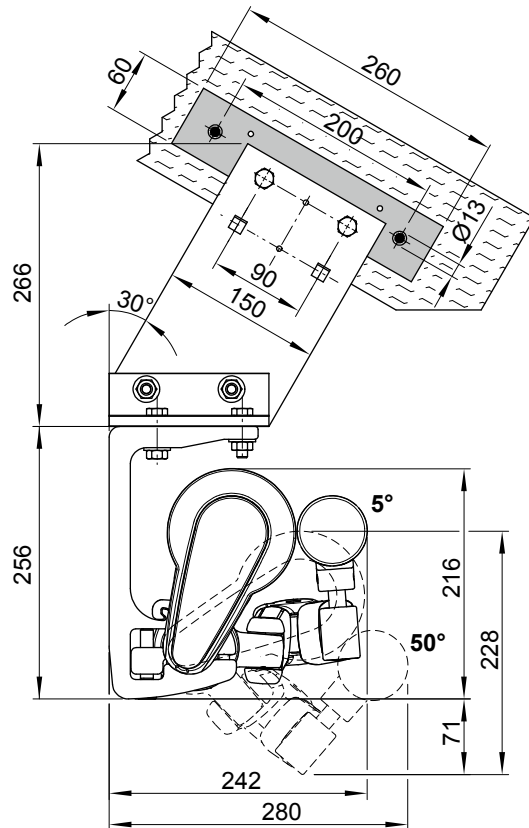
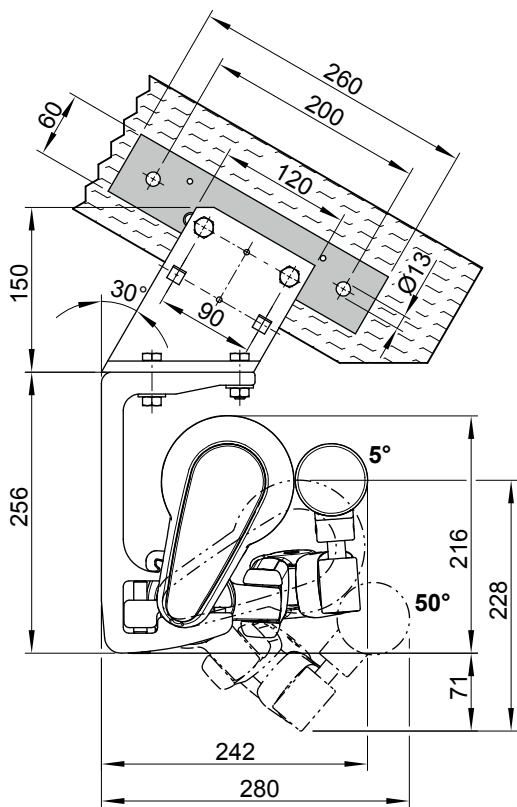


supplementary flat plate eaves fixture
260 × 60 × 12 mm
See "Eaves fixture with spreader / backing plate"

75383.

With eaves fixture bracket, 150 mm plate (71612.)

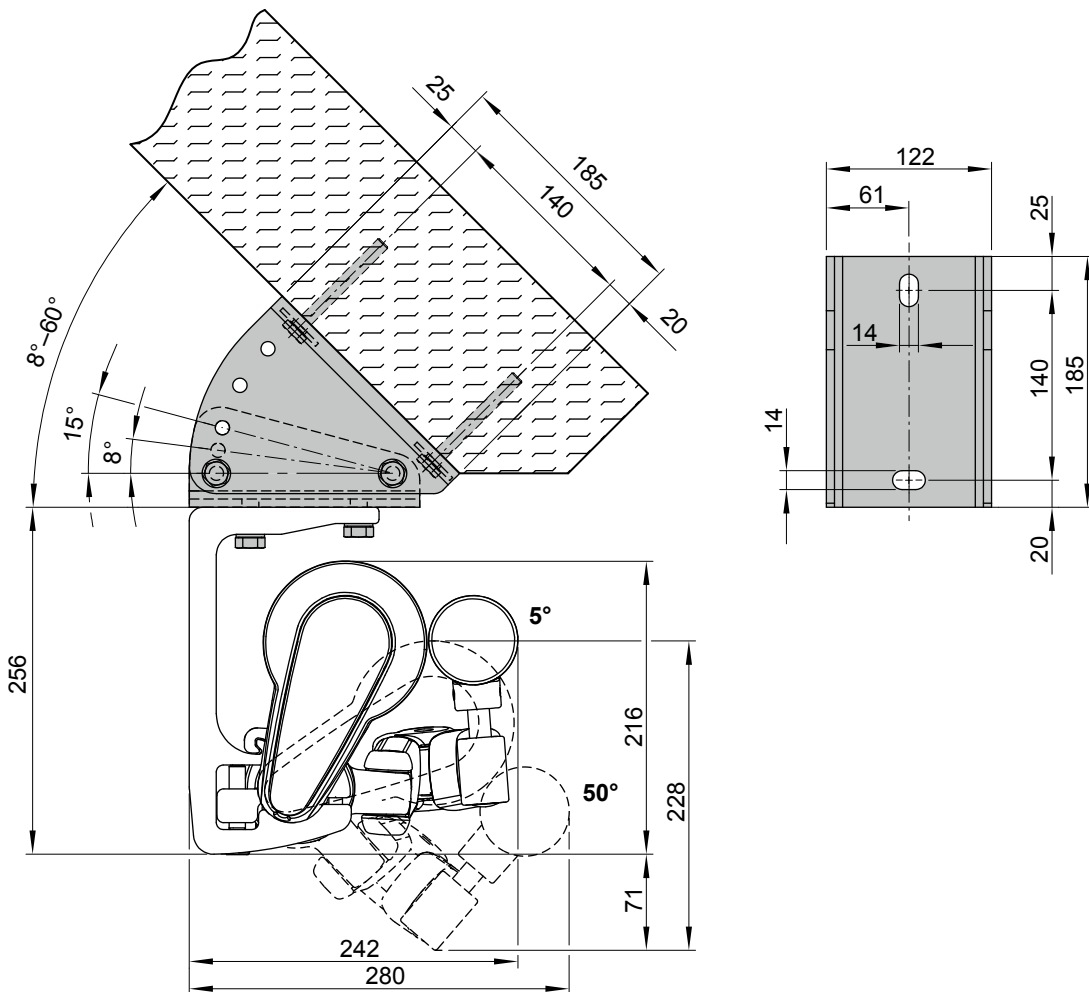
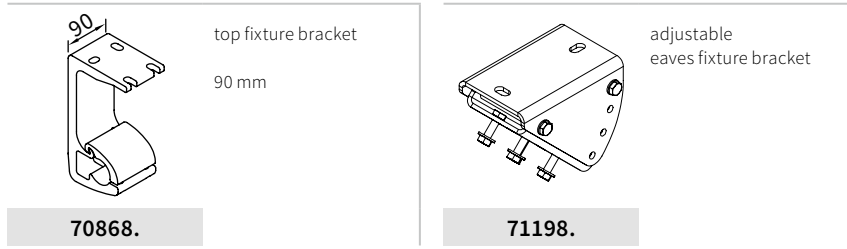
With eaves fixture bracket, 270 mm plate (71659.)



dimensions in mm

Eaves fixture with adjustable eaves fixture bracket

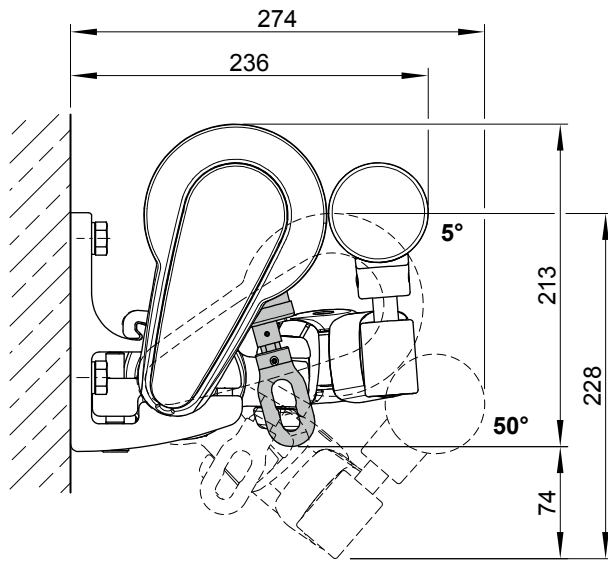
Fixtures, fittings and accessories



dimensions in mm

01
02
03
04
05
06
07
08
09
10
11
12
13
14
15
16
17

01 **Face fixture, manual gearbox operation, dimensions at pitches between 5°–50°**

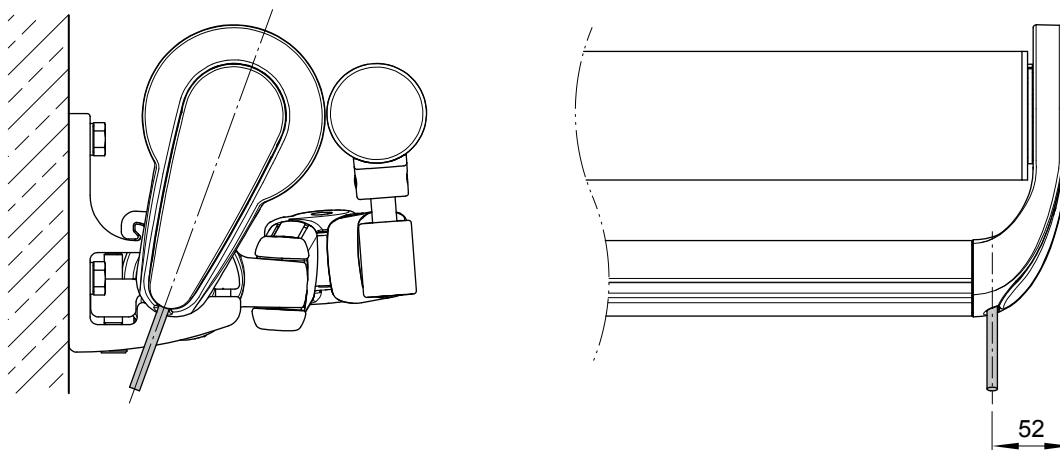


12

13

14 **Motor cable exit point**

15



dimensions in mm