



Awning System

## **markilux markant**

The free-standing textile sun and wet weather protection system in a puristic design.

01  
02  
03  
04  
05  
06  
07

## Product characteristics

Wind resistance class 3  
Beaufort 6 → 38–48 km/h → 10.5–13.4 m/s → 24–30 mph



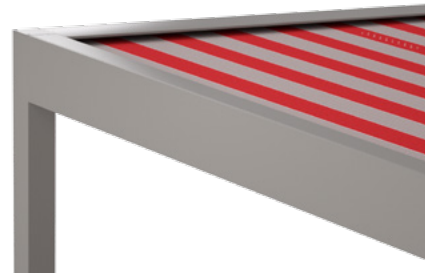
1 perfectly levelled appearance



2 water drainage through the centre of the fabric in the direction of extension



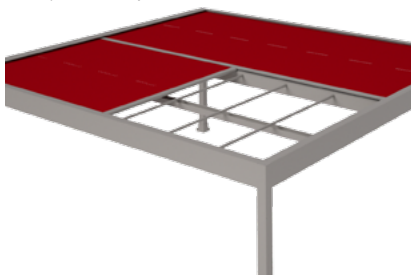
3 personalised look by virtue of the comprehensive range of fabric patterns



4 cover support profiles



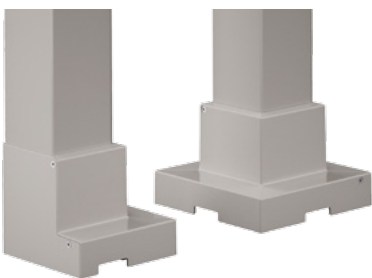
5 the fields can be extended independently of one another (2-field unit)



6 the inside of the frame system can be cleaned with ease



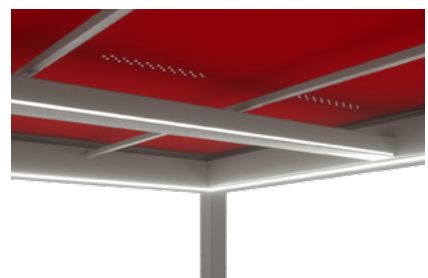
7 symmetrical <sup>1)</sup> and asymmetrical post footplate covers



8 can be easily combined with the markilux 625 tracfix and 776 tracfix <sup>1)</sup>



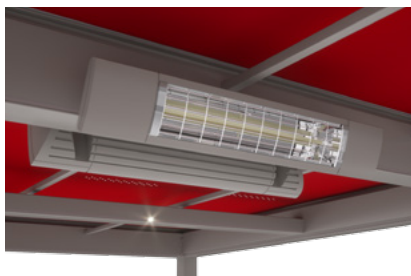
9 LED-Line in the frame and in the rain gutter <sup>1)</sup>



10 LED-Spots attached to the rain gutter <sup>1)</sup>



11 markilux infrared heater <sup>1)</sup> integrated



12 radio-controlled motor io with markilux transmitter, standard



1) optional configuration

## Product characteristics

### Description

- free-standing quadratically shaped awning system on four posts, defined as sun and wet weather protection.
- the integrated single or double awning unit lends the system a unique textile character.
- rainwater drains through the specially manufactured cover into a gutter running down the centre of each awning.
- areas up to 3 x 6 m can be protected with one panel of fabric or 6 x 6 m with two panels.

### Special features

- radio-controlled motor in io technology as standard
- in a 2-field unit, each awning can be operated independently
- the tried and tested tensioning system – with drive belts and integrated gas pistons – delivers optimum cover tension in any phase of extension
- with tracfix system, the continuous lateral cover guidance system that leaves no gap between the cover and guide tracks
- cover support profiles, aligned across the awning (removable as required) for even greater stability
- the awning cover is bonded with stabilising vertical panel joints – in the case of the sunvas and sunsilk series the standard panel width is 120 cm (sunvas oversized fabric material is used seamlessly up to a post centre to centre separation in the width of 250 cm)
- rainwater drains through holes in the material into a gutter which runs centrally from back to front
- water is guided through the gutter integrated into the frame via the posts to the ground
- numerous lighting and heating options
- can be combined perfectly with the vertical blinds markilux 625 tracfix and 776 tracfix (the latter optionally with panorama window) to create a modern, interior design – outdoors

### Dimensions

- 1 field 1 motor: width 213.5–312.5 cm. extension maximum 612.5 cm
- 2 fields 2 motors :total width 313.5–612.5 cm, extension maximum 612.5 cm, field widths always symmetrical
- total height standard 260 cm, minimum 64 cm – maximum 350 cm

### Awning profiles

- extruded aluminium, in façade quality, powder coated
- square post profile 125 x 125 mm with integrated cable ducts, very easily accessible
- the frame is visually square in appearance, height 280 mm

### Corner joints

- corner joints of the frame made of die-cast aluminium, covers made of extruded aluminium, powder coated
- the sophisticated design ensures easy access to and maintenance of the front profile of the frame

### Post footplates

- the post feet can be adjusted by 120 mm in height to allow the system to be levelled
- asymmetrical footplate covers as standard, 201 x 201 mm, made of die-cast aluminium, powder coated
- symmetrical footplate covers are optionally available, 270 x 270 mm, made of die-cast aluminium, powder coated

### Use in wind, rain and snow

- the awning must be retracted at wind speeds of more than 48 km/h / 30 mph. Gusts of wind can the fabric cover to hit the cover support profiles / rain gutter and thus generate noise. As a result, draining water may miss the gutter. The awning system must be retracted in gusty wind conditions
- the awning may be used in rain up to performance class 2 (56 l/m<sup>2</sup> per hour) according to EN 13561. This value assumes even rainfall over the hourly period
- in the case of heavy rainfall the system must be retracted
- snow must not be allowed to load the system

**Please note: We recommend two electric lifts for installation. E.g. “Portable awning lift Upter CM 340” bearing load 120 kg / extendable height 3.3 m from KeM. Tech [www.kemtech-ksf.com](http://www.kemtech-ksf.com)**

For additional information and configuration options, please refer to the section “General Information” and “markilux Optional Accessories” in the volume “Designer Blinds for Windows | Glass Canopy Awnings”.

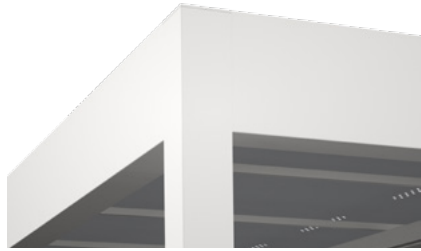
01 **Frame colours**

## 02 markilux frame colours without surcharge

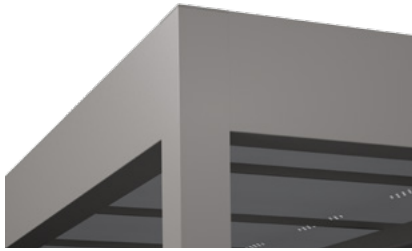
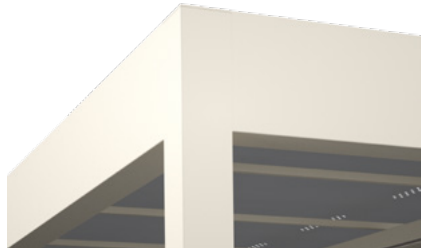
03 traffic white RAL 9016

metallic aluminium RAL 9006

grey brown, similar to RAL 8019



06

07 off-white textured finish, 5233 <sup>1)</sup>stone grey metallic, 5215 <sup>1)</sup>anthracite metallic, 5204 <sup>1)</sup>Havana brown textured finish, 5229 <sup>1)</sup>**1)** textured finish

Colours may differ slightly from those depicted in both hue and finish.

## Dimensions and configuration options

		SAM M				
		300	400	500	600	
SAM H	300	201-300				
	400	301-400				
	500	401-500				
	600	501-600				

Order dimensions	300	400	500	600
201	301	401	501	
300	400	500	600	

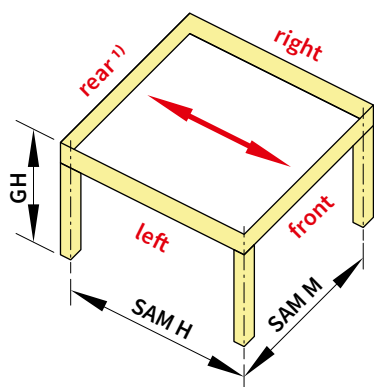
  

	= 1 field
	= 2 field

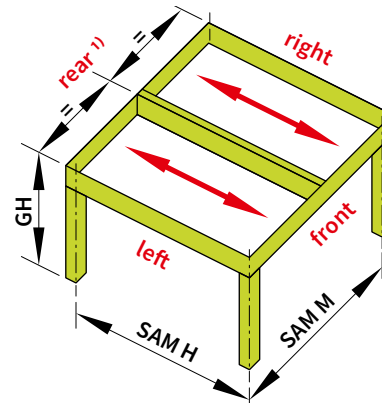
dimensions in cm

01  
02  
03  
04  
05  
**06**  
07

markilux markant 1 field



markilux markant 2 fields



**GH** = order dimension = overall height (standard = 260 cm; min. 64 cm – max. 350 cm)

**SAM H** = order dimension = centre to centre post separation in the direction of extension

**SAM M** = order dimension = centre to centre post separation in the direction of the width

1) cable exit point optionally via the left or right post foot at the rear, cable exit point at the front on request

Operation	standard	optional	Awning cover	fabric range no.	standard	optional
crank handle	—	—	sunvas	301.. / 309..–315..	✓	—
hard-wired motor	—	—	perla	370 ..	—	✓
silentec motor (optionally with an external radio receiver io / RTS)	—	—	sunsilk	324.. / 325.. / 328.. / 369..	✓	—
radio-controlled motor io, 868 MHz	✓	—	perla FR	374.. / 375..	—	✓
radio-controlled motor RTS, 433 MHz	—	—	perfotex	331.. / 332..	—	—
radio-controlled motor RTS, 433 MHz with manual override	—	—	transolair	338..	—	—
			vuscreen Alu	317..	—	—
			Soltis Perform 92	92-20..	—	—
			glass fibre screen	272..	—	—

Control options of lighting / heating	standard	optional
on / off switch	—	—
radio controlled dimmer io 868 MHz	✓	—
radio controlled dimmer RTS 433 MHz	—	—

### Coupled awning system

not available

### Optional accessories

- LED-Line all around in the frame profile
  - LED-Line in the rain gutter <sup>2)</sup>
  - LED-Spots attached to the rain gutter <sup>2)</sup>
  - infrared heater 2500 W with integrated radio-controlled receiver 868 MHz io
  - combination with vertical blinds
- for configuration please view section “Lighting and heating options”

Further accessories can be found in the chapter “markilux construct”.

01

## Lighting and heating options

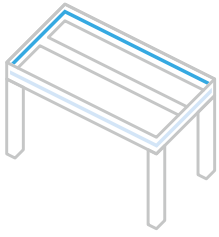
markant 1 field, 1 motor

02

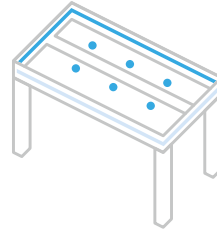
03

04

05



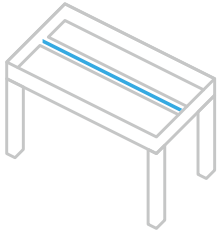
**Option 1:**  
LED-Line in the frame profile



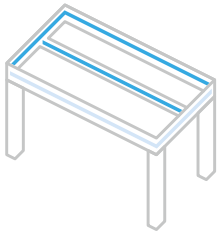
**Option 5:**  
LED-Line in the frame profile  
and LED-Spots fitted to the rain  
gutter

06

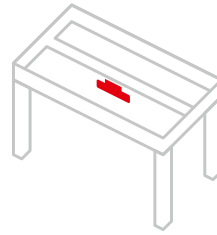
07



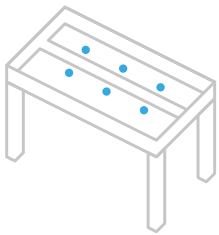
**Option 2:**  
LED-Line in the rain gutter



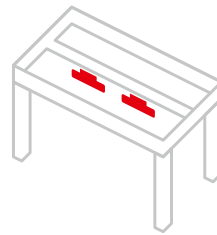
**Option 3:**  
LED-Line in the frame profile  
and LED Line in the rain gutter



**Option 6:**  
1 infrared heater fitted to the  
rain gutter  
  
can be combined with option 1



**Option 4:**  
LED-Spots fitted to the rain  
gutter



**Option 7 <sup>1)</sup>:**  
2 infrared heaters fitted to the  
rain gutter  
  
can be combined with option 1

### Control of the lighting / heating options

LED-line in the frame – can only be switched on/off and dimmed all around

LED-Line in / LED-Spots fitted to the rain gutter – can only be switched on/off and dimmed together (1 field and 2 fields)

Infrared heaters – can be switched on/off and dimmed individually. **N.B!** Heaters cannot be added at a later stage.

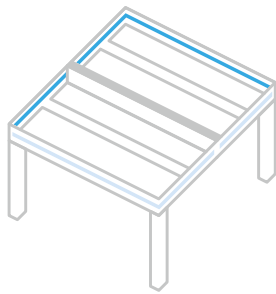
- 1)** If the awning extension is less than 400 cm, we recommend using only 1 heater for a 1-field and 2 heaters for a 2-field unit.



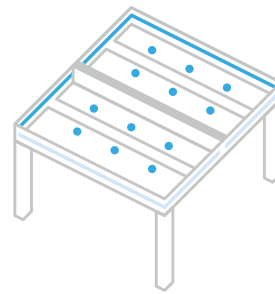
# Lighting and heating options

markant 2 fields, 2 motors

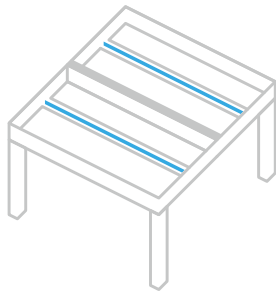
01  
02  
03  
04  
05  
**06**  
07



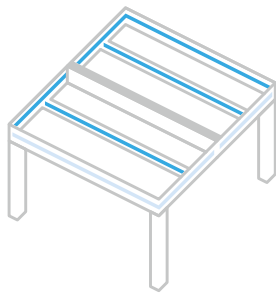
**Option 1:**  
LED-Line in the frame profile



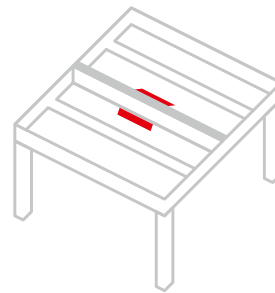
**Option 5:**  
LED-Line in the frame profile  
and LED Spots fitted to the rain  
gutter



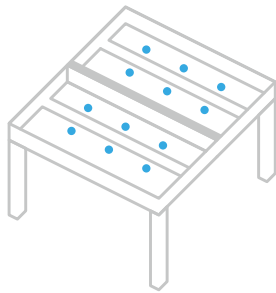
**Option 2:**  
LED-Line in the rain gutter



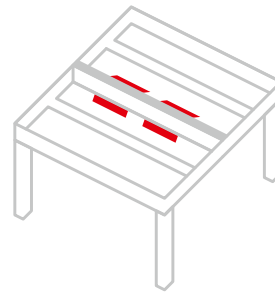
**Option 3:**  
LED-Line in the frame profile  
and LED-Line in the rain gutter



**Option 6 <sup>1)</sup>:**  
2 infrared heaters fitted to the  
coupling profile  
  
can be combined with  
options 1, 2, 3, 4 and 5



**Option 4:**  
LED-Spots fitted to the rain  
gutter



**Option 7 <sup>1)</sup>:**  
4 infrared heaters fitted to the  
coupling profile  
  
can be combined with  
options 1, 2, 3, 4 and 5

### Control of the lighting / heating options

LED-Line in the frame – can only be switched on/off and dimmed all around

LED-Line in / LED-Spots fitted to the rain gutter – can only be switched on/off and dimmed together (1 field and 2 fields)

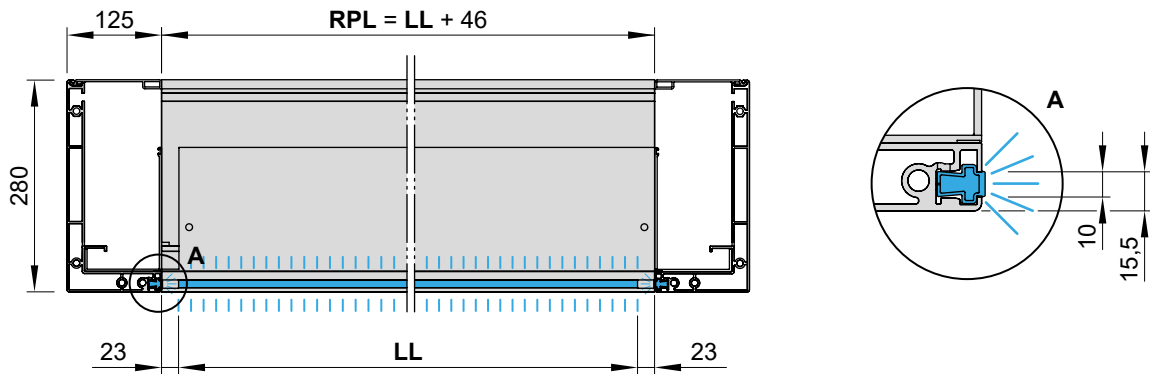
Infrared heaters – can be switched on/off and dimmed individually. **N.B!** Heaters cannot be added at a later stage.

**1)** If the awning extension is less than 400 cm, we recommend using only 1 heater for a 1-field and 2 heaters for a 2-field unit.

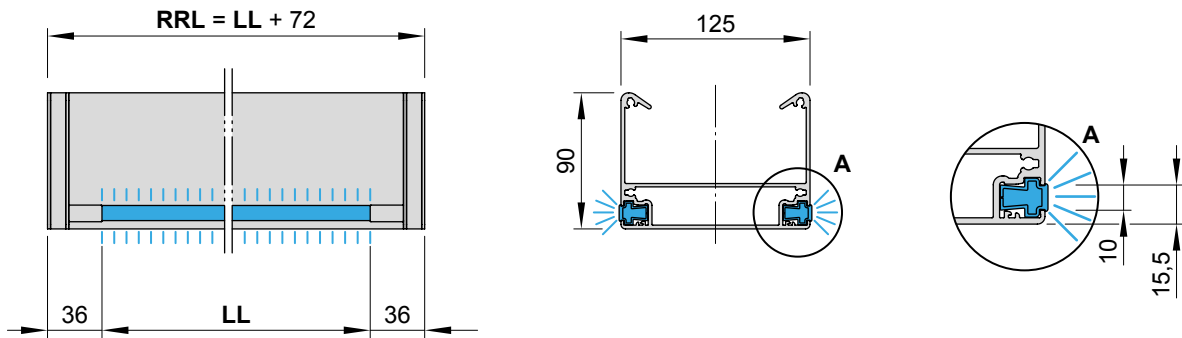
01  
02  
03  
04  
05  
06  
07

## Lighting options LED-Line

LED-Line in the frame, all around

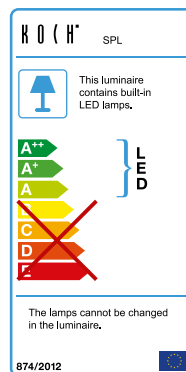


Two-way LED-Line in the rain gutter



### Technical specification

operating voltage	230 V, 50 Hz
power output per metre	9 W / metre
number of LEDs per metre	90 units / metre
number of transformers	1 unit
light temperature	2700 K
IP protection class	IP 44
service life	approx. 15.000 h



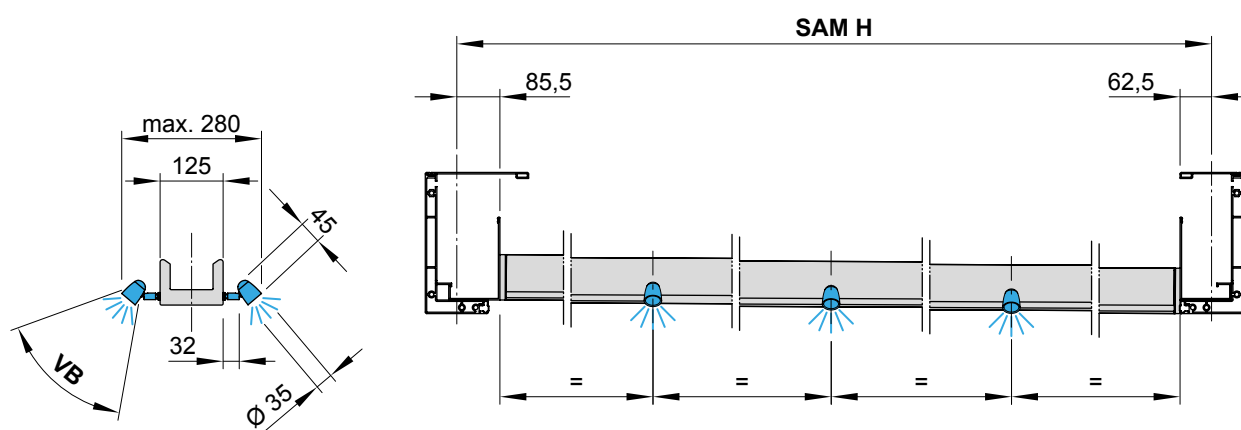
- LL = length of LED-line
- RPL = length of frame profile
- RRL = length of rain gutter

dimensions in mm



# Lighting options LED-spots

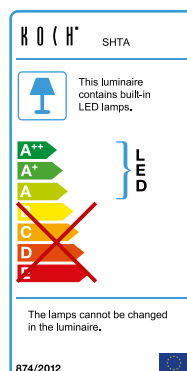
LED-Spots fitted to the rain gutter



01  
02  
03  
04  
05  
**06**  
07

### Technical specification

operating voltage	230 V, 50 Hz
power output of an LED-Spot	5 W
light source	LED (12 V)
number of transformers	1 unit
light temperature	2700 K
IP protection class	IP 44
service life	approx. 20.000 h



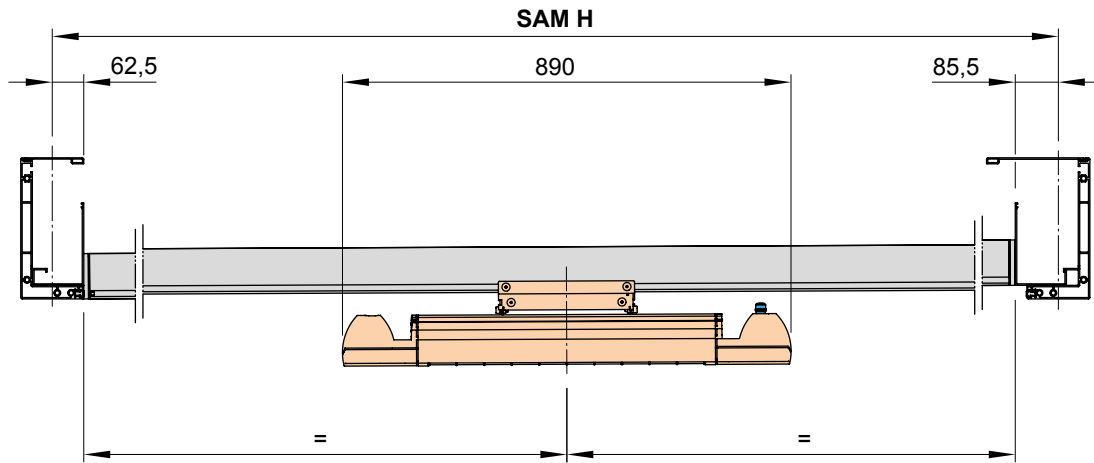
**SAM H** = *order dimension* = centre to centre post separation in the direction of extension

**VB** = adjustment range

dimensions in mm

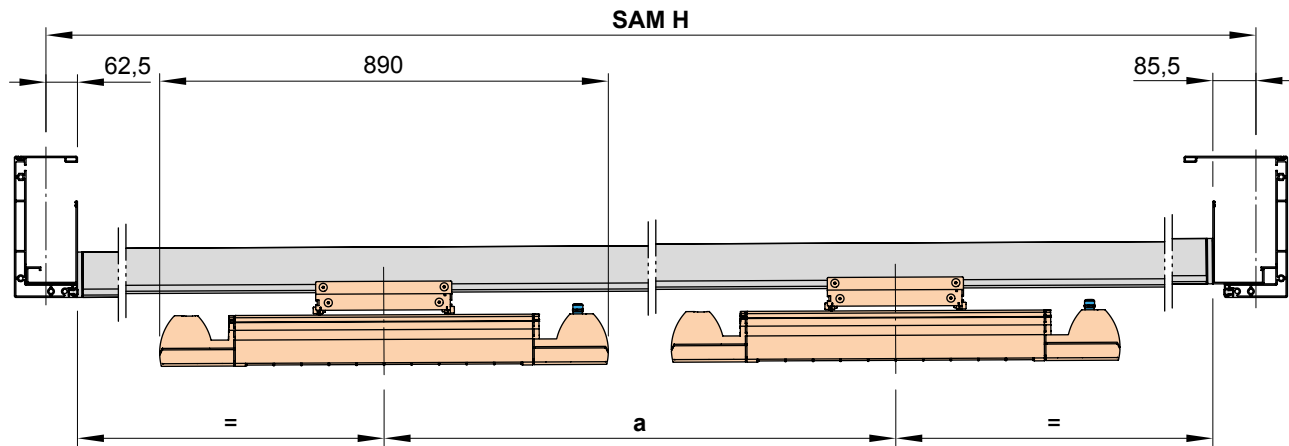
01 Heating options, 1-field unit

02 1 infrared heater fitted to the rain gutter



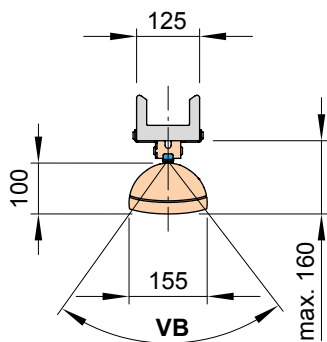
03 So that the asymmetrical reflector in the markilux heater works correctly, it must be fitted so that the cable exit point and markilux logo are on the **right**.

04 2 infrared heaters fitted to the rain gutter



05 So that the asymmetrical reflector in the markilux heater works correctly, it must be fitted so that the cable exit point and markilux logo are on the **right**.

06 Viewed from the front



Recommended separation distance for infrared heaters

SAM H	a
up to 4000	1 infrared heater
4000 – 4500	1900 mm
4501 – 5000	2100 mm
5001 – 5500	2300 mm
5501 – 6000	2500 mm

a = recommended separation distance for infrared heaters

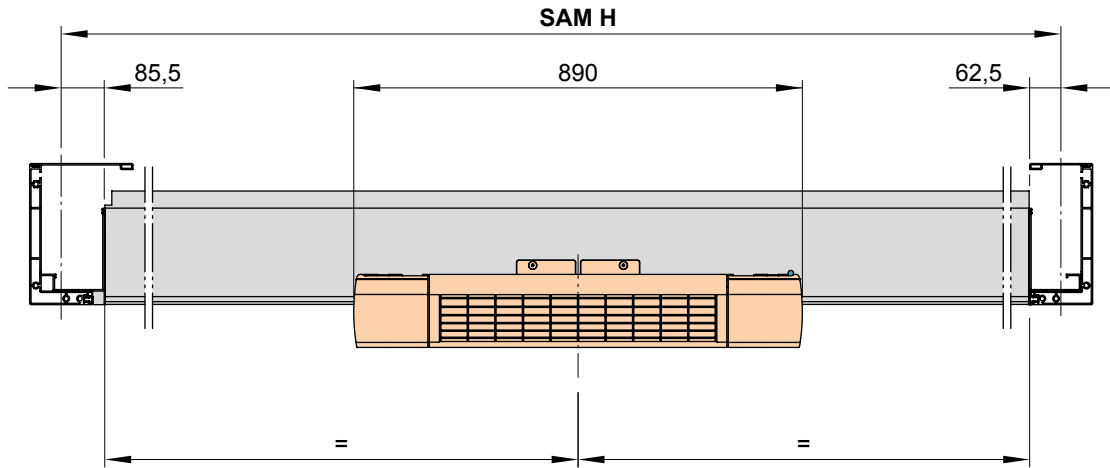
SAM H = order dimension = centre to centre post separation in the direction of extension

VB = adjustment range

dimensions in mm

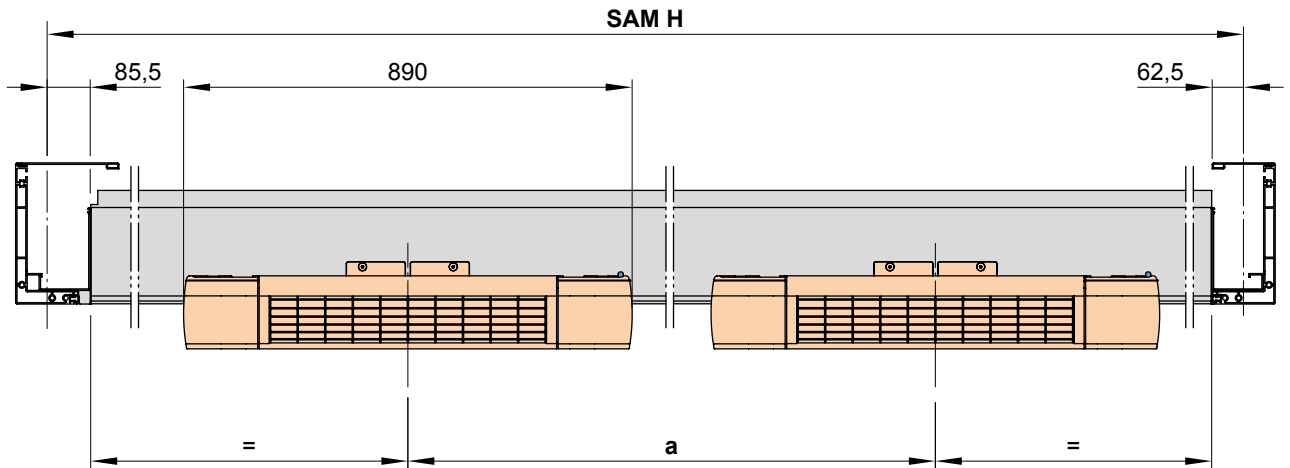
## Heating options, 2-field system

2 infrared heaters fitted to the coupling profile



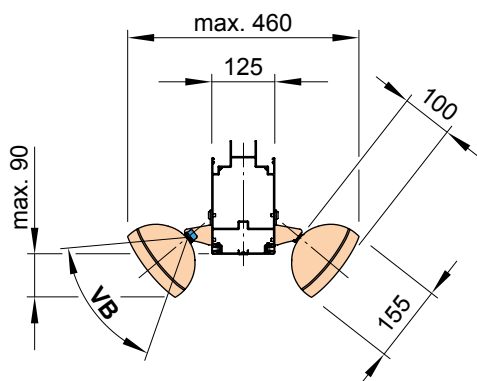
So that the asymmetrical reflector in the markilux heater works correctly, it must be fitted so that the cable exit point and markilux logo are on the **right**.

4 infrared heaters fitted to the coupling profile



So that the asymmetrical reflector in the markilux heater works correctly, it must be fitted so that the cable exit point and markilux logo are on the **right**.

Viewed from the front



### Recommended separation distance for infrared heaters

SAM H	a
up to 4000	2 infrared heaters
4000 – 4500	1900 mm
4501 – 5000	2100 mm
5001 – 5500	2300 mm
5501 – 6000	2500 mm

**a** = recommended separation distance for infrared heaters

**SAM H** = order dimension = centre to centre post separation in the direction of extension

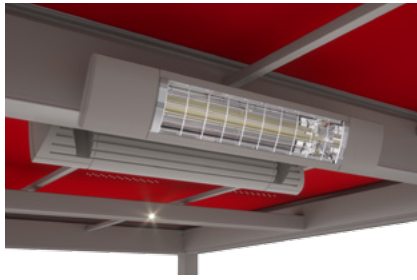
**VB** = adjustment range

dimensions in mm

01  
02  
03  
04  
05  
06  
07

# markilux infrared heater 2500 w

dimnable in 3 stages with integrated radio-controlled receiver 868 MHz io



### Special features

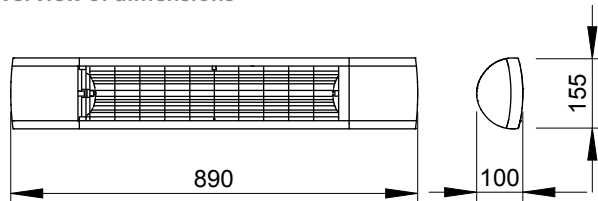
- soft start function with reduced starting current
- cooling fins on the back prevent excessive heating of the mounting surface
- asymmetrical reflector giving optimum heat distribution
- infrared halogen lamp with Ultra Low Glare heating tube technology ensuring minimum glare and a pleasant light temperature
- minimum installation height 1.8 m

markilux heaters offer an optimum of warmth with pleasant infrared heat – for a comfortable outdoor living experience. The low glare technology converts the power input into a maximum of heat output. Infrared heaters are perfect leisure time companions for garden, terrace, balcony and under awnings. They are efficient, energy-saving and create a warm atmosphere at the touch of a button.

### Technical specification

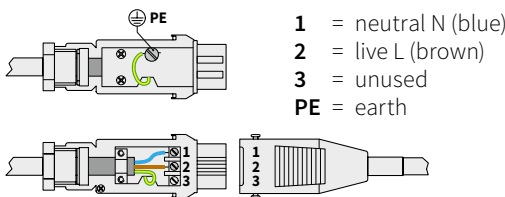
power supply	230 V, 50 Hz, 16 A, slow-burn fuse
power supply wire cross section	H05SS-F3G 3 × 1,5 mm <sup>2</sup>
power output (per heater)	2500 Watts
length × depth × height	890 × 100 × 155 mm

### Overview of dimensions

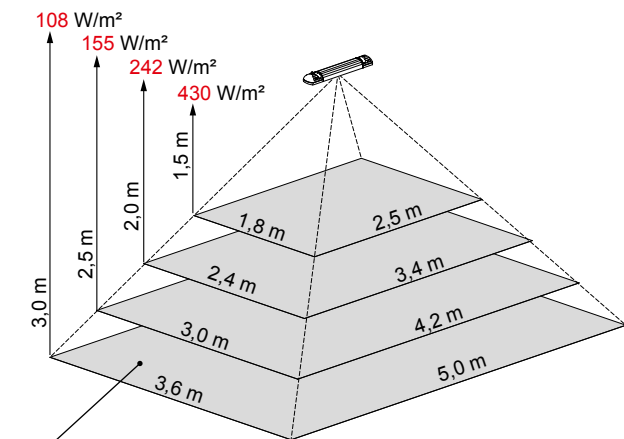


dimensions in mm

### Power supply connecting plug (Hirschmann)



### The radiation intensity of the 2500 W infrared heater

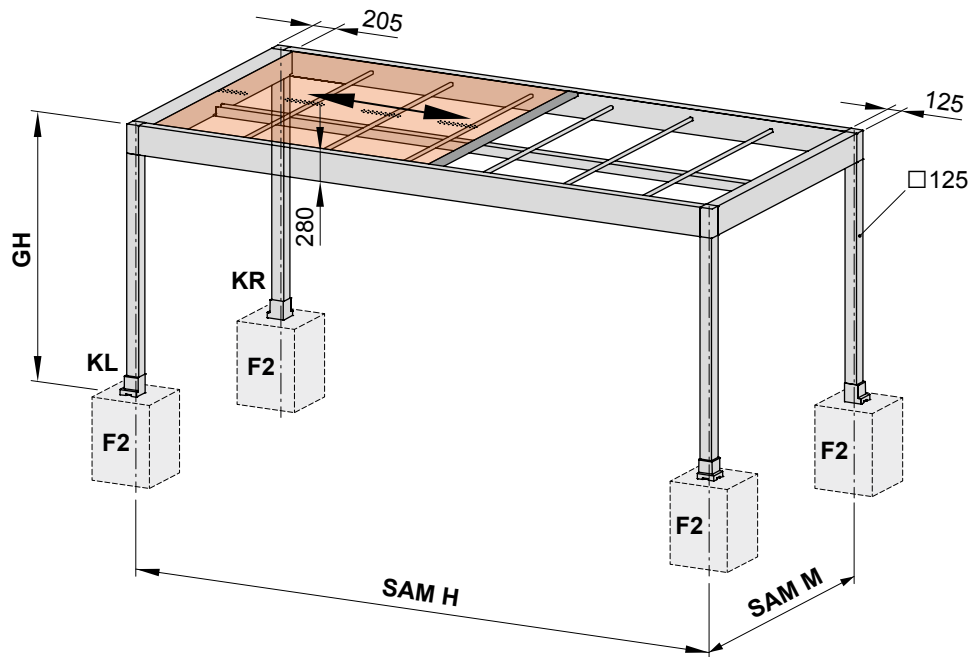


Radiation core zone (50 % of the central radiation)

# Overview of dimensions

1 field, 1 motor

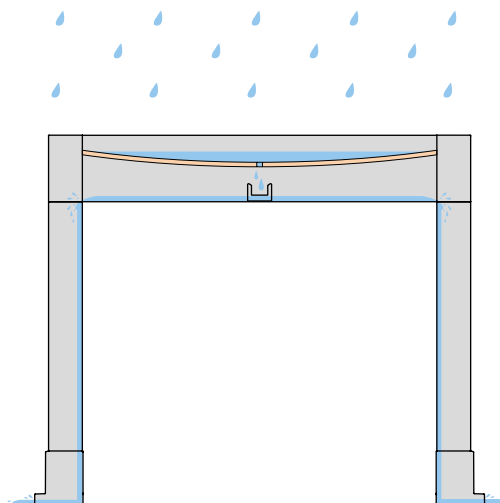
01  
02  
03  
04  
05  
**06**  
07



Please note! To ensure the awning functions properly, the frame of the awning must be set up perfectly level in both width and extension.

Please note: We recommend two electric lifts for installation. E.g. “Portable awning lift Upter CM 340” bearing load 120 kg / extendable height 3.3 m from KeM. Tech [www.kemtech-ksf.com](http://www.kemtech-ksf.com)

## Schematic diagram of the water drainage function



**F2** = please view section “Concrete foundations”

**GH** = *order dimension* = overall height (standard = 260 cm; min. 64 cm – max. 350 cm)

**KL, KR** = order information = cable exit point for all electric components at the rear post left / right

**SAM H** = *order dimension* = centre to centre post separation in the direction of extension

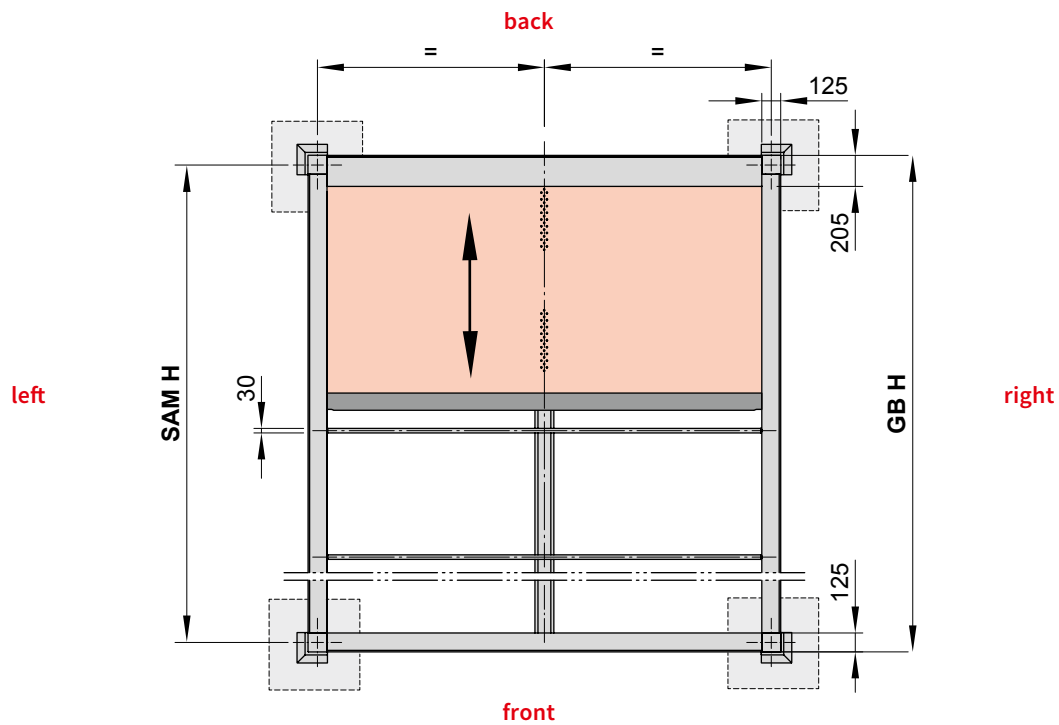
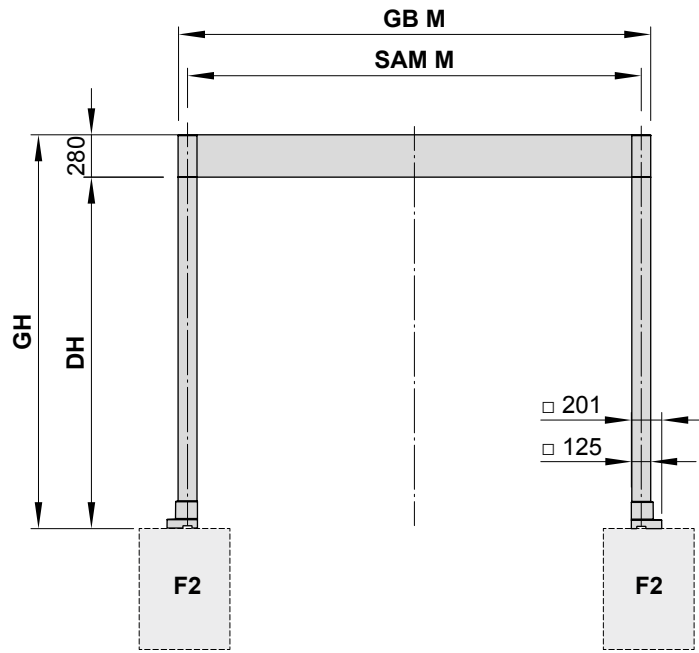
**SAM M** = *order dimension* = centre to centre post separation in the direction of the width

dimensions in mm

01  
02  
03  
04  
05  
**06**  
07

# Overview of dimensions

1 field, 1 motor

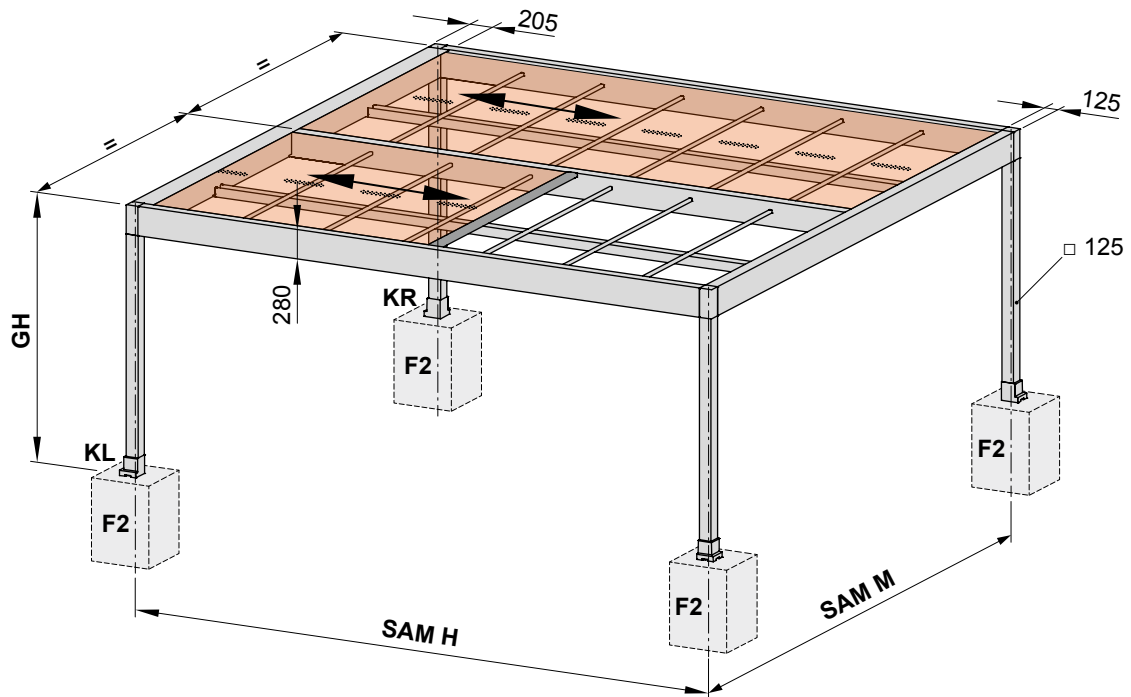


- DH** = headroom
- F2** = please view section "Concrete foundations"
- GB H** = overall size in the direction of extension
- GB M** = overall size in the direction of width
- GH** = *order dimension* = overall height (standard = 260 cm; min. 64 cm – max. 350 cm)
- SAM H** = *order dimension* = centre to centre post separation in the direction of extension
- SAM M** = *order dimension* = centre to centre post separation in the direction of the width

dimensions in mm

# Overview of dimensions

2 fields, 2 motors

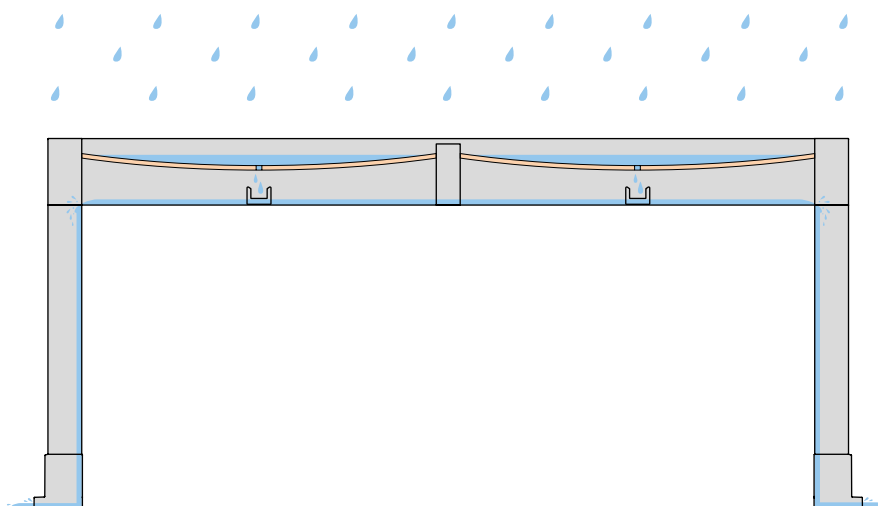


01  
02  
03  
04  
05  
**06**  
07

Please note! To ensure the awning functions properly, the frame of the awning must be perfectly level in both width and extension.

Please note: We recommend two electric lifts for installation. E.g. “Portable awning lift Upter CM 340” bearing load 120 kg / extendable height 3.3 m from KeM. Tech [www.kemtech-ksf.com](http://www.kemtech-ksf.com)

Schematic diagram of the water drainage function



**F2** = please view section “Concrete foundations”

**GH** = *order dimension* = overall height (standard = 260 cm; min. 64 cm – max. 350 cm)

**KL, KR** = *order information* = cable exit point for all electric components at the rear post left / right, cable exit point at the front on request

**SAM H** = *order dimension* = centre to centre post separation in the direction of extension

**SAM M** = *order dimension* = centre to centre post separation in the direction of the width

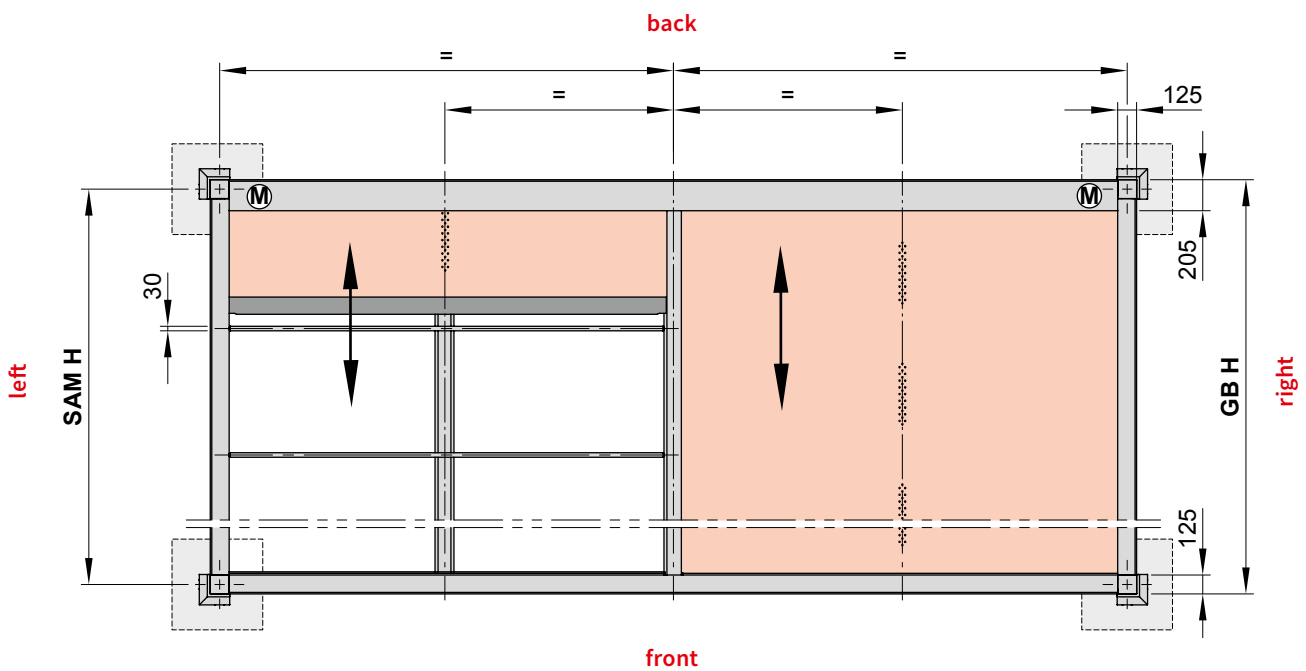
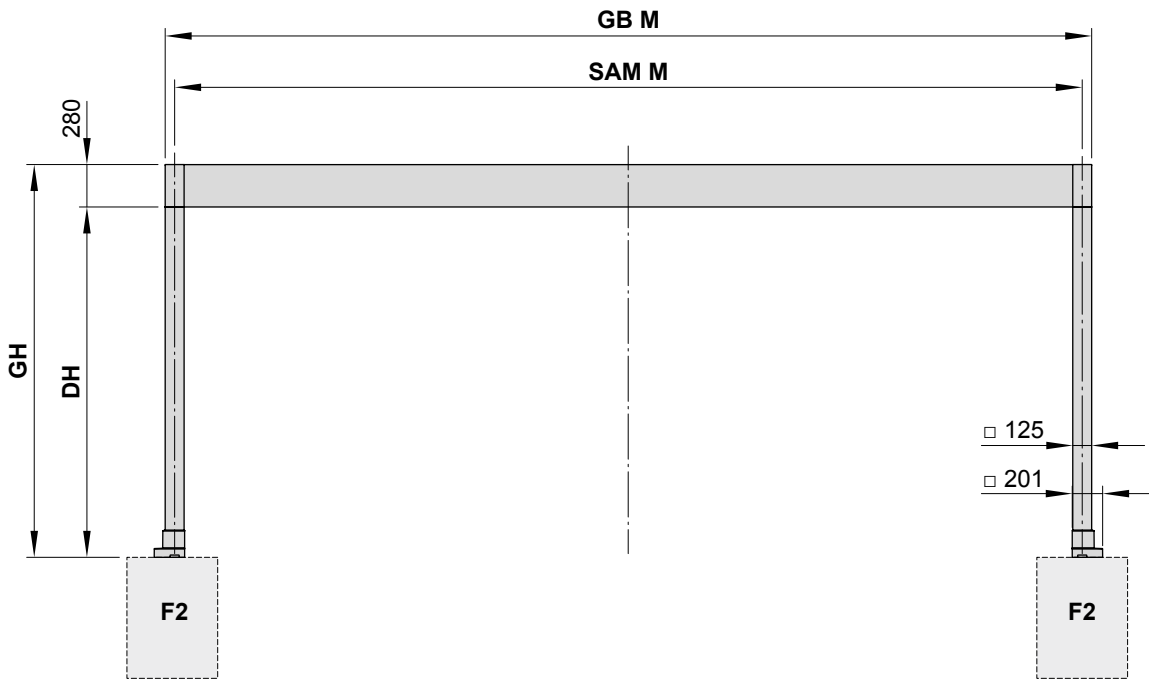
dimensions in mm



01  
02  
03  
04  
05  
06  
07

# Overview of dimensions

2 fields, 2 motors



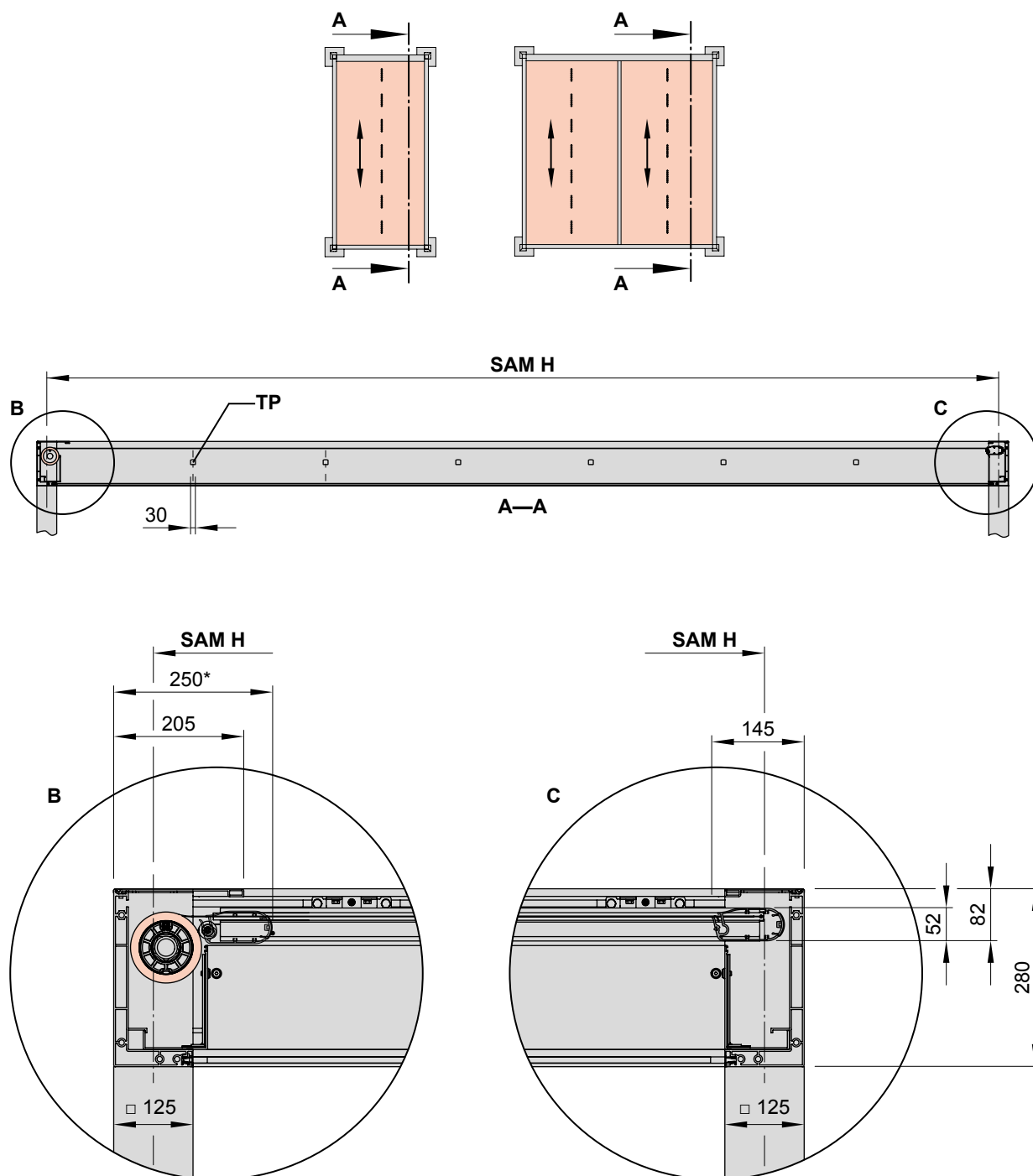
- DH = headroom
- F2 = please view section "Concrete foundations"
- GB H = overall size in the direction of extension
- GB M = overall size in the direction of width
- GH = *order dimension* = overall height (standard = 260 cm; min. 64 cm – max. 350 cm)
- Ⓜ = motor
- SAM H = *order dimension* = centre to centre post separation in the direction of extension
- SAM M = *order dimension* = centre to centre post separation in the direction of the width

dimensions in mm

# Overview of dimensions

1 field and 2-field unit, sectional view in direction of awning system extension

01  
02  
03  
04  
05  
**06**  
07



### Number of cover support profiles

SAM H	quantity TP
2000 – 3450	3
3451 – 4300	4
4301 – 5150	5
5151 – 6000	6

\* = measure in retracted state

SAM H = *order dimension* = centre to centre post separation in the direction of extension

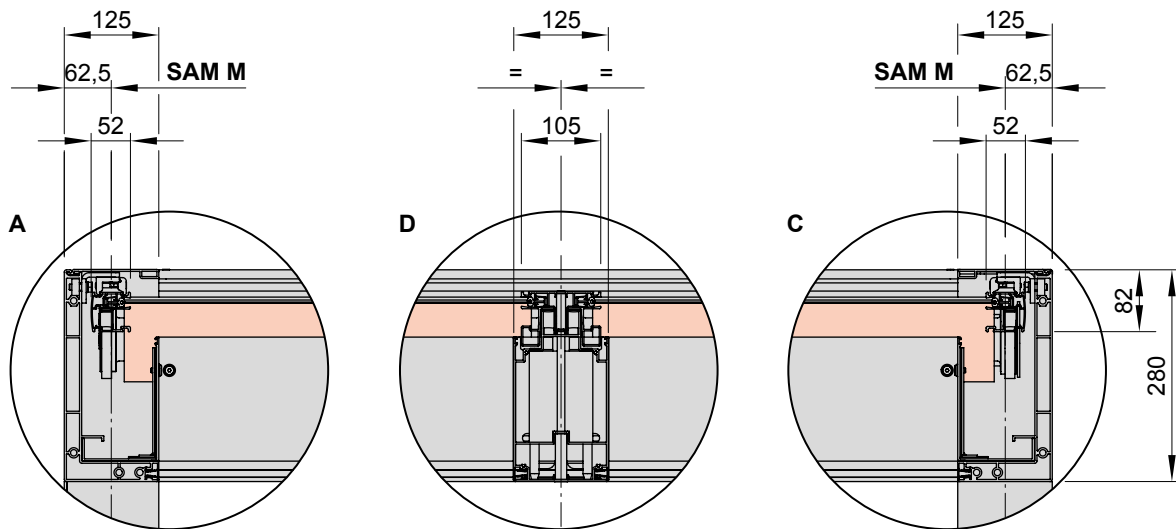
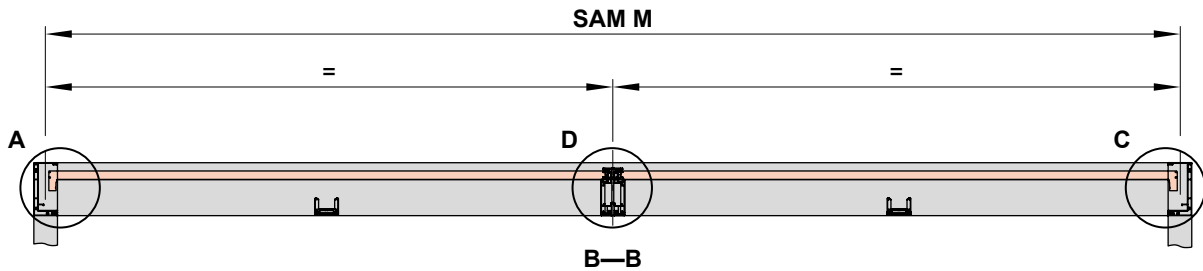
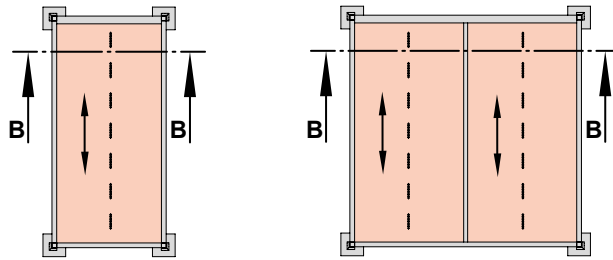
TP = cover support profile

dimensions in mm

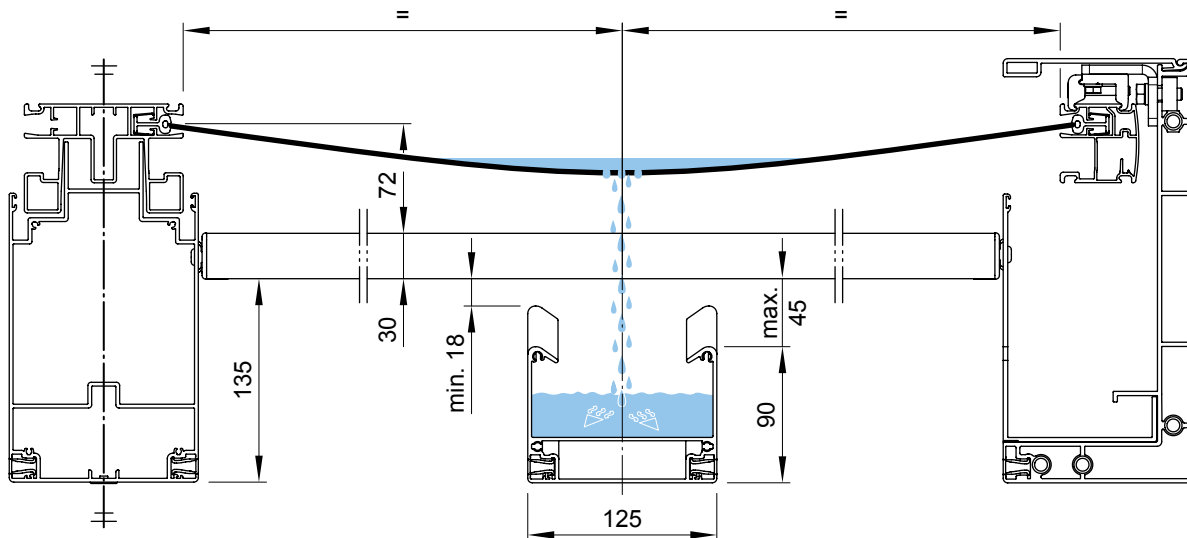
01  
02  
03  
04  
05  
06  
07

# Overview of dimensions

1 field and 2-field unit, sectional view in direction of awning system width



## Overview of rain gutter dimensions



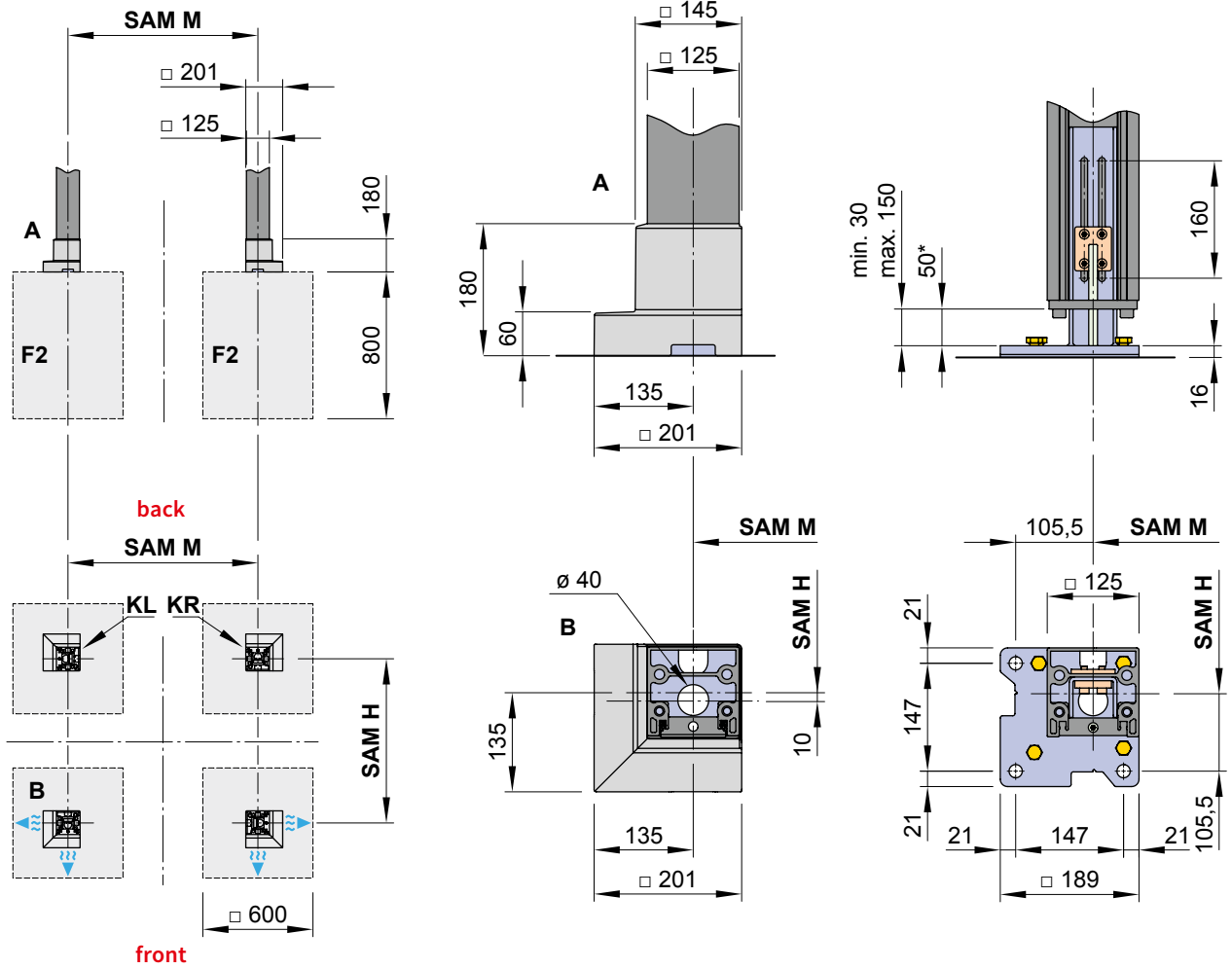
D = detailed view, 2-field unit

SAM M = order dimension = centre to centre post separation in the direction of the width

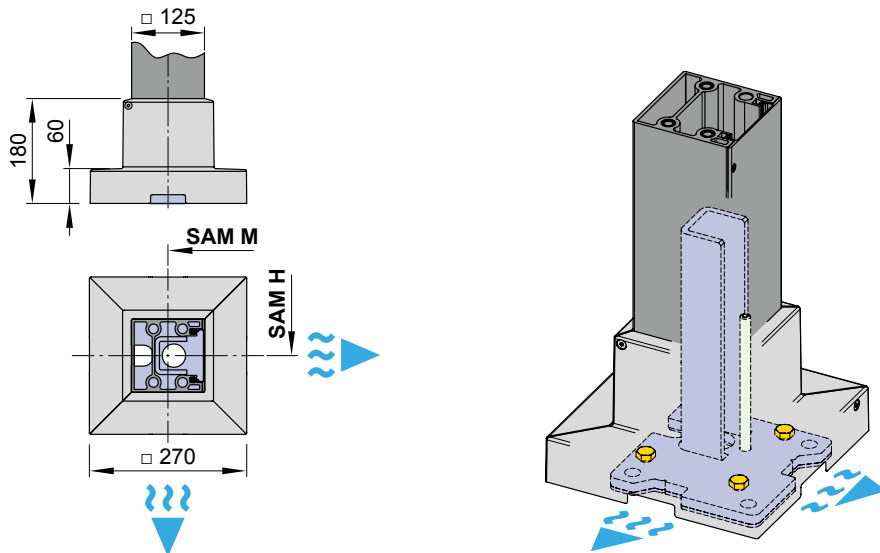
dimensions in mm

# Post footplate cover dimensions

Asymmetrical footplate cover (standard)



Symmetrical footplate cover (optional, cannot be combined with vertical cassette blind markilux 625 tracfix or 776 tracfix)



\* = standard dimension

= water drainage

F2 = please view section "Concrete foundation"

KR; KL = order information = cable exit point for all electric components at the rear post left / right  $\varnothing 40$  mm, cable exit point at the front on request

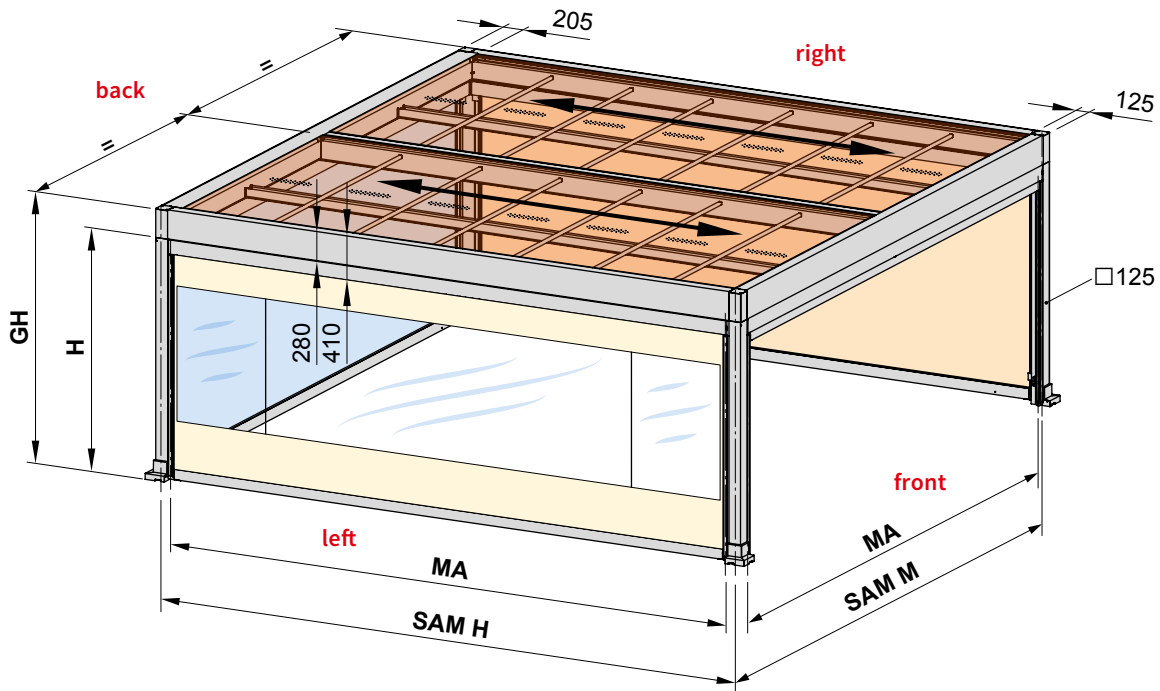
SAM M = order dimension = centre to centre post separation in the direction of the width

SAM H = order dimension = centre to centre post separation in the direction of extension

dimensions in mm

## 01 Overview of dimensions

02 markilux 776 tracfix fitted to the markilux markant



Optionally with panorama window

The markilux markant can also be combined with the vertical blind markilux 625 tracfix.

Vertical blinds cannot be added at a later stage.

### N.B!

If the system needs to be levelled by adjusting the height of the post feet, any vertical blind that has been fitted may not finish parallel to the ground.

**GH** = *order dimension* = overall height (standard = 260 cm; min. 64 cm – max. 350 cm)

**H** = *order dimension* markilux 776 tracfix = blind height

**MA** = *order dimension* markilux 776 tracfix = blind fixture width

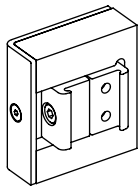
**SAM H** = *order dimension* markilux markant = centre to centre post separation in the direction of extension

**SAM M** = *order dimension* markilux markant = centre to centre post separation in the direction of width

dimensions in mm

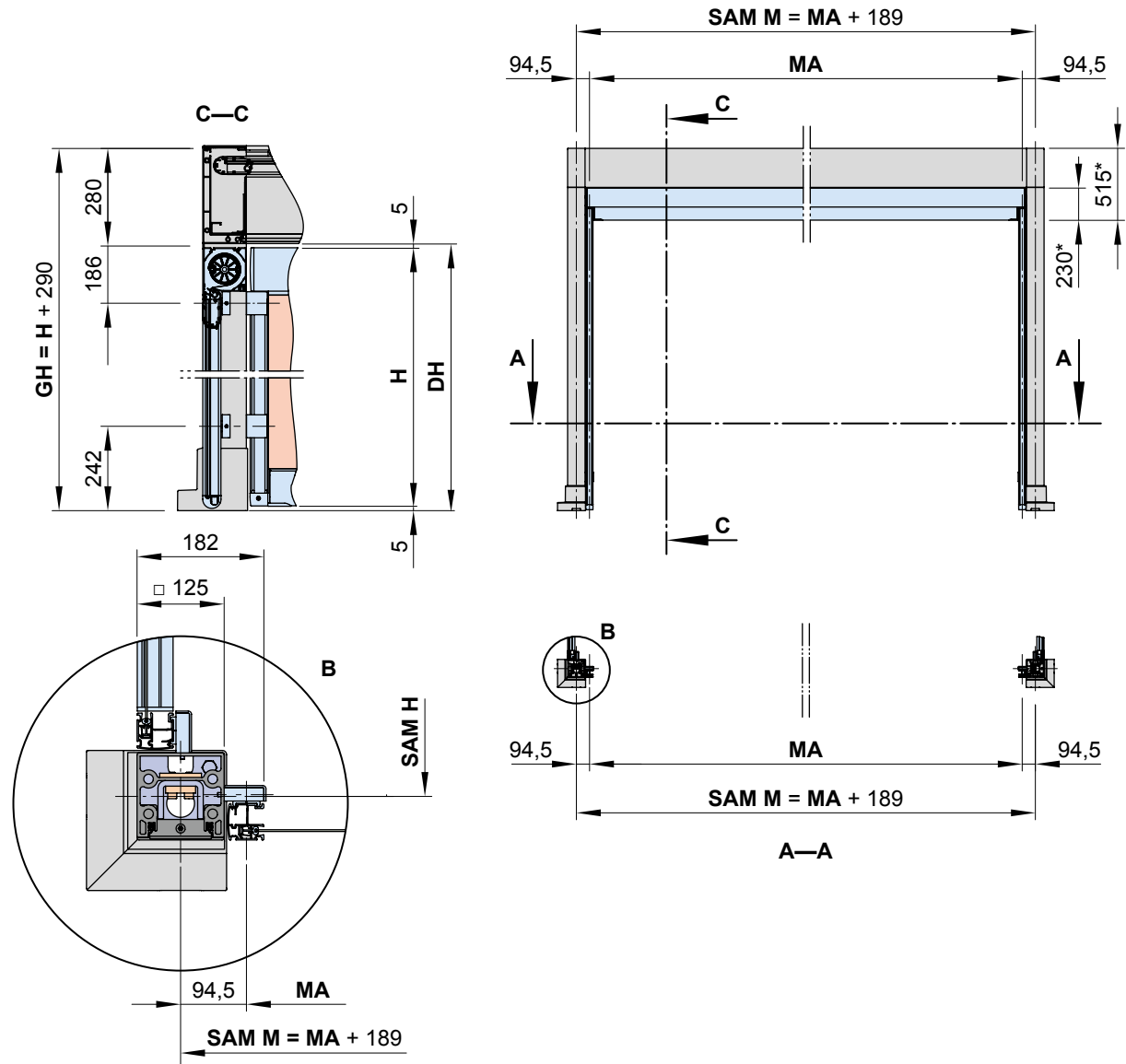
# Overview of dimensions

markilux 776 tracfix fitted to the markilux markant



reveal fixture bracket for markilux 776 tracfix

72432.



**N.B!** vertical blinds cannot be added at a later stage.

\* = height of cassette including front profile, retracted

DH = headroom

GH = *order dimension* = overall height (standard = 260 cm; min. 64 cm – max. 350 cm)

H = *order dimension* markilux 776 tracfix = blind height

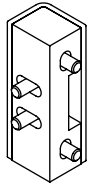
MA = *order dimension* markilux 776 tracfix = blind fixture width

SAM M = *order dimension* markilux markant = centre to centre post separation in the direction of width

dimensions in mm

01 **Overview of dimensions**

02 markilux 625 fitted to the markilux markant

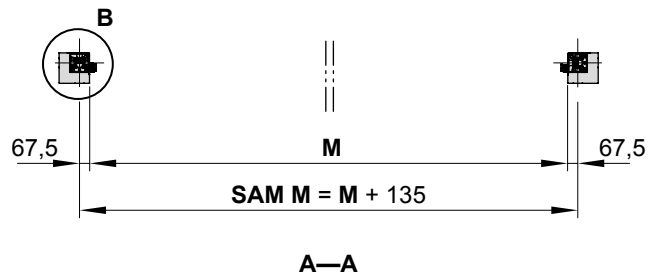
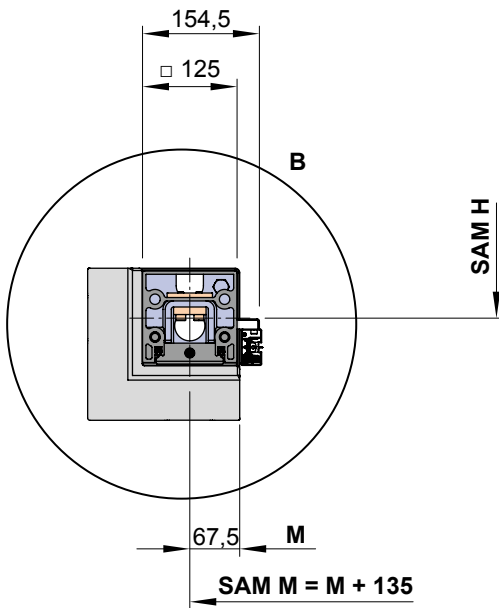
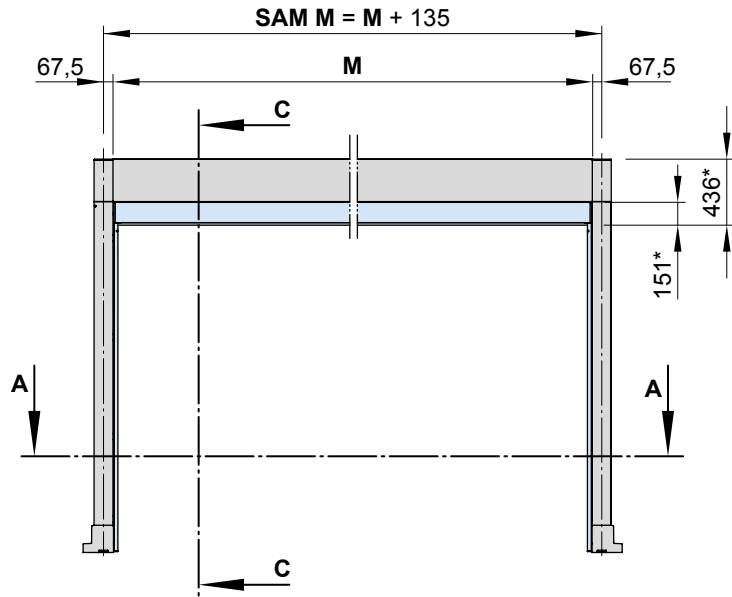
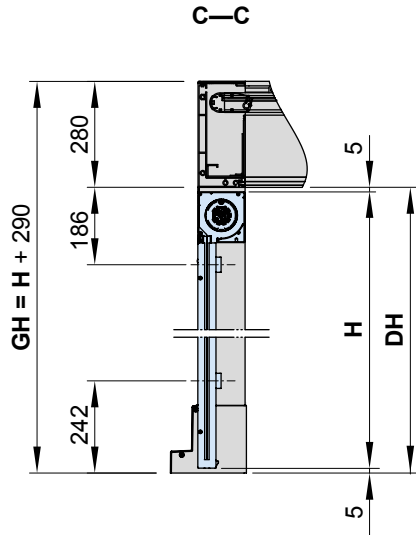


reveal fixture bracket for the markilux 625 tracfix

05 72181.

06

07



**N.B!** vertical blinds cannot be added at a later stage.

\* = height of cassette including front profile, retracted

DH = headroom

GH = *order dimension* = overall height (standard = 260 cm; min. 64 cm – max. 350 cm)

H = *order dimension* markilux 625 tracfix = blind height

M = *order dimension* markilux 625 tracfix = blind width

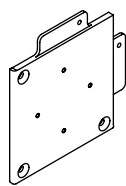
SAM M = *order dimension* markilux markant = centre to centre post separation in the direction of width

dimensions in mm



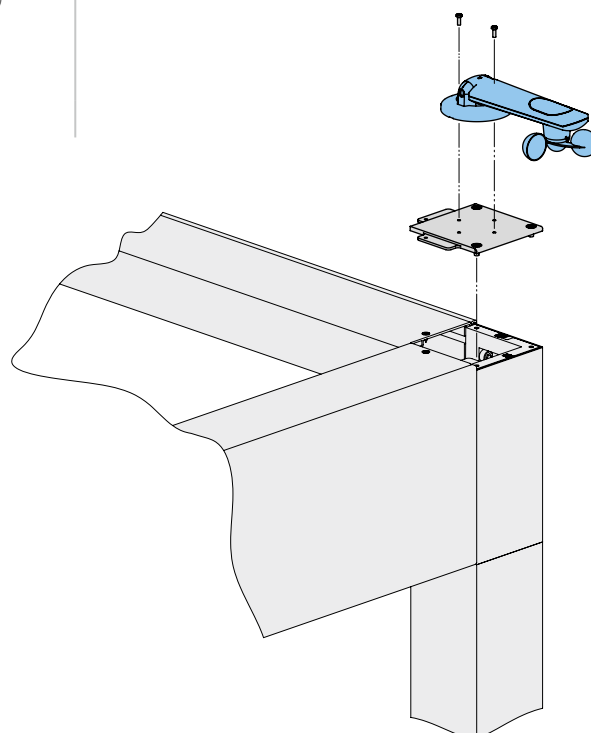
## Overview

### Installation of wind sensor Eolis WireFree (optional)



Cover frame corner for  
radio control wind sensor  
Eolis WireFree io  
(art. no. 8272193)

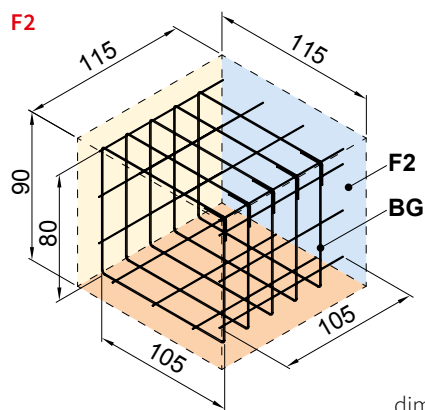
72490.



**Please note:** the wind sensor can be installed on any of the four corners.

## Concrete foundations

**To be supplied on site:** Concrete foundations with a compressive strength complying with C25/30 (previously B25) with a reinforcement cage made of rebar matting Q188.



dimensions in cm

### Fixture to concrete foundation F2

using Fischer marine-grade stainless steel anchor bolts FAZ II 16/50 and washers certified to DIN 9021 (or equivalent)

Alternatively fixture can be realised using the Krinner ground screws. Adapter sets for installation to these are available.

01

02

03

04

05

06

07

01

02

03

04

05

**06**

07