



Awning System

markilux construct

More free space, opening up boundless possibilities.

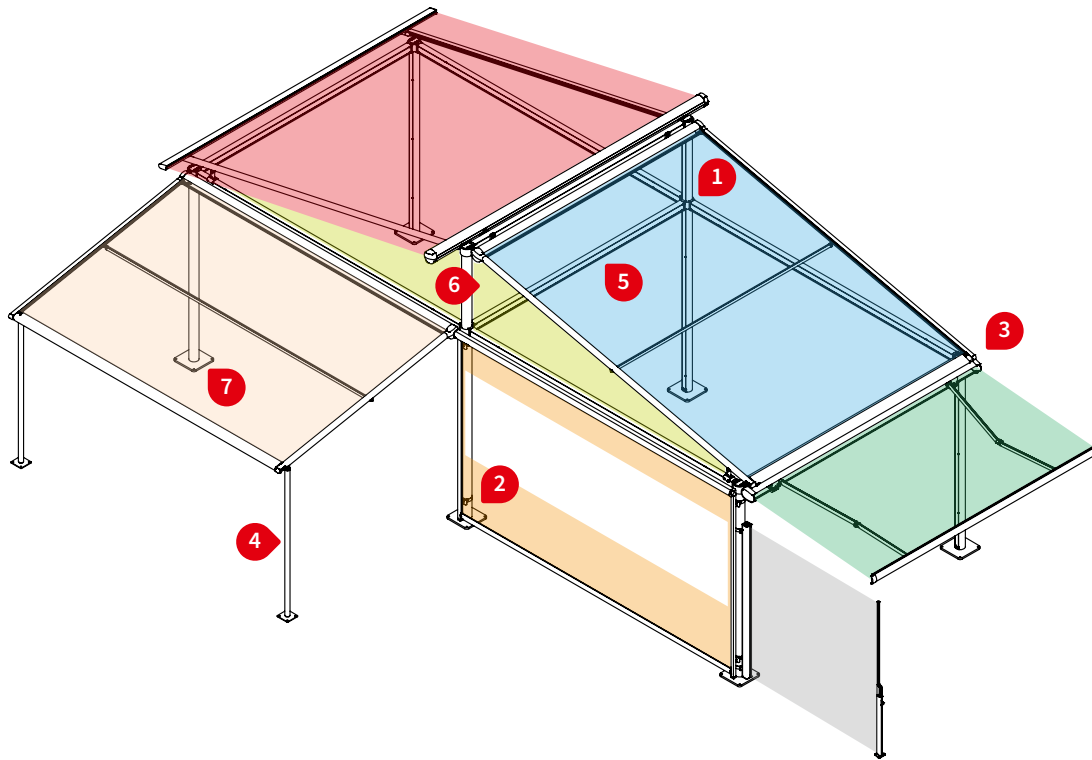
markilux.com

markilux
safe timeless beautiful

Product characteristics

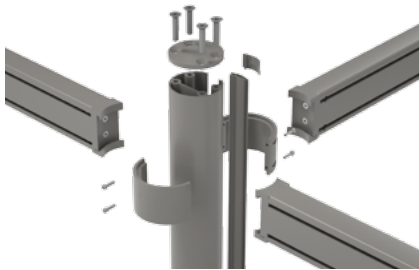
Wind resistance class 3

Beaufort 6 → 38–48 km/h → 10.5–13.4 m/s → 24–30 mph



07

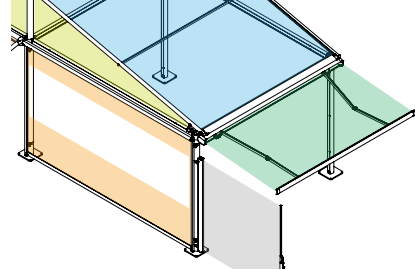
1 modular system: the cross beams can be positioned at will



2 ingenious bracket system for installing various blinds ¹⁾



3 combination example of the markilux 8800 / 876 / 5010



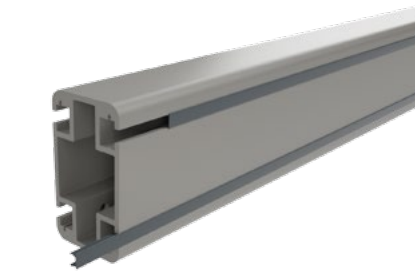
4 cabling is run through maintenance ducts



4 available with either round or square posts



5 continuous bracket slots, with plastic fillet ¹⁾



6 gable end with triangular acrylic glass window ¹⁾ or awning fabric ¹⁾



7 cover profile for where the awning is mounted ¹⁾



7 covers ¹⁾ for the post footplates



1) optional configuration

Product characteristics

Description

- free-standing, modular frame system made of aluminium offering almost unlimited possibilities for sun and weather protection over large areas.

Special features

- a modular and flexible system, which can be combined with almost all markilux shading systems
- support posts optionally with round or square shaped profiles, incl. screw-on footplates
- the construction with well thought-out connecting elements is based on the a modular design principle
- the cross-beam clamp rings can be positioned at any height on the slim posts
- in addition to the square and rectangular design areas, differing post heights can offer 3-dimensional design possibilities as well
- free-standing assembly or fixture to one side wall is possible
- powder coating in seven markilux standard frame colours or in a non-standard colour
- for configuration options, colours and dimensions please consult the chapter of the corresponding awning model in the sales manual

Dimensions

- maximum field width 700 cm
- support post height: standard height 318 mm, maximum height 450 cm
- support posts available in intermediate heights

Awning profiles

- extruded aluminium, in façade quality, powder coated
- support posts round Ø 140 mm or square 125 × 125 mm
- post base plate square 400 × 400 mm, galvanised steel
- rectangular cross beam, height 140 mm × width 80 mm

Optional accessories

- markilux infrared heater
- markilux spotlight LED
- attractive footplate covers, made of die-cast aluminium, powder-coated
- cover profile for gap-free awning installation to the frame system
- a wide range of brackets for the installation of folding arm awnings, vertical and side blinds, conservatory and pergola awnings as well as heating and lighting accessories
- triangular acrylic glass sections or fabric covers to close the gable ends
- universal fixture bracket assemblies for displays, TV etc.
- cover profile (traffic white RAL 9016 or anthracite grey similar to RAL 7016) for the bracket slots in the cross-beam

markilux planning service

in the case of larger construction projects, markilux can offer comprehensive planning support on request. Based on dimension data and photographs of the area to be designed, the following services can be carried out on request:

- a realistic photographic representation of the shading system in colour, optionally also as a 3D visualisation
- suggestions for special solutions
- Preparation of technical drawings as a solution to suggestions – can also be used for building permit submissions
- further consultation services until the order is issued

a realistic photographic collage and a detailed detailed technical presentation increase the quality of on-site consultation and the chances of success!

Planning permission

N.B! Please observe that shade systems may be subject to compulsory planning permission regulations depending on the region!

01 **Frame colours**

markilux frame colours without surcharge

02

traffic white RAL 9016

metallic aluminium RAL 9006

grey brown, similar to RAL 8019

03

04

05

06



07

off-white textured finish, 5233 ¹⁾stone grey metallic, 5215 ¹⁾anthracite metallic, 5204 ¹⁾Havana brown textured finish, 5229 ¹⁾**Non-standard powder-coated finish**

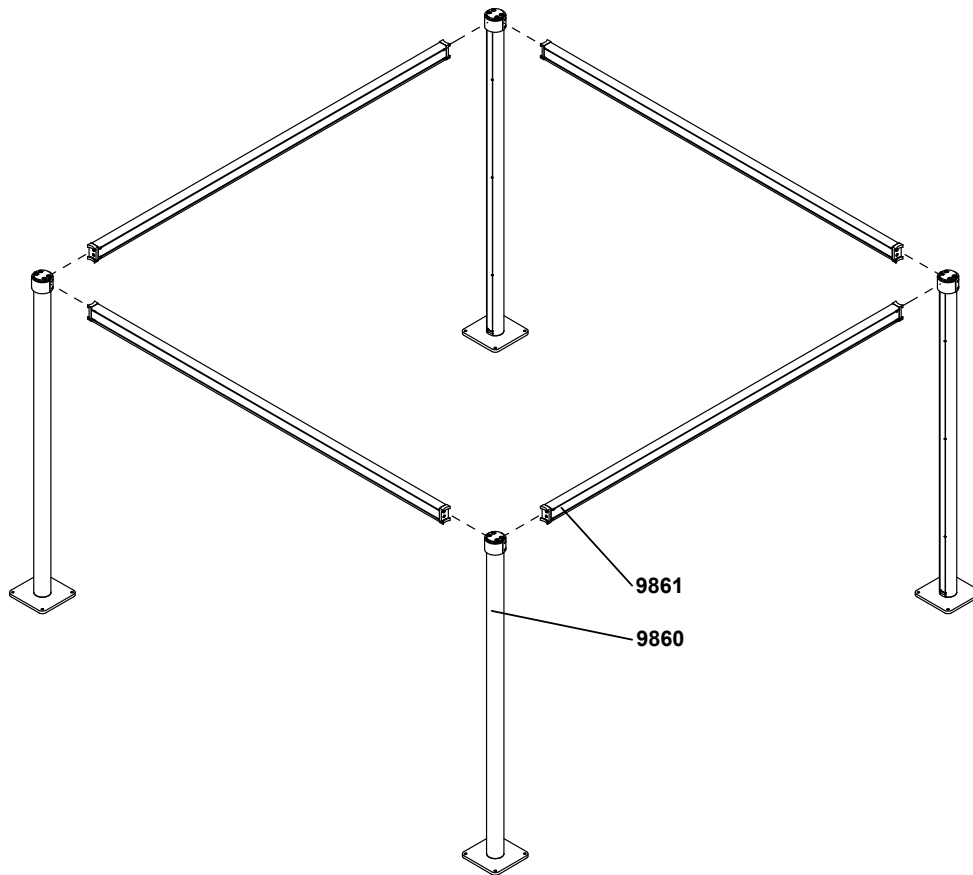
Bespoke frame colours at a surcharge – matt, metallic and pearl finishes as well as other colour ranges (DB, Tiger etc.) on request. All frame colours are available at a surcharge with enhanced corrosion protection.

¹⁾ textured finish

Colours may differ slightly from those depicted in both hue and finish.

Overview

1 field, showing a round post

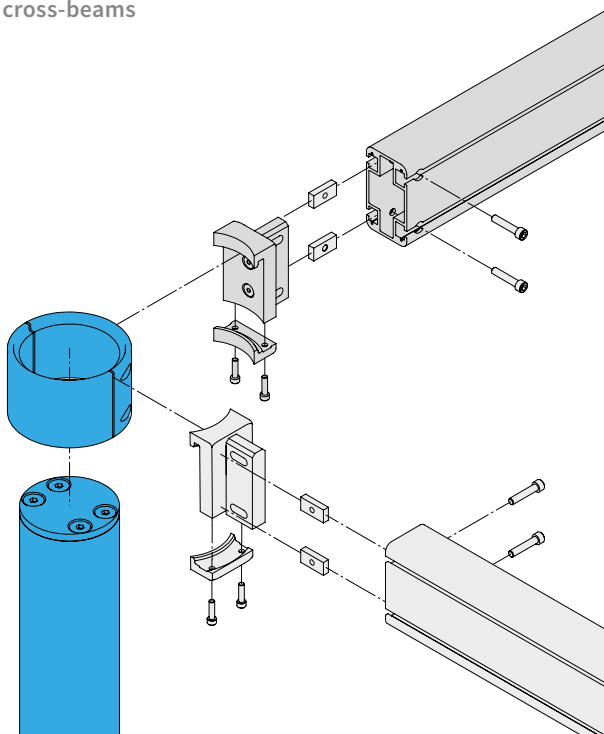


- 01
- 02
- 03
- 04
- 05
- 06

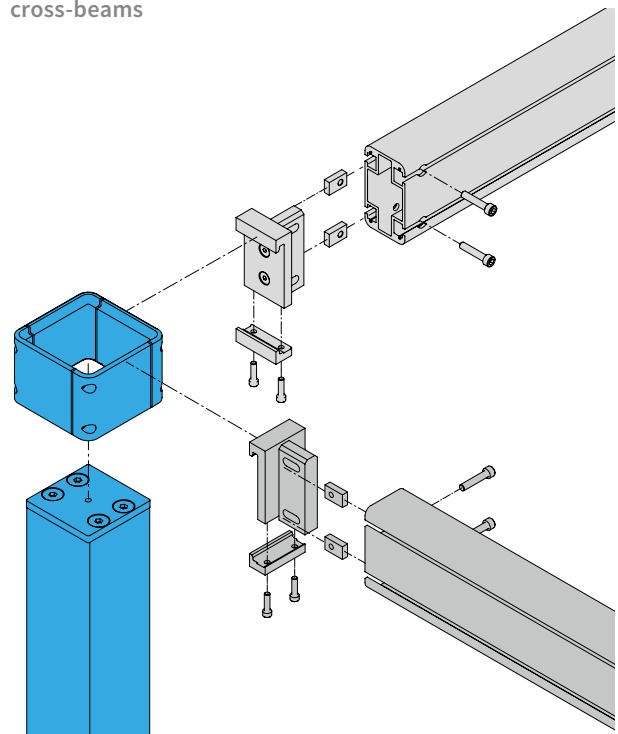
07

Overview

Round post, corner convergence point with two cross-beams



Square post, corner convergence point with two cross-beams



01 **Overview**

02 Round post, corner convergence point with three cross-beams

03

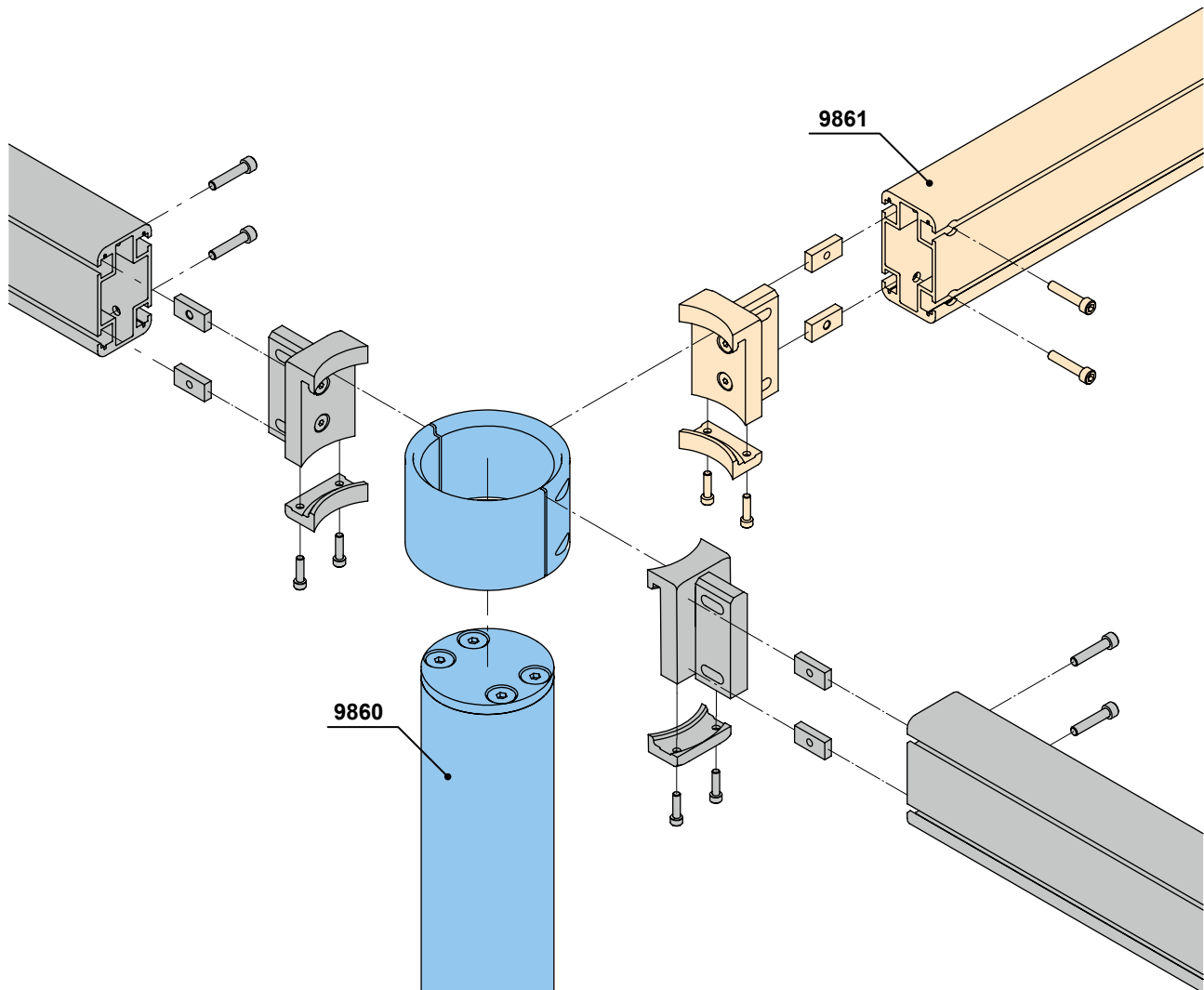
04

05

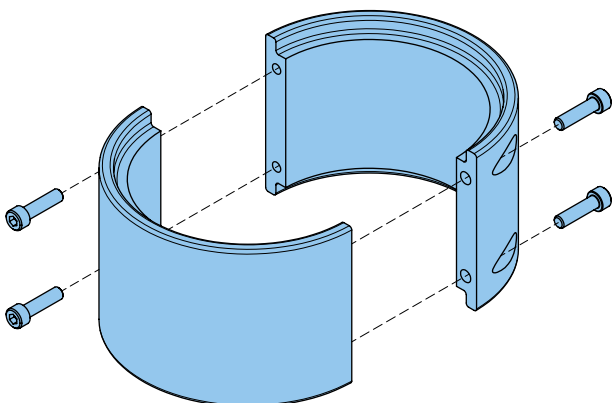
06

07

07



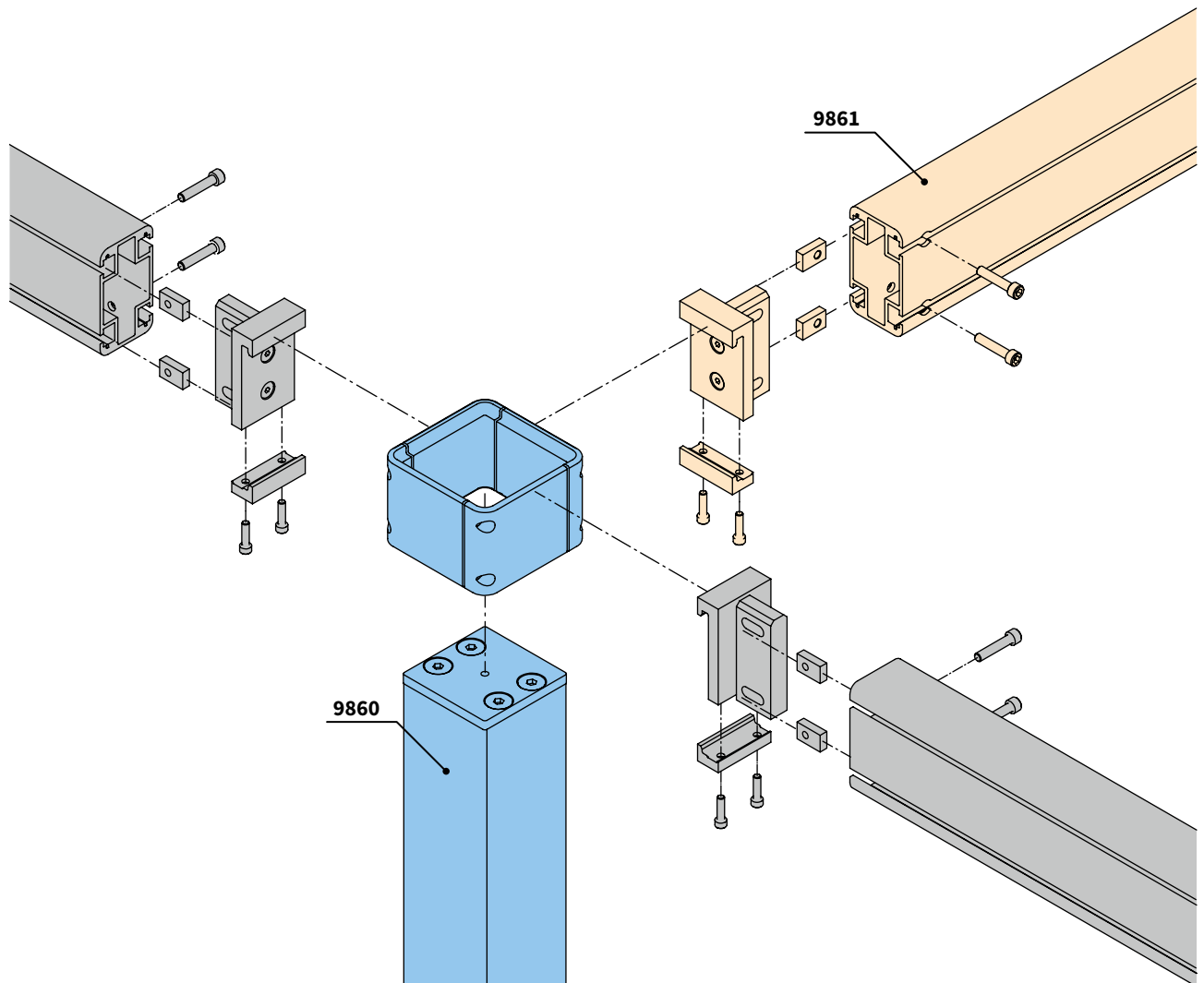
Clamp ring for round post (76820.)



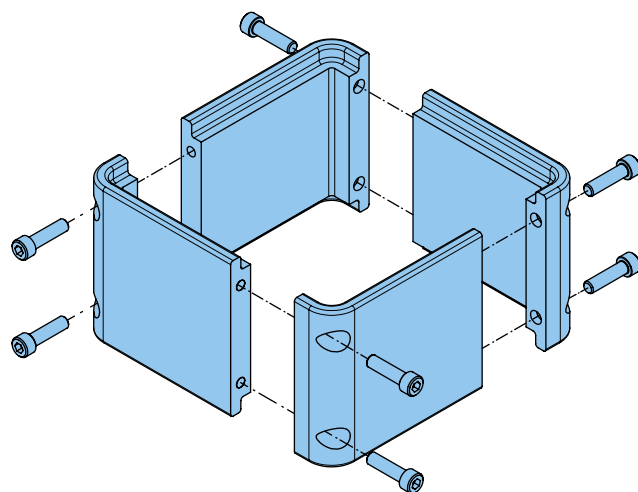
Overview

Square post, corner convergence point with three cross-beams

- 01
- 02
- 03
- 04
- 05
- 06
- 07**



Clamp ring for square post (72301.)



01 Overview

02 Round post with footplate and clamp ring (9860)

03 Square post with footplate and clamp ring (9860)

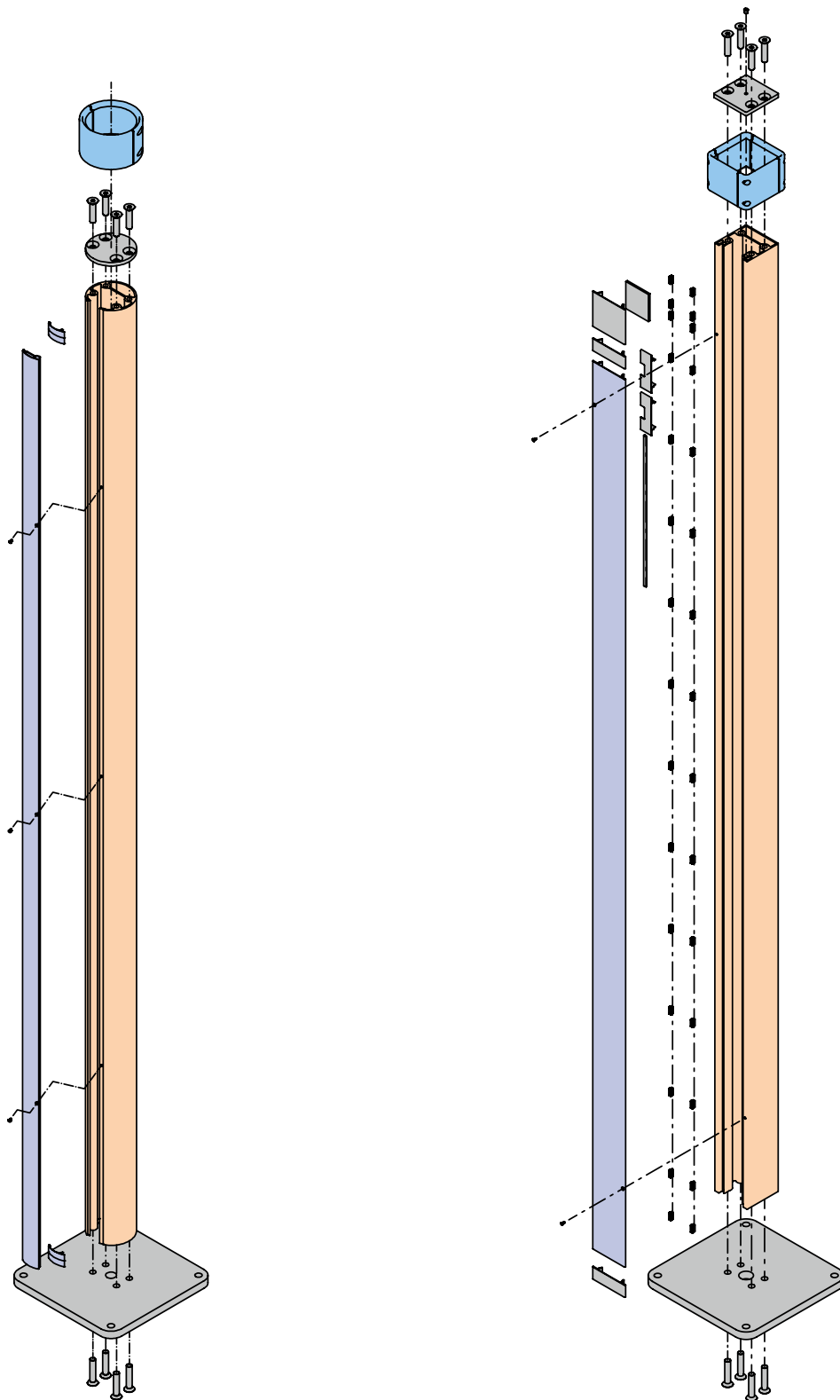
04

05

06

07

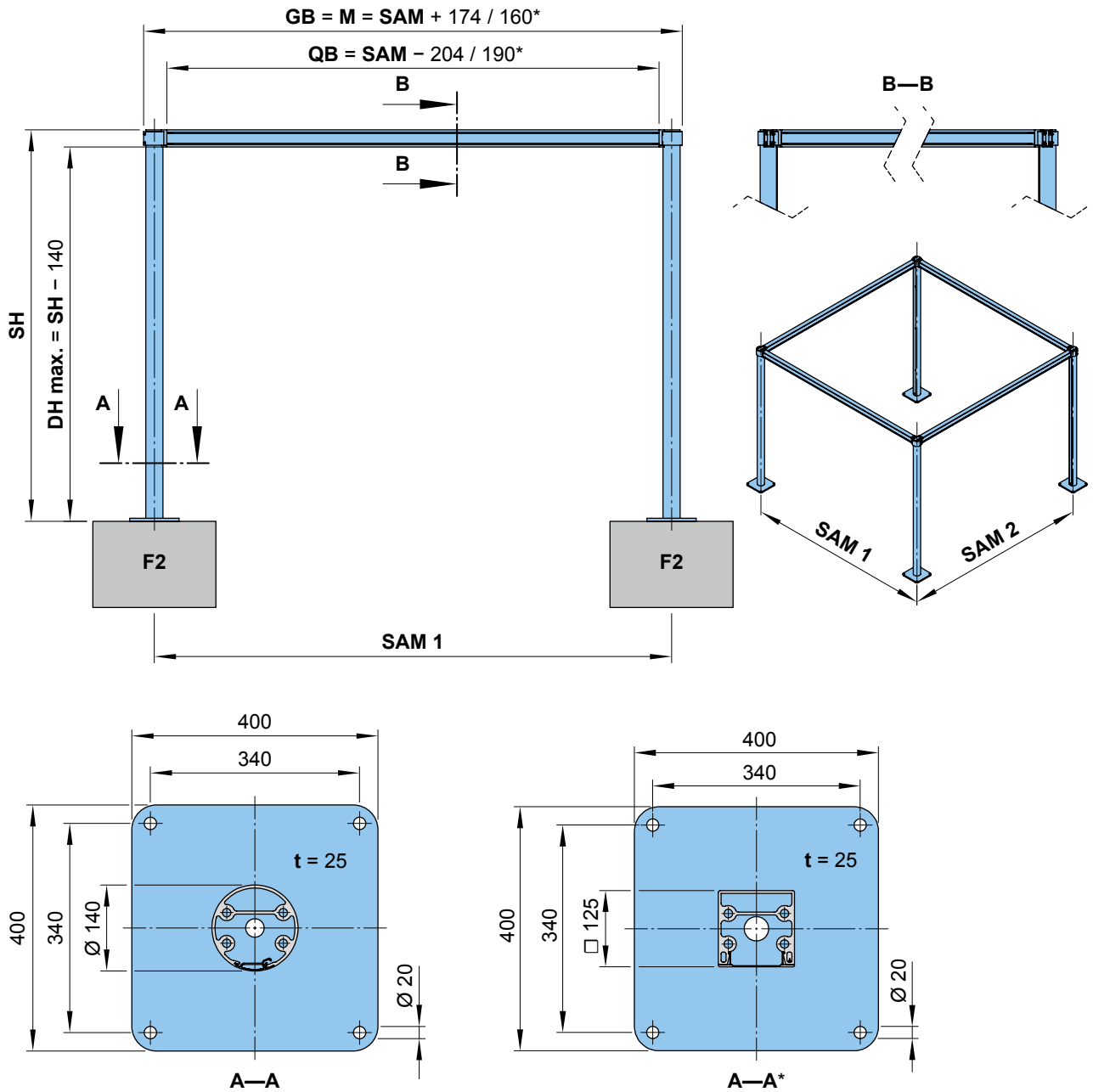
07



Post height: standard 3180 mm, max. 4500 mm

Overview of fixture dimensions

1 field, free-standing



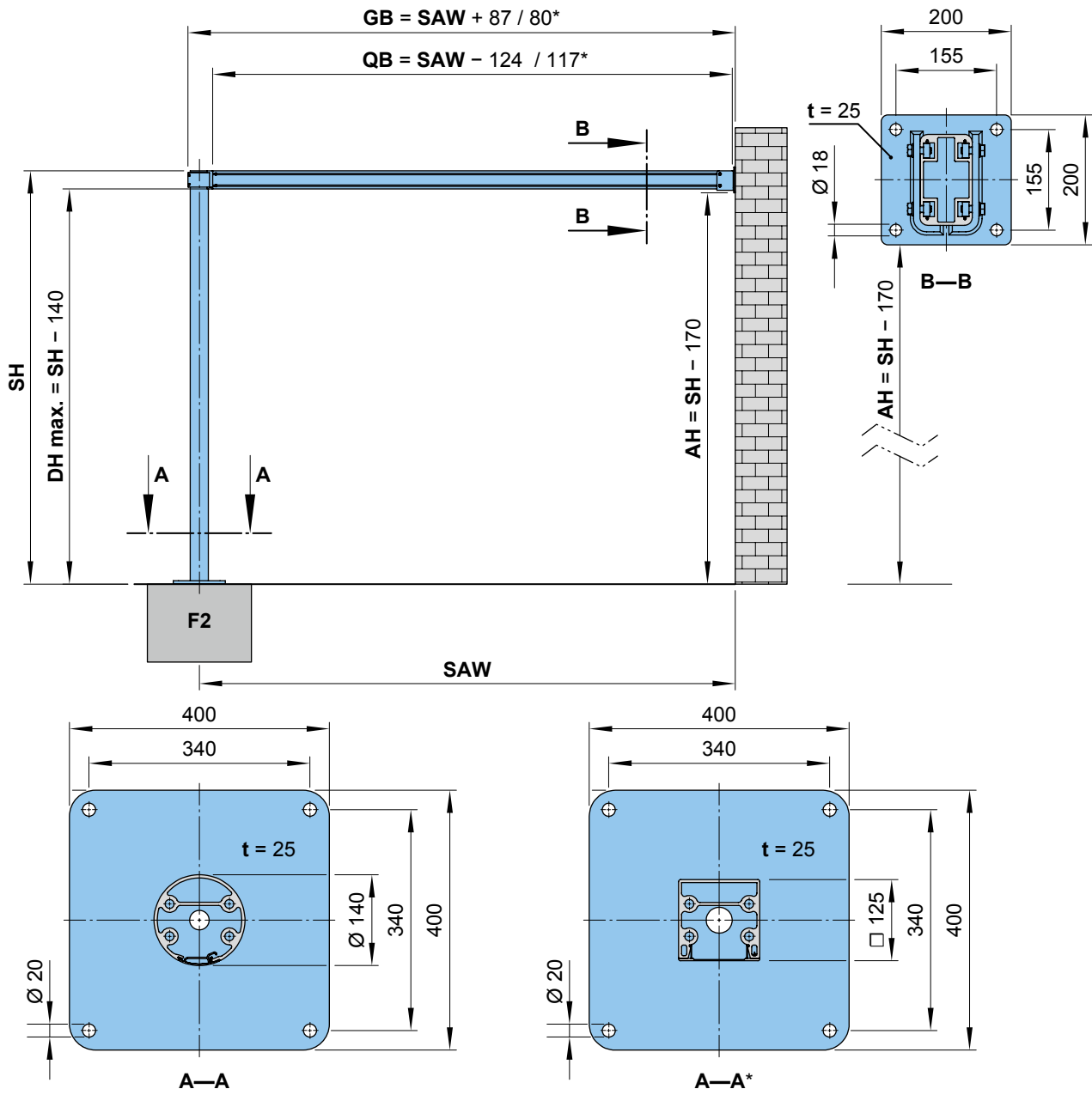
01
02
03
04
05
06
07

- * = information referring to square posts
- DH = headroom
- F2 = concrete foundation
- GB = total width = $M = SAM + 174 / 160^*$ mm
- M = overall awning width

- QB = length of cross beam
(max. length = 7000 mm) = $SAM - 204 / 190^*$ mm
 - SAM = *order dimensions* = post separation, centre to centre
 - SH = *order dimensions* = post height (standard: 3180 mm / max.: 4500 mm)
 - t = material thickness
- dimensions in mm

01 Overview of fixture dimensions

02 Wall sealing profile

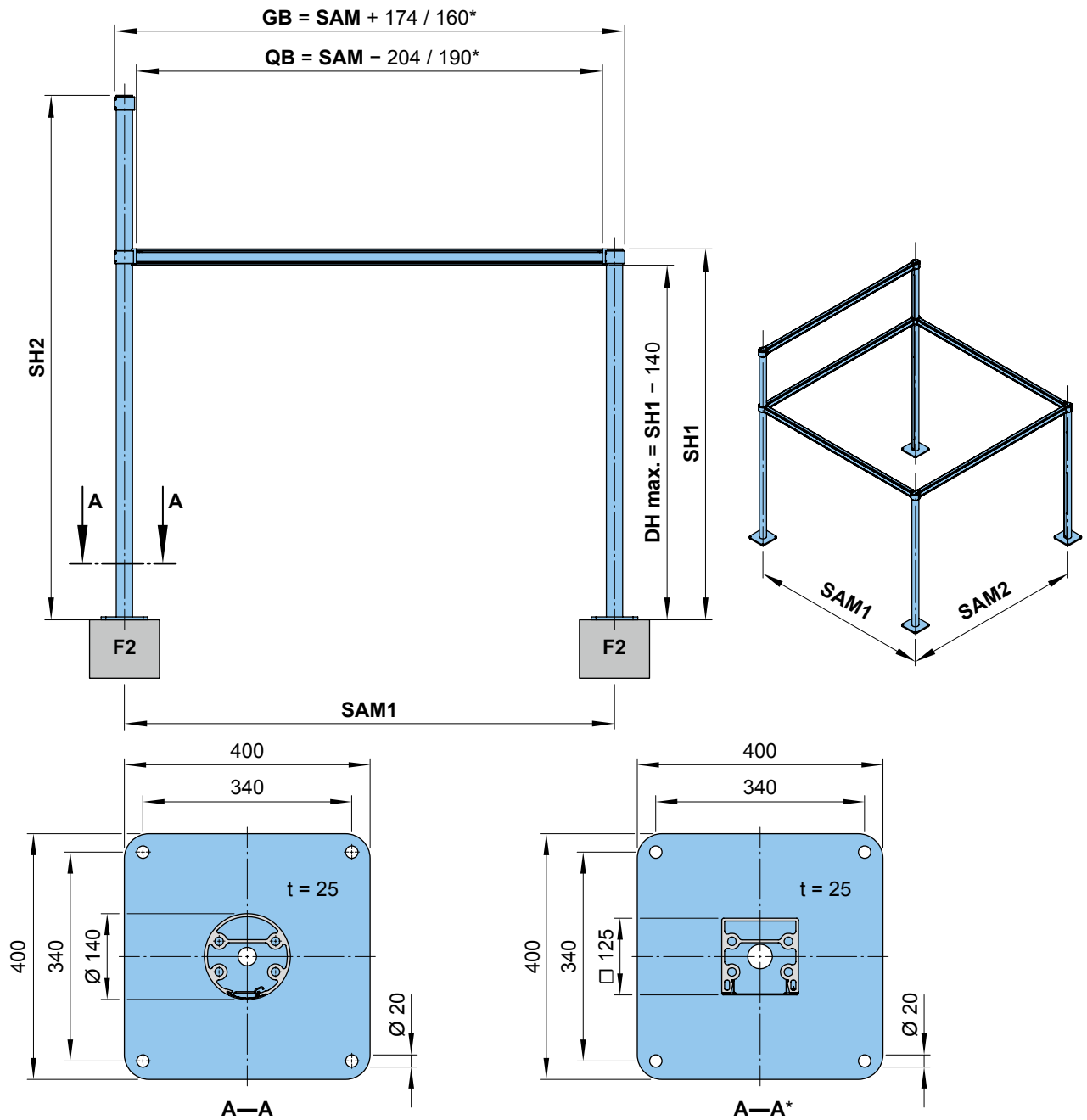


07

- AH** = fixture height = SH - 170 mm
 - DH** = headroom
 - F2** = concrete foundation
 - GB** = total width = SAW + 87 / 80* mm
 - QB** = length of cross-beam
(max. length = 7000 mm) = SAM - 124 / 117* mm
 - SAW** = *order dimension* = distance post centre to mounting surface
 - SH** = *order dimension* = post height (standard: 3180 mm / max.: 4500 mm)
 - t** = material thickness
- dimensions in mm

Overview of fixture dimensions

Different post heights



01
02
03
04
05
06
07

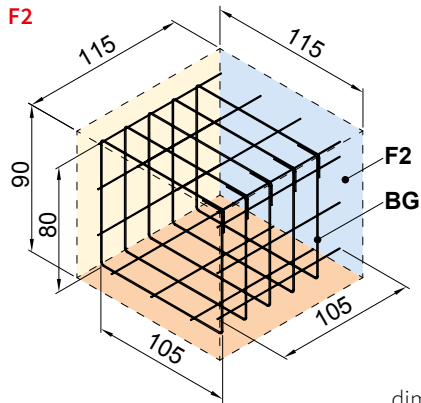
- * = information referring to square posts
- DH = headroom
- F2 = concrete foundation
- GB = total width = $M = SAM + 174 / 160^*$ mm
- QB = length of cross beam
(max. length = 7000 mm) = $SAM - 204 / 190^*$ mm
- SAM = *order dimensions* = post separation centre to centre
- SH = *order dimension* = post height (standard: 3180 mm / max.: 4500 mm)
- t = material thickness

dimensions in mm

01 **Concrete foundations**

To be supplied on site:

02 Concrete foundations owith a compressive strength complying with C25/30 (previously B25) with ra reinforcement cage made of
 03 rebar matting Q188.



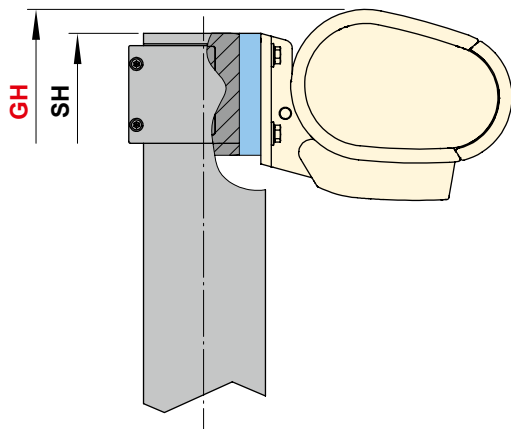
Fixture to concrete foundation F2

using Fischer marine-grade stainless steel anchor bolts FAZ II 16/50 and washers certified to DIN 9021 (or equivalent)

Alternatively fixture can be realised using the Krinner ground screws. Adapter sets for installation to these are available.

Dimensions overview

Overall height (GH) with different awning models



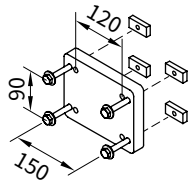
- GH** = overall height
- SH** = *order dimension* = support post height
(standard: 3180 mm / max.: 4500 mm)
- W** = awning pitch

Awning	GH (W=15°)
markilux 6000	SH + 25
markilux 5010	SH + 0
markilux 3300 pur	SH + 43
markilux 990	SH + 27
markilux 1710	SH + 53
markilux 1710 stretch	SH + 53
markilux 1600	SH + 59
markilux 1600 stretch	SH + 59
markilux 1650	SH + 59
markilux 930 swing	SH + 27
markilux 1300 basic	SH + 61
markilux 1700	SH + 53
markilux 1700 stretch	SH + 53
markilux 8800	SH + 40
markilux pergola	SH + 40

dimensions in mm

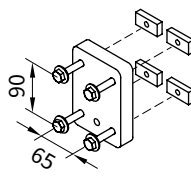
Fixtures, fittings and accessories

Fixture and accessories for folding-arm awnings



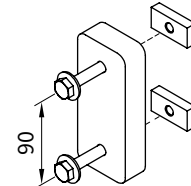
fixture options
for markilux 6000,
markilux 5010 to the
markilux construct
180 × 140 × 25 mm

76913.



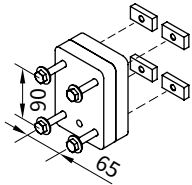
fixture options
for markilux 1600, 1700,
1710, 3300 pur to the
markilux construct
100 × 140 × 25 mm

76914.



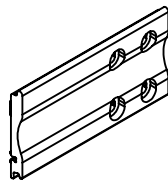
fixture options
for markilux 1600, 1700,
1710, 3300 pur to the
markilux construct
60 × 140 × 25 mm

76915.



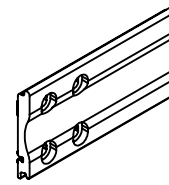
fixture options
for markilux 990,
markilux 930 swing
to the markilux construct

76916.



face fixture bracket
300 mm, right
for fixture of the
markilux 990,
markilux 930 swing
to the markilux construct

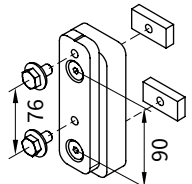
70600.



face fixture bracket
300 mm, left
for fixture of the
markilux 990,
markilux 930 swing
to the markilux construct

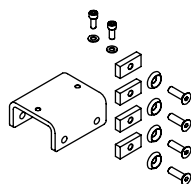
70617.

Fixture and accessories for the markilux 8800 or markilux pergola



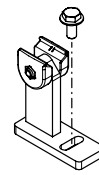
fixture options
for markilux pergola,
markilux 8800
to the markilux construct

76917.



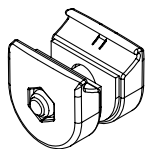
cross-beam adapter with
fixing material
for track bracket markilux
8800 to the markilux
construct

73441.



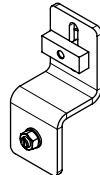
track bracket for post
with fixture options

73446.



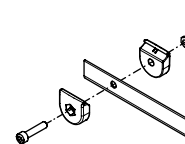
bracket for triangular
acrylic glass
at the top

79571.



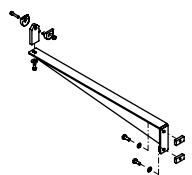
fixture bracket for
bottom channel rail
triangular cover

72914.



channel rail at top
with bracket
triangular cover

72911.



via stand-off brackets

73996.

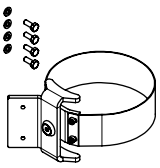
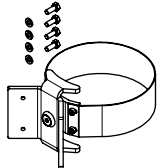
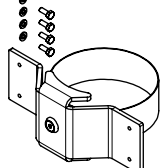
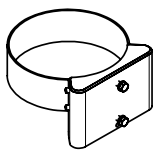
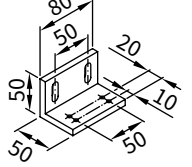
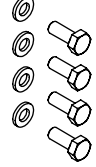
01
02
03
04
05
06

07

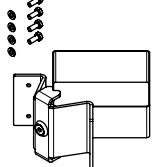
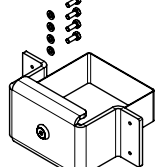
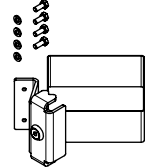
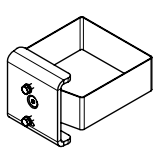
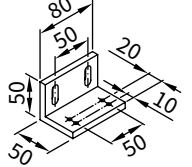
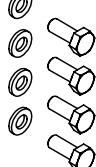
01
02
03
04
05
06

Fixtures, fittings and accessories

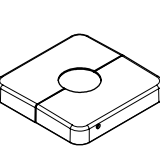
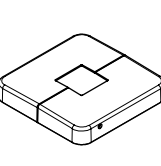
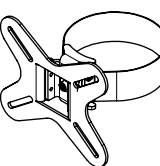
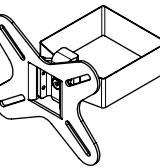
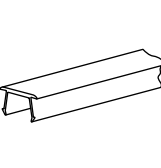
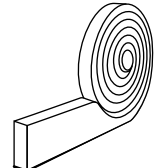
Fixture and accessories for vertical blinds or side screens – round posts

 <p>post fixture guide track corner, one side round post</p> <p>79558.</p>	 <p>post fixture guide track corner, both sides round post</p> <p>79556.</p>	 <p>post fixture guide track centre, both sides round post</p> <p>79557.</p>
 <p>post fixture guide track single and double bracket round post</p> <p>72206.</p>	 <p>additional angled bracket, bearing / gearbox / motor side for 72206. 50 × 50 × 80 mm (accessories 787211 for two brackets required)</p> <p>78719.</p>	 <p>accessories for two angled brackets 78719.</p> <p>787211</p>

Fixture and accessories for vertical blinds or side screens – square posts

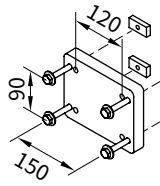
 <p>post fixture guide track corner, both sides square post</p> <p>72233.</p>	 <p>post fixture guide track centre, both sides square post</p> <p>72234.</p>	 <p>post fixture guide track corner, one side square post</p> <p>72235.</p>
 <p>post fixture guide track single and double bracket square post</p> <p>72232.</p>	 <p>additional angled bracket, bearing / gearbox / motor side for 72232. 50 × 50 × 80 mm (accessories 787211 for two brackets required)</p> <p>78719.</p>	 <p>accessories for two angled brackets 78719.</p> <p>787211</p>

Optional accessories

 <p>cover base plate for round post</p> <p>72263.</p>	 <p>footplate cover for square posts</p> <p>72261.</p>	 <p>universal bracket for post Ø 140 mm</p> <p>79559.</p>
 <p>universal bracket for angular post</p> <p>72238.</p>	 <p>cover profile for cross- beam</p> <p>77768.</p>	 <p>compression tape, PU soft foam material to eliminate gaps, in rolls of 15 m, gap size from 3 mm to 7 mm, with a minimum resistance to water ingress of 600 Pa, grey</p> <p>795721</p>

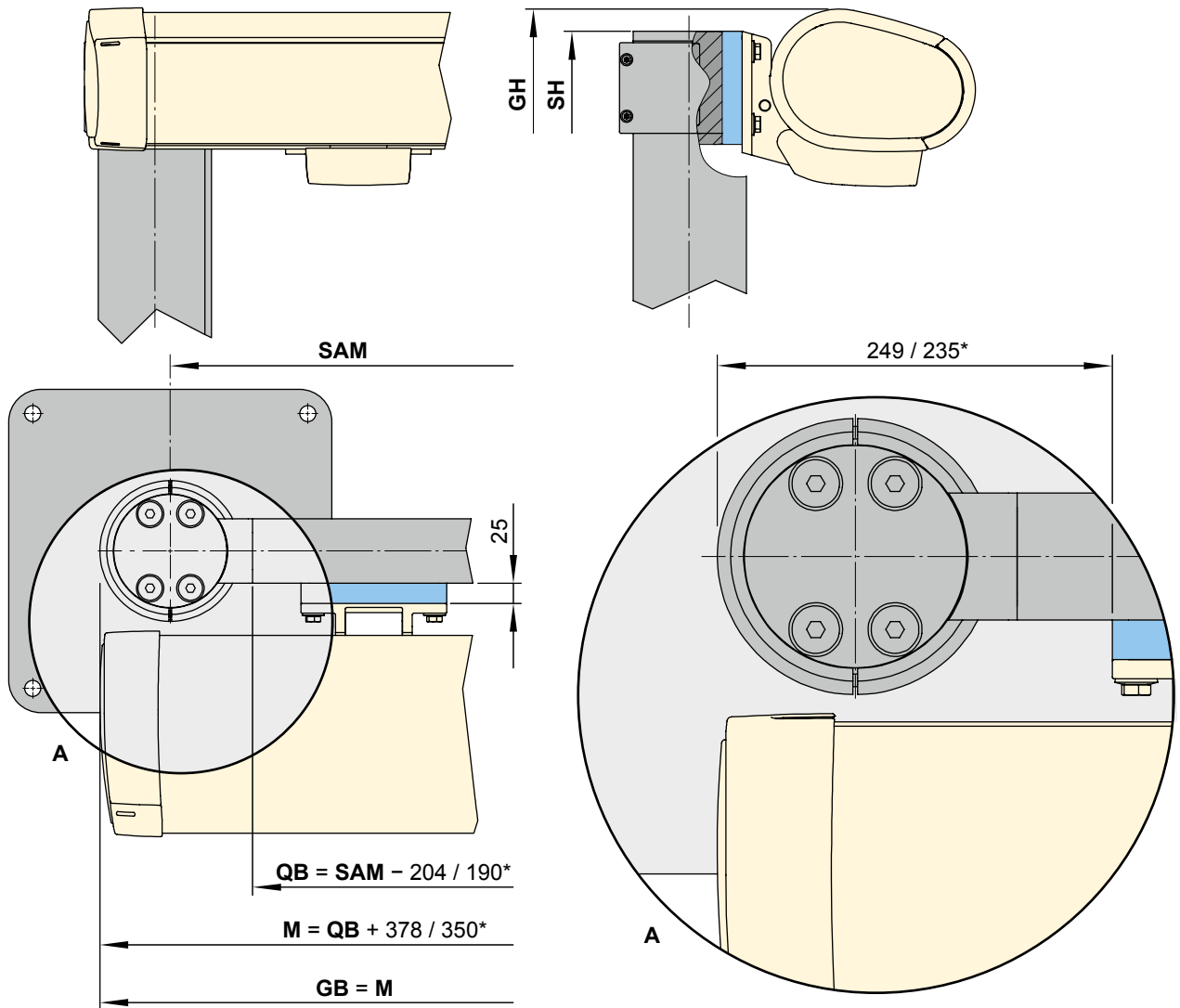
Installation dimensions

markilux 6000 / markilux 5010



fixture material for the
markilux 6000,
markilux 5010 to the
markilux construct
180 × 140 × 25 mm

76913.



- * = information referring to square posts
- GB** = total width = M
- GH** = total height: markilux 5010 = SH / markilux 6000 = SH + 25 mm (with the awning tilted at 15°)

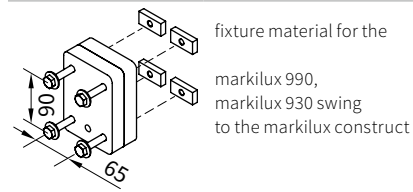
- M** = awning width = $QB + 378 / 350^*$
 - QB** = cross-beam width (max. length = 7000 mm) = $SAM - 204 / 190^*$ mm
 - SAM** = *order dimensions* = post separation centre to centre
 - SH** = *order dimension* = support post height (standard: 3180 mm / max.: 4500 mm)
- dimensions in mm

01
02
03
04
05
06

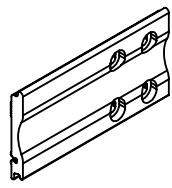
07

01 Installation dimensions

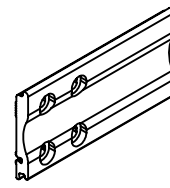
02 markilux 990 / markilux 930 swing



76916.

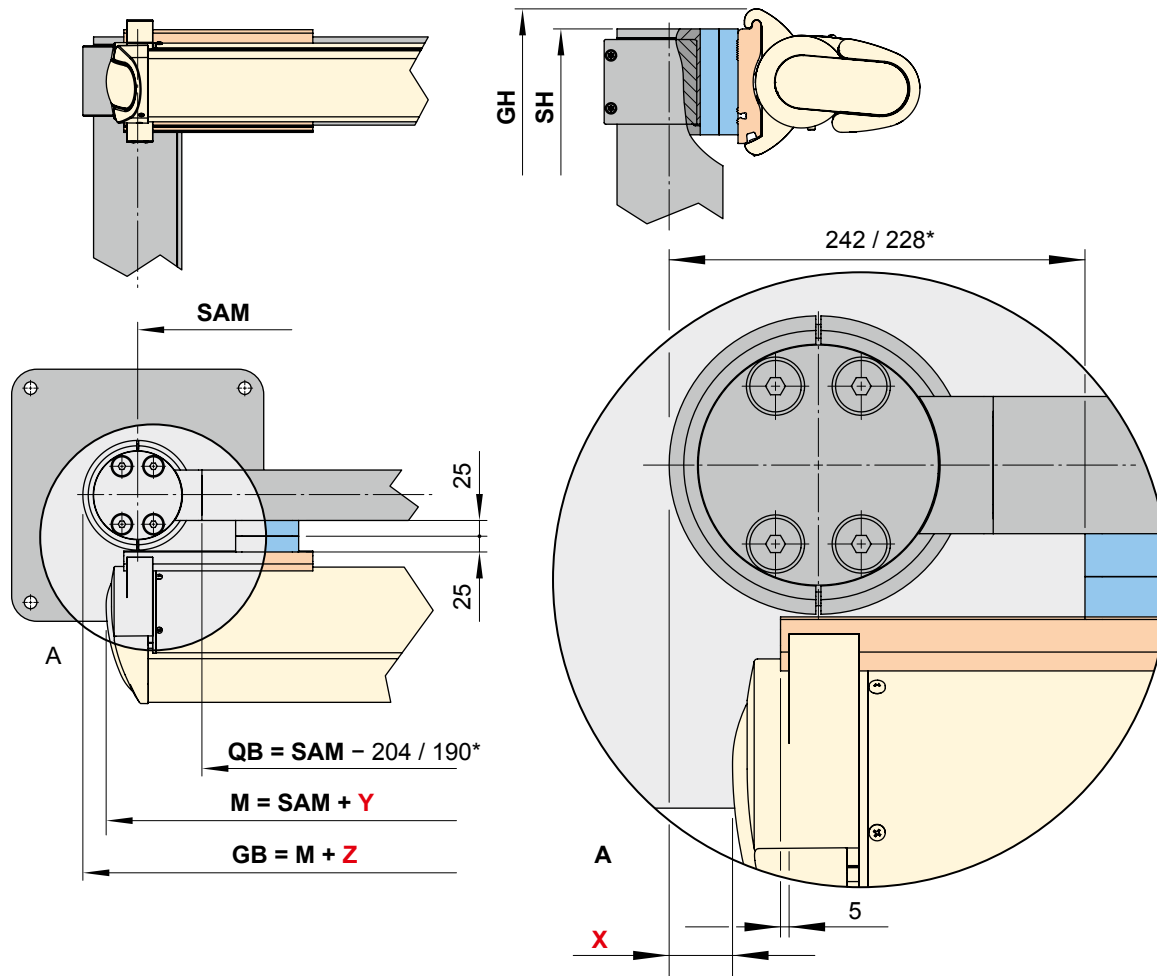


70600.

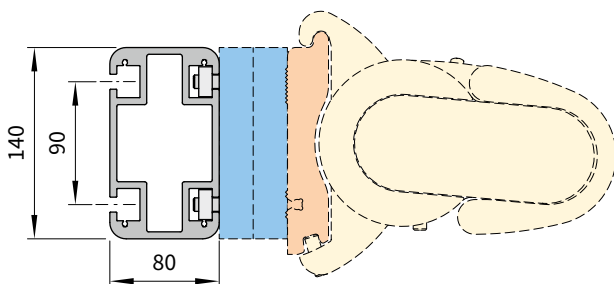


70617.

07



Dimension overview of cross-beam



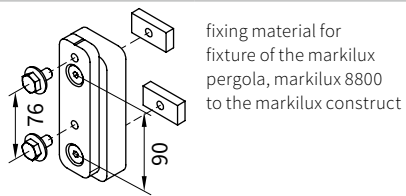
Awning	X	Y	Z
markilux 930 swing	47.5	79	95
markilux 990	37	100	74

- * = information referring to square posts
- GB = total width = M + Z
- GH = total height = SH + 27
- M = awning width = QB + 378 / 350*

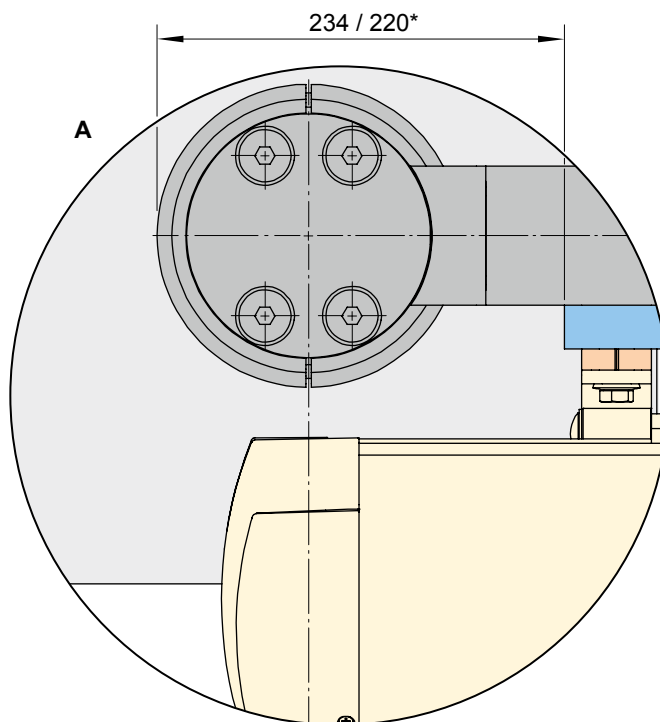
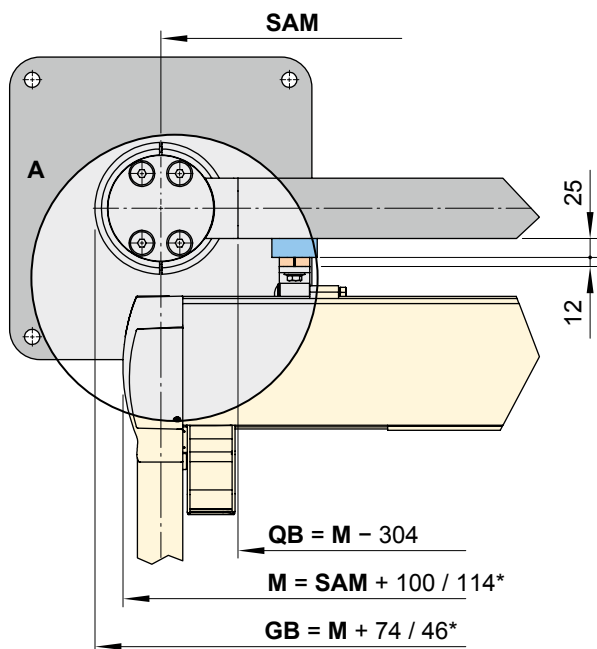
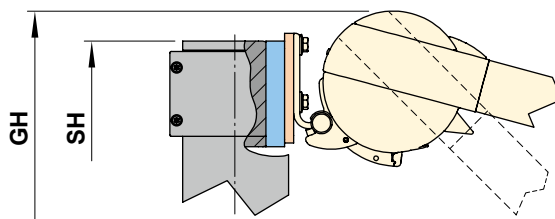
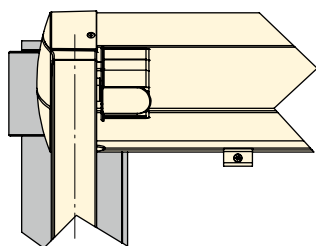
- QB = cross-beam width (max. length = 7000 mm) = SAM - 204 / 190* mm
 - SAM = order dimensions = post separation centre to centre
 - SH = order dimension = support post height
(standard 3180 mm / max. 4500 mm)
- dimensions in mm

Installation dimensions

markilux pergola / markilux 8800



76917.



- * = information on angular posts
- GB = total width = $M + 74 / 46^*$
- GH = total height = $SH + 40$
- M = awning width = $QB + 378 / 350^*$

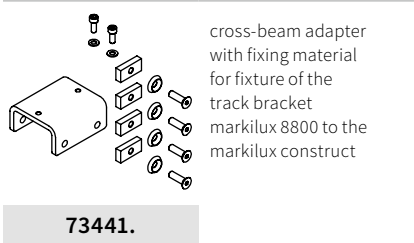
- QB = crossbar width (max. length = 7000 mm) = $SAM - 204 / 190^*$ mm
 - SAM = *order dimensions* = post separation, centre to centre
 - SH = *order dimension* = support post height
(standard: 3180 mm / max.: 4500 mm)
- dimensions in mm

01
02
03
04
05
06

07

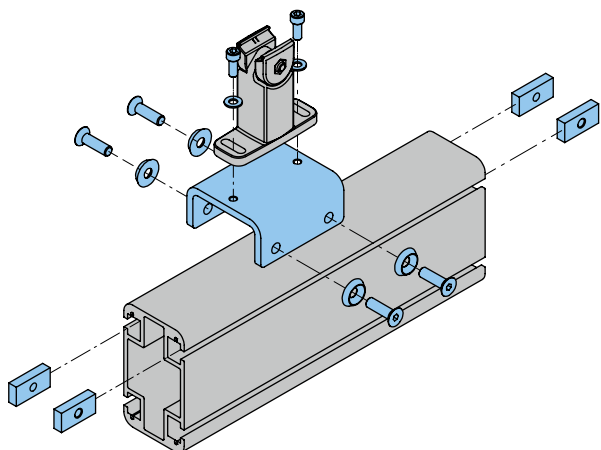
01 **Overview of fixture dimensions**

02 **Cross-beam adapter for track bracket markilux 8800**



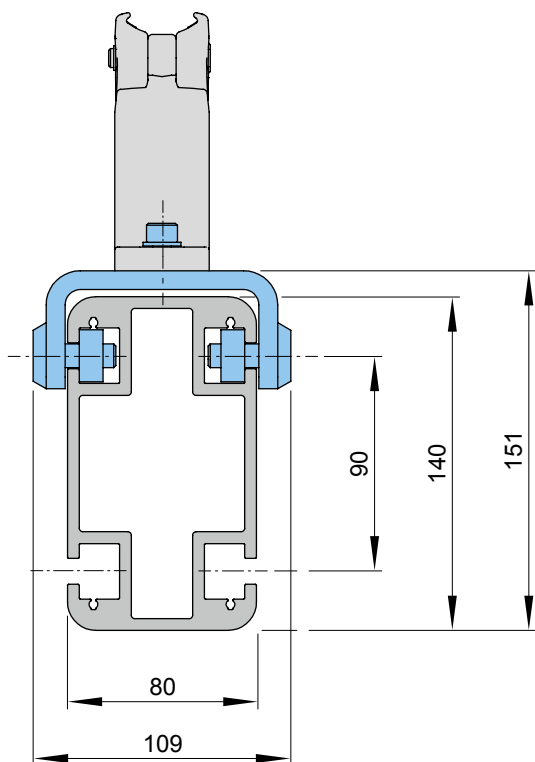
06

07



Dimensions overview

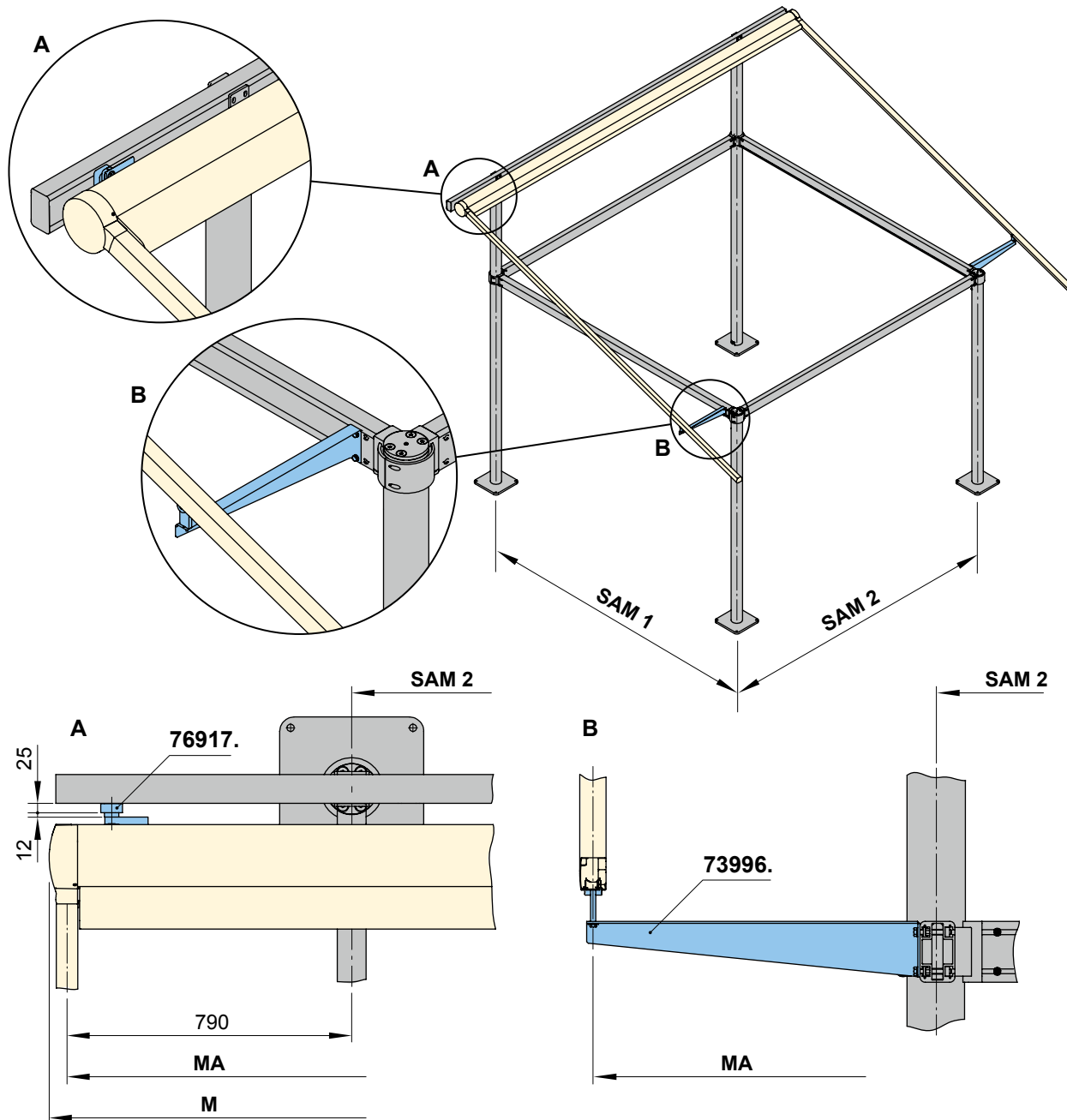
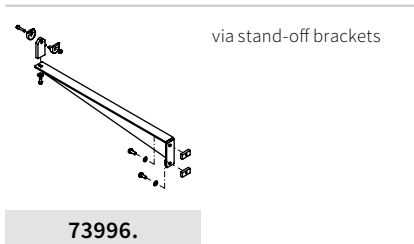
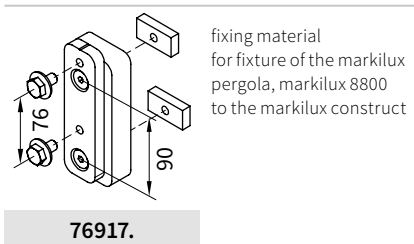
Cross-beam adapter for track bracket markilux 8800



dimensions in mm

Overview

markilux 8800 overhanging to the side (on request)



- M = overall awning width
- MA = awning fixture width = awning width between fixture points
- SAM = order dimensions = post separation centre to centre

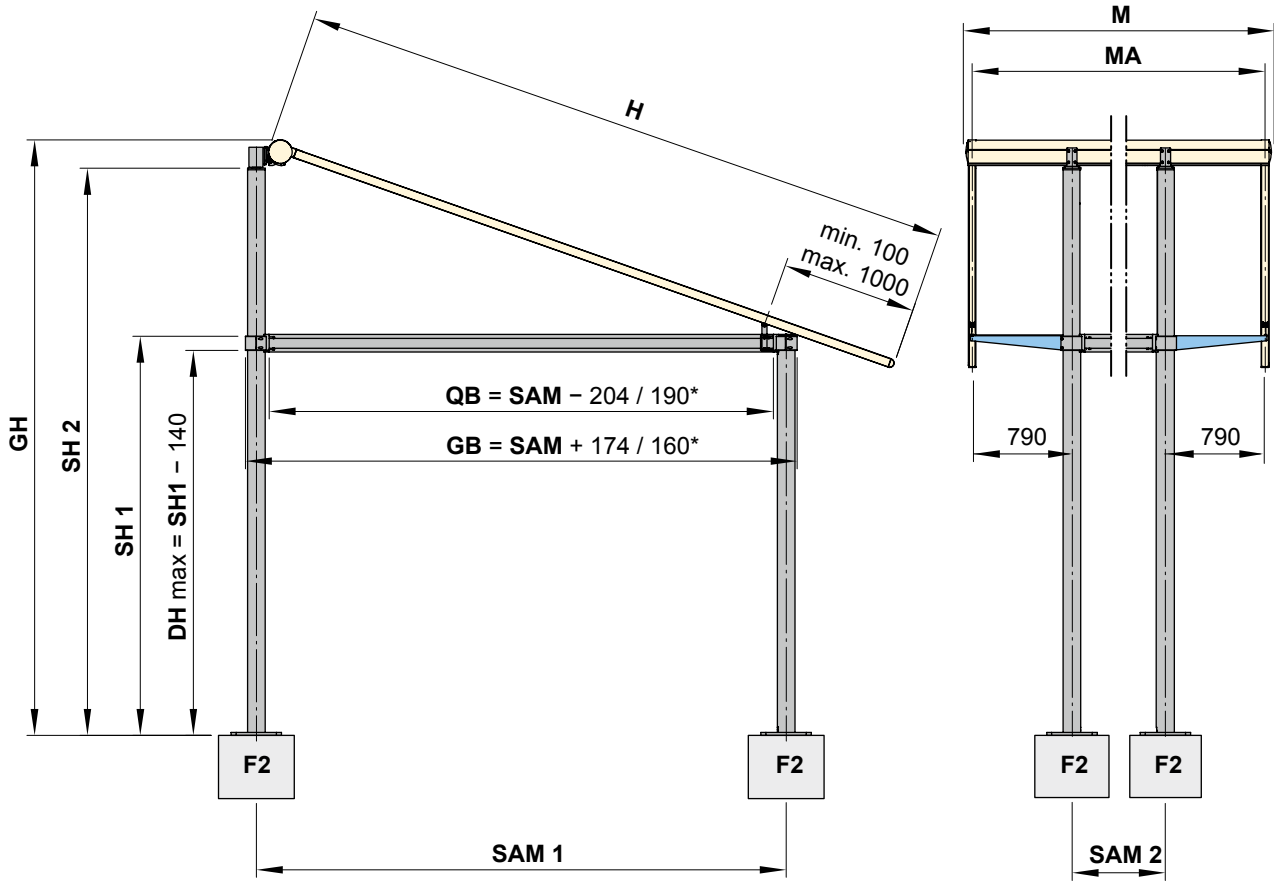
dimensions in mm

01
02
03
04
05
06
07

01
02
03
04
05
06
07

Dimensions overview

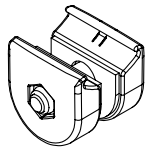
markilux 8800 overhanging to the side (on request)



- * = information referring to square posts
 - BG** = armoured cage made from rebar matting Q188
 - DH** = headroom
 - F2** = concrete foundation
 - GB** = overall width
 - GH** = overall height
 - H** = extension
 - max** = maximum
 - M** = overall awning width
 - MA** = awning fixture width = awning width between fixture points
 - SAM** = *order dimensions* = post separation, centre to centre of the outermost posts
 - SH** = *order dimension* = support post height (standard: 3180 mm / max.: 4500 mm)
 - QB** = length of cross-beam
- dimensions in mm

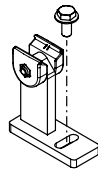
Overview

A folding-arm awning on one side with triangular acrylic glass window and cover profile



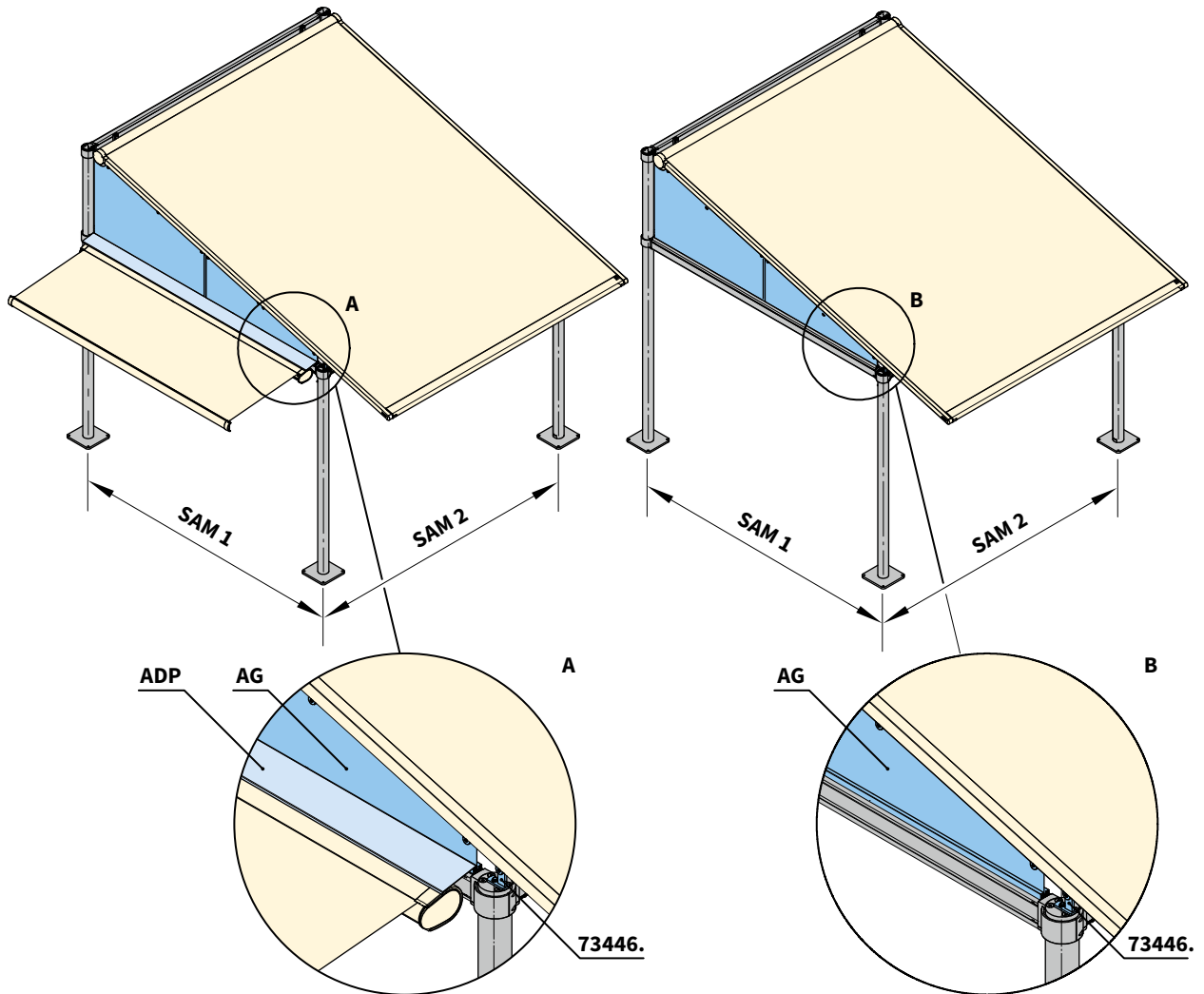
bracket for triangular acrylic glass at top

79571.



track bracket for post with fixture options

73446.



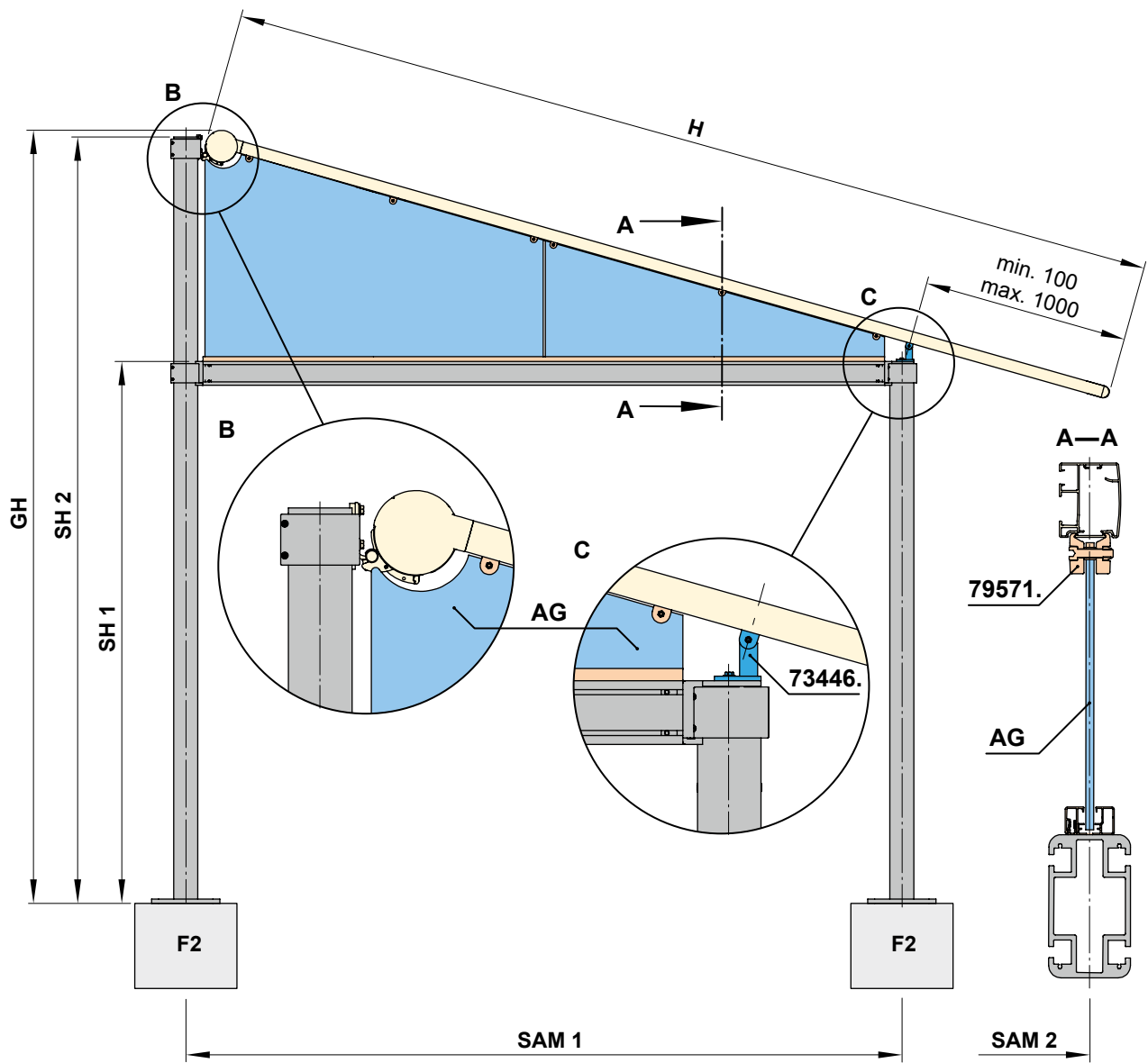
- ADP = cover profile for folding-arm awnings
- AG = acrylic glass
- SAM = order dimensions = post separation centre to centre

01
02
03
04
05
06

Overview of fixture dimensions

Triangular acrylic glass window

07

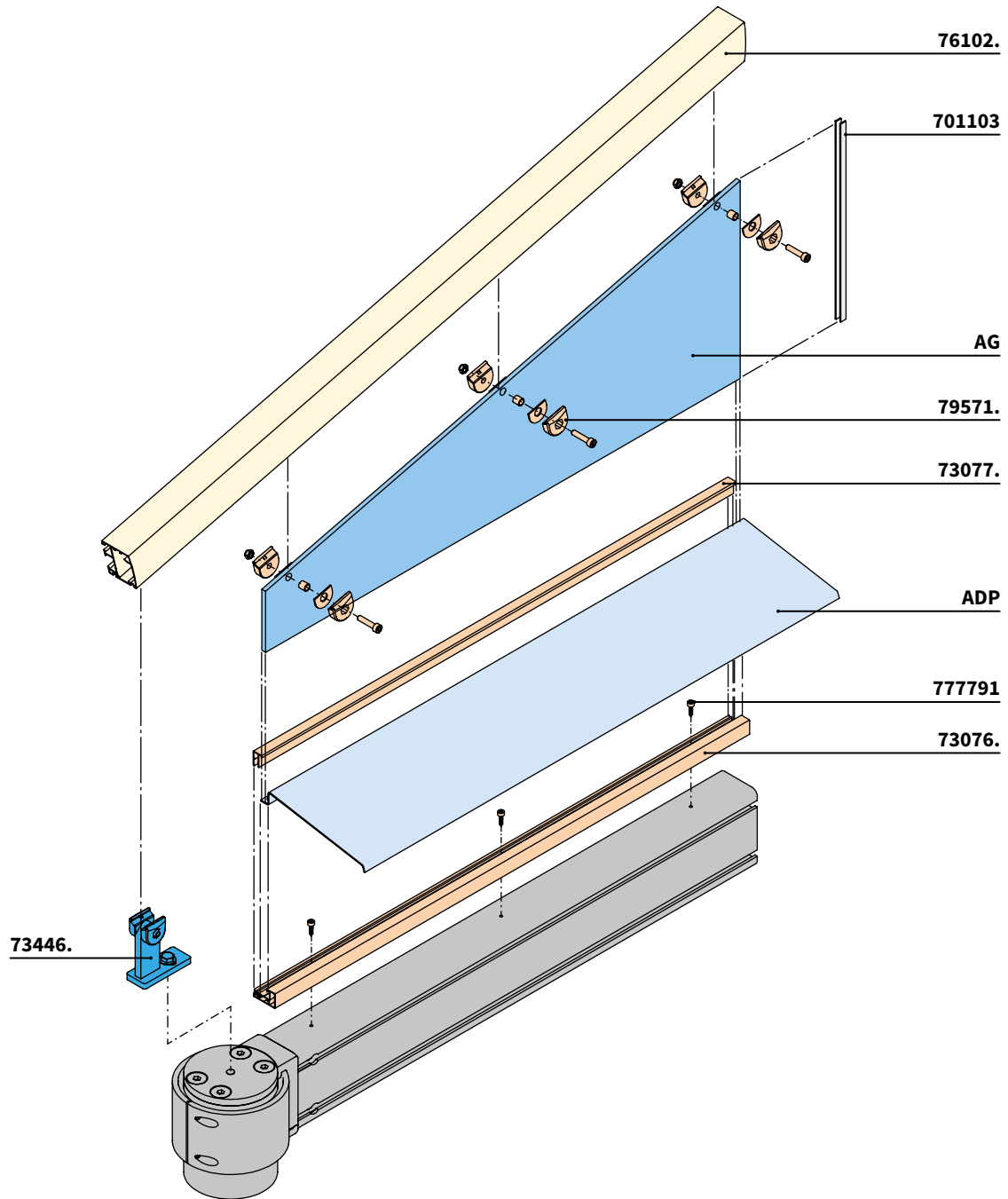


- AG = acrylic glass
- BG = armoured cage made from rebar matting Q188
- F2 = please view section "concrete foundation"
- GH = overall height

- H = extension
- SAM = *order dimensions* = post separation, centre to centre
- SH = *order dimension* = support post height
(standard: 3180 mm / max.: 4500 mm) dimensions in mm

Overview

Triangular acrylic glass window and cover profile for a folding-arm awning

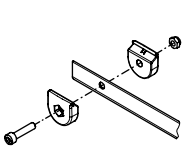
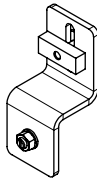
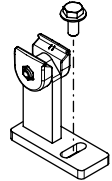


ADP = cover profile for folding-arm awnings

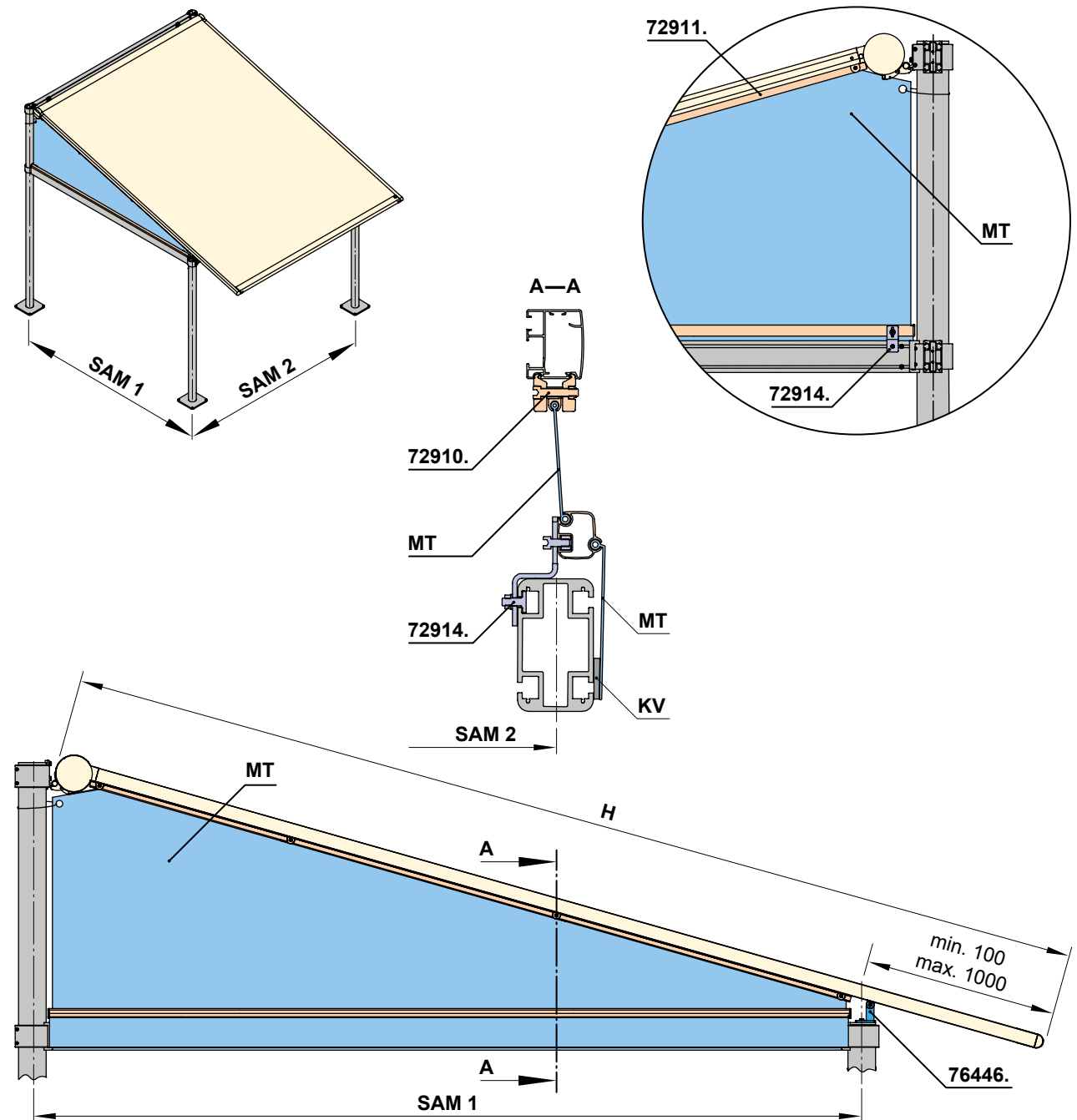
AG = acrylic glass

01 **Overview of fixture dimensions**

02 Triangular cover to the side

 <p>channel rail at top with bracket</p> <p>72911.</p>	 <p>fixture bracket for bottom channel rail</p> <p>72914.</p>	 <p>track bracket for post with fixing bolt</p> <p>73446.</p>
--	---	---

07



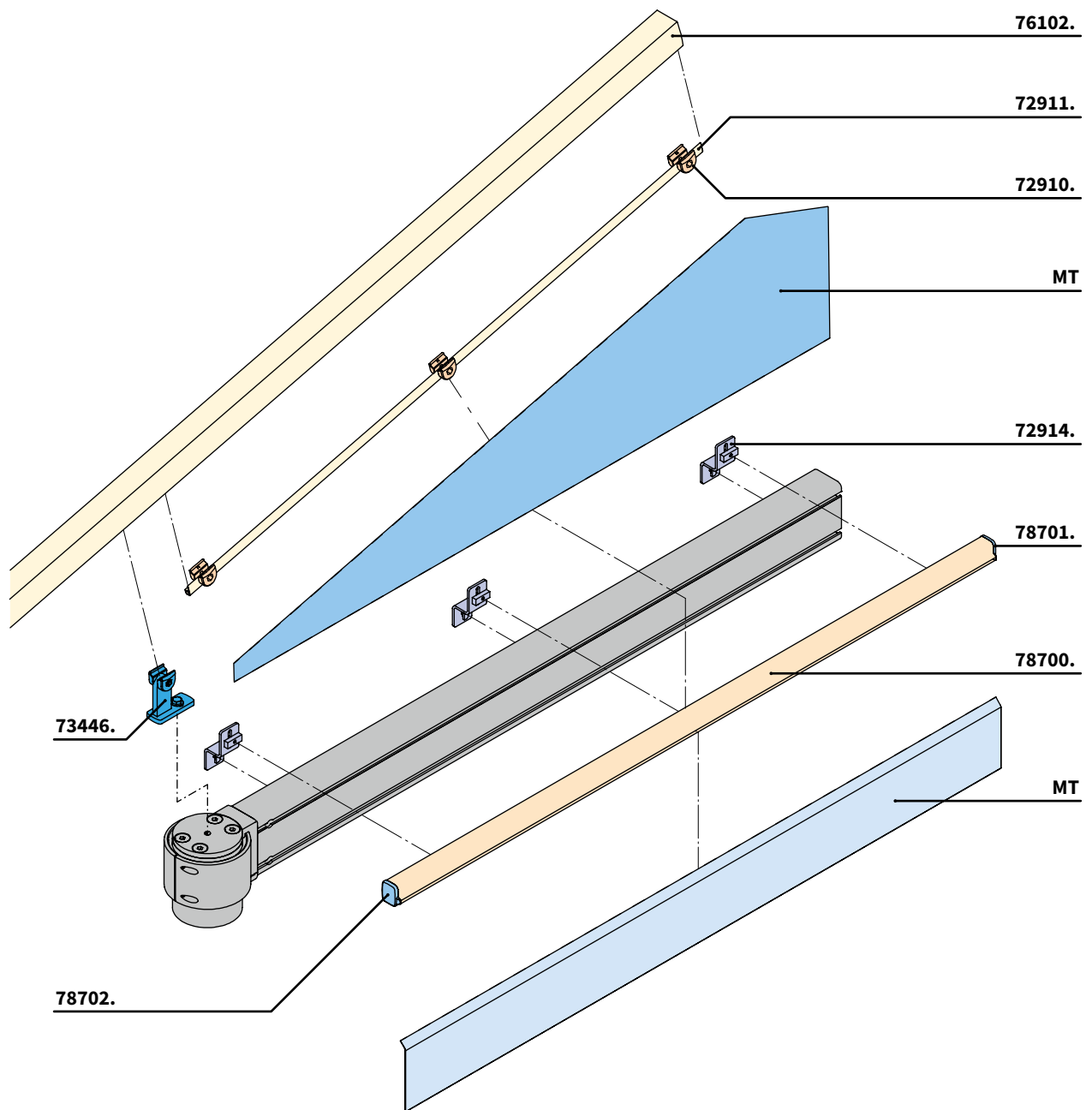
- H = extension
- KV = velcro fastener
- MT = awning cover
- SAM = order dimensions = post separation centre to centre

dimensions in mm

Overview

Triangular cover to the side

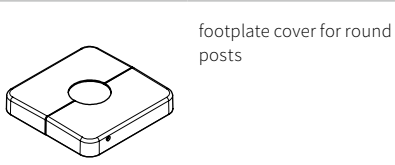
- 01
- 02
- 03
- 04
- 05
- 06
- 07**



MT = awning cover

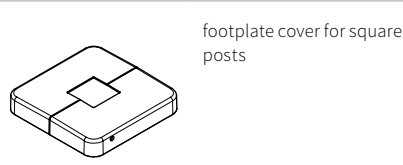
01 **Overview of fixture dimensions**

02 **Base covers**



footplate cover for round posts

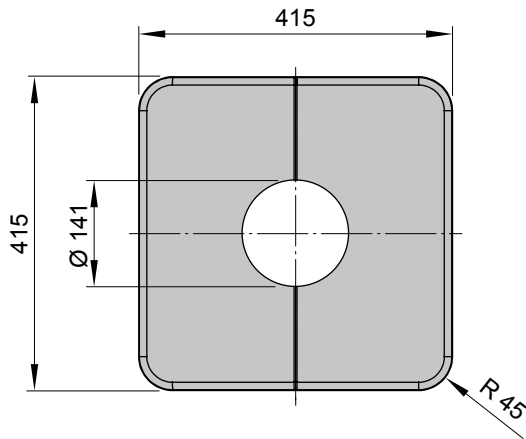
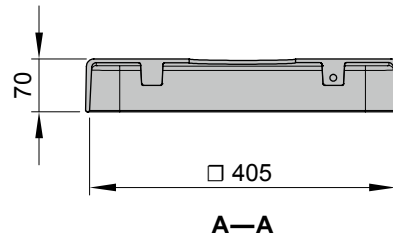
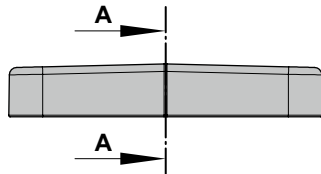
72263.



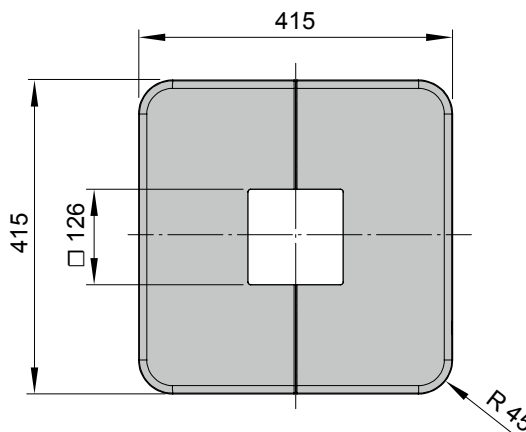
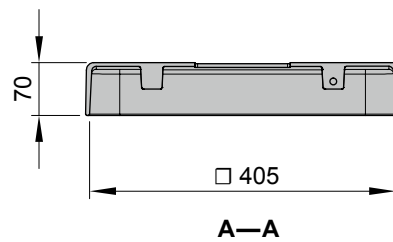
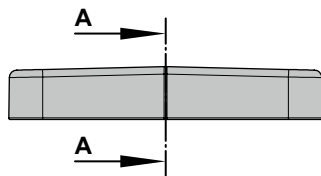
footplate cover for square posts

72261.

06 **Footplate cover for round posts**



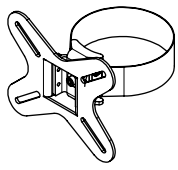
Footplate cover for square posts



dimensions in mm

Overview

Universal bracket for a round post; installation example: for mounting a board, television screen or something similar

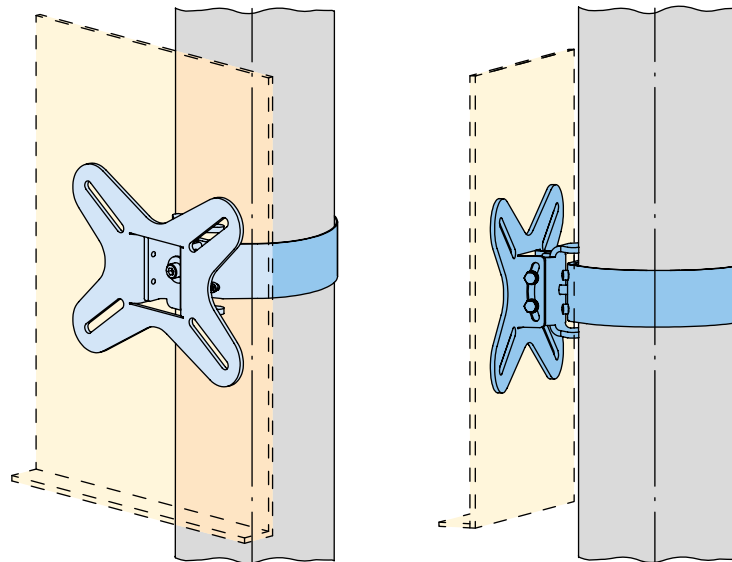


universal bracket for round post Ø 140 mm

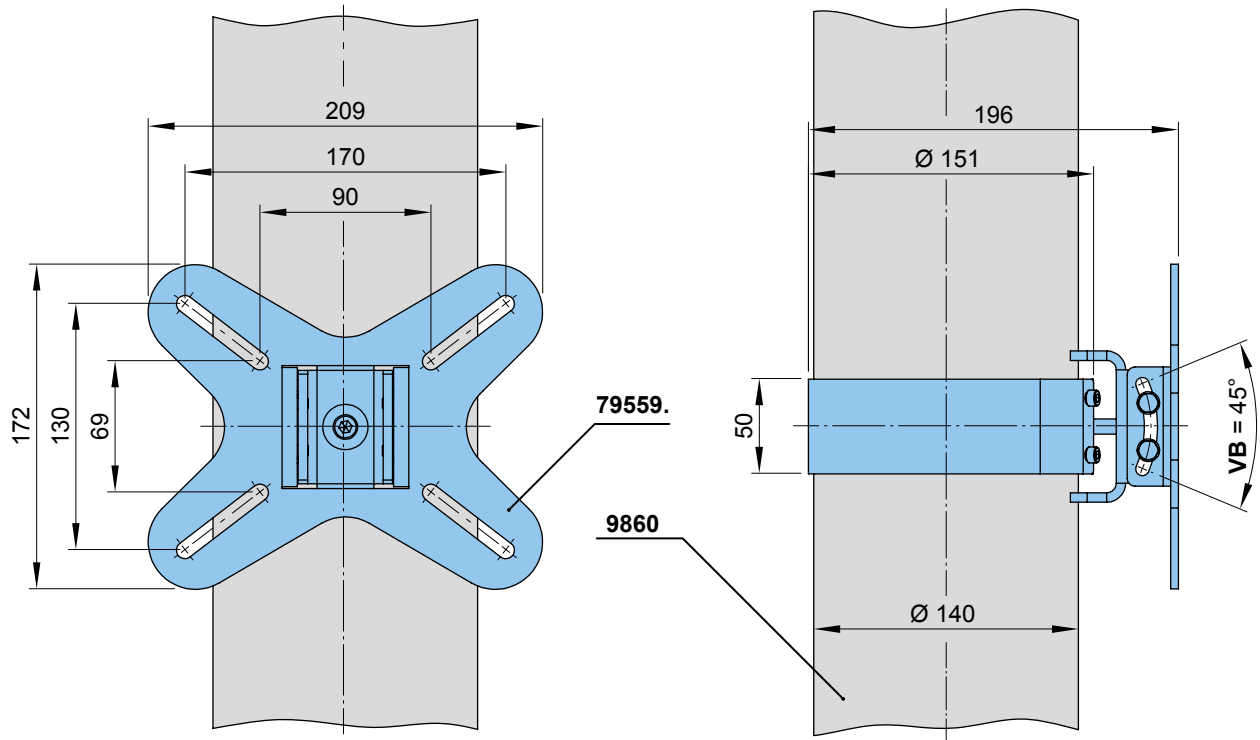
79559.

- 01
- 02
- 03
- 04
- 05
- 06

07



Overview of fixture dimensions



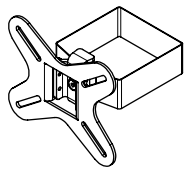
VB = adjustment range

dimensions in mm

01
02
03
04
05
06

Overview

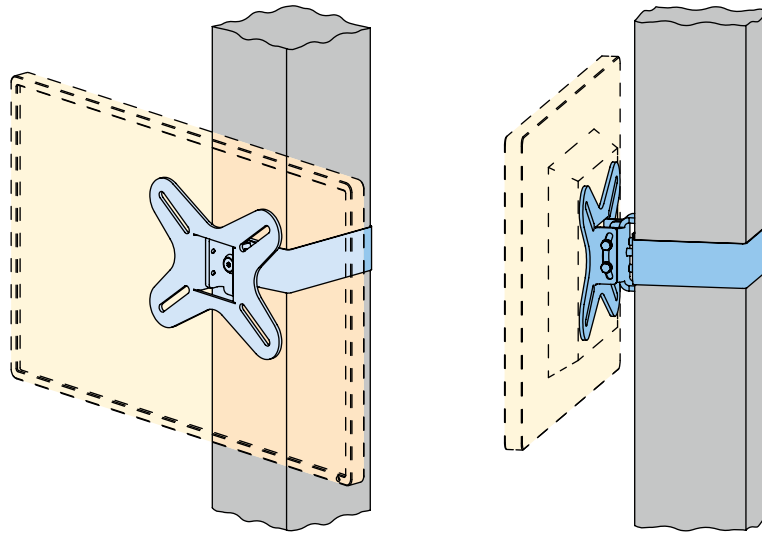
Universal bracket for a square post; installation example: for mounting a board, television screen or something similar



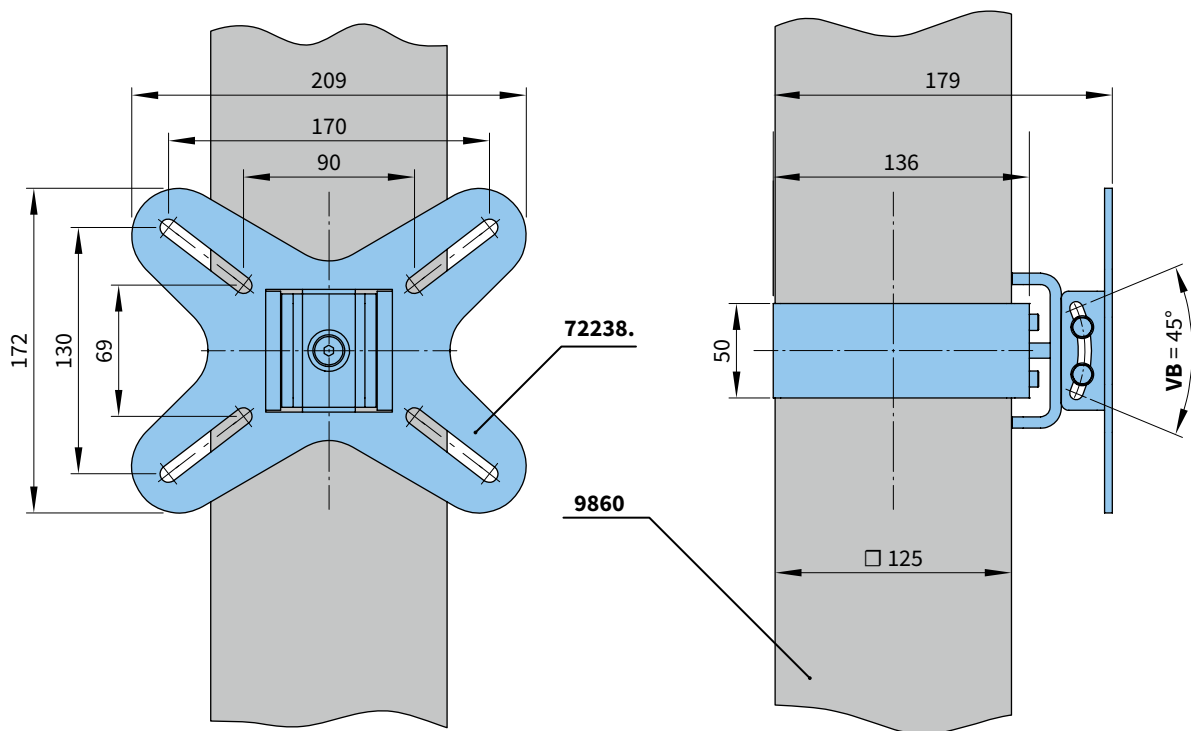
universal bracket for square post

72238.

07



Overview of fixture dimensions



VB = adjustment range

dimensions in mm